



**HARPER**

HÔME

Instruction manual **ENG**

Руководство по эксплуатации **RUS**

Нұсқаулығы, пайдалану **KAZ**



MICROWAVE OVEN

МИКРОВОЛНОВАЯ ПЕЧЬ

МИКРОТОЛҚЫНДЫ ПЕШ

**HMW-20ST03**



Thank you for purchasing the HARPER microwave oven! Read these instructions carefully before using your microwave oven, and keep it for future reference. We hope, our product will meet all your requirements and provide you with many years of good service.

## TABLE OF CONTENTS

- IMPORTANT SAFEGUARDS
- INSTALLATION
- CLEANING
- PRODUCT INSTRUCTION
- OPERATION OF CONTROL PANEL
- UTENSILS GUIDELINE
- COOKING TIPS
- MAINTENANCE
- CORRECT DISPOSAL
- TECHNICAL CHARACTERISTICS
- INCLUDES

IMPORTANT SAFETY INSTRUCTIONS  
READ CAREFULLY AND KEEP FOR FUTURE REFERENCE

## IMPORTANT SAFEGUARDS

The following basic precautions should always be followed when using electrical appliance:

1. Read all instructions before using.
2. Make sure the voltage in your living area corresponding to the one shown on the rating label of the appliance. And the wall socket is properly grounded.
3. To reduce the risk of fire in the oven cavity:
  - a. Do not overcook the food.
  - b. Remove wire twist ties from paper or plastic bags before placing bags in the oven.
  - c. Do not heat oil or fat for deep frying as the temperature of oil cannot be controlled.
  - d. After use wipe the waveguide cover with a damp cloth, followed by dry cloth to remove any food splashes and grease. Built-up grease may overheat and begin to cause smoke or catch fire.
  - e. If materials inside the oven should smoke or ignite, keep oven door closed, turn oven off and disconnect the power supply.
  - f. When heating food in plastic or paper containers, keep an eye on the oven due to the possibility of ignition.
4. To reduce the risk of explosion and sudden boiling:
  - a. **WARNING:** Liquids and other foods must not be heated in sealed container since they are liable to explode; Baby bottles fitted with a screw cap or teat are considered to be sealed containers.
  - b. Use the wide-mouthed container to cook liquid, and the cooked liquid should not be removed out immediately. Several moments should be waited before removing. In order to avoid possible hazards caused by delayed eruptive boiling of liquids.
  - c. Potatoes, sausage and chestnut should be peeled or pierced before cooking. Eggs in their shell, whole hard-boiled eggs should not be heated in microwave ovens since they may explode, even after microwave heating has ended.
  - d. The contents of feeding bottles and baby food jars are to be stirred or shaken and the temperature is to be checked before consumption, in order to avoid burns.

5. If the supply cord is damaged, it must be replaced by the manufacturer or its service agent or a qualified technician in order to avoid a shock hazard.
6. After cooking, the container is very hot. Using gloves to take out the food and avoid steam burns by directing steam away from the face and hands.
7. Slowly lift the furthest edge of dishes cover and microwave plastic wrap and carefully open popcorn and oven cooking bags away from the face.
8. To prevent the turntable from breaking:
  - a. Let the turntable cool down before cleaning.
  - b. Do not place hot foods or utensils on the cold turntable.
  - c. Do not place frozen foods or utensils on the hot turntable.
9. Make sure the utensils do not touch the interior walls during cooking.
10. Only use utensils that are suitable for use in microwave ovens.
11. Do not store food or any other things inside the oven.
12. Do not operate the oven without any liquid or food inside the oven. This would do damage the oven.
13. When the appliance is operated in the combination mode, children should only use the oven under adult supervision due to the temperatures generated.
14. Any accessories not recommended by the manufacturer may cause injuries to persons.
15. Do not use outdoors.
16. Save these instructions.
17. **WARNING:** If the door or door seals are damaged or the oven is malfunctioned, the oven must not be operated until it has been repaired by a competent person.
18. **WARNING:** It is hazardous for anyone other than a competent person to carry out any service or repair operation that involves the removal of a cover which gives protection against exposure to microwave energy.
19. If smoke is emitted, switch off or unplug the appliance and keep the door closed in order to stifle any flames.
20. Microwave heating of beverages can result in delayed eruptive boiling; therefore care must be taken when handling the container.

**21.** Do not use harsh abrasive cleaners or sharp metal scrapers to clean the oven door glass since they can scratch the surface, which may result in shattering of the glass.

**22.** The lamp of microwave oven is not intended for other purposes.

**23.** The appliances are not intended to be operated by means of an external timer or separate remote -control system.

**24.** This appliance is intended to be used in household and similar applications, such as:

- Staff kitchen areas in shops, offices and other working environments;
- Farm houses;
- By clients in hotels, motels and other residential environments;
- Bed and breakfast type environments.

**25.** The microwave oven is intended for heating food and beverages. Drying of food or clothing and heating of warming pads, slippers, sponges, damp cloth and similar may lead to risk of injury, ignition or fire.

**26.** This appliance can be used by children aged from 8 years and above and persons with reduced physical, sensory or mental capabilities or lack of experience and knowledge if they have been given supervision or instruction concerning use of the appliance in a safe way and understand the hazards involved. Children shall not play with the appliance. Cleaning and user maintenance shall not be made by children unless they are older than 8 and supervised. Keep the appliance and its cord out of reach of children less than 8 years.

**27.** This appliance is not intended for use by persons (including children) with reduced physical, sensory or mental capabilities, or lack of experience and knowledge, unless they have been given supervision or instruction concerning use of the appliance by a person responsible for their safety.

**28.** Children should be supervised to ensure that they do not play with the appliance.

**29.** A steam cleaner is not to be used.

**30.** The door or the outer surface may get hot when the appliance is operating.

**31. WARNING:** Accessible parts may become hot during use. Young children should be kept away.

**32.** During use the appliance becomes hot. Care should be taken to avoid touching heating elements inside the oven.

**33.** The surfaces are liable to get hot during use.



**CAUTION: HOT SURFACE**

**Household use only.**

**INSTALLATION**

1. Take out all the packing. If there is a safe film over the oven, tear it off before Use. Check carefully for damage. If any, immediately notify dealer or send to the manufacturer's service center.
2. Microwave ovens must be placed under dry and non-corrosiveness environments, kept away from heat and humidity, such as gas burner or water tank.
3. To ensure sufficient ventilation, the distance of the back of microwave to the wall should be at least 10 cm, the side to the wall should be at least 5 cm, the free distance above the top surface at least 20 cm. the distance of the microwave to the ground should be at least 85 cm.
4. The position of the oven shall be such that it is far from the TV, Radio or antenna as picture disturbance. The distance should be more than 5m.
5. The appliance must be positioned so that the plug is accessible, and must ensure a good grounding in case leakage, ground loop can be formed to avoid electric shock.
6. The microwave oven must be operated with the door closed.
7. The microwave oven must not be placed in a cabinet. The microwave oven is intended to be used freestanding.
8. As there is manufacturing residue or oil remained on the oven cavity or heat element, it usually would smell the odor, even a slight smoke, It is normal case and would not occur after several times use, keep the door or window open to ensure good ventilation. So it is strongly recommended to place a cup of water in the turntable, setting at high power and operate for several times.

**CLEANING**

**MICROWAVE OVEN CARE**



**CAUTION**

The oven should be cleaned regularly and any food deposits removed.



**WARNING**

1. Remove the power cord from the wall outlet before cleaning. Don't immerse the appliance in water or other fluids when cleaning.

2. Failure to maintain the oven in a clean condition could lead to deterioration of the surface that could adversely affect the life of the appliance and possibly result in a hazardous situation.
3. Never use hard detergent, gasoline, abrasive powder or metal brush to clean any part of the appliance.
4. Do not remove the waveguide cover.
5. When the microwave oven has been used for a long time, there may be some strange odors exist in oven, Following 3 methods can get rid of them:
  - a. Place several lemon slices in a cup, then heat with high Micro Power for 2-3 min.
  - b. Place a cup of red tea in oven, then heat with high micro power.
  - c. Put some orange peel into oven, and then heat them with high Micro Power for 1 minute.
6. **WARNING:** Only allow children to use the oven without supervision when adequate instructions have been given so that the child is able to use the oven in a safe way and understands the hazards of improper use.

#### **TIPS FOR CLEANING**

Details for cleaning door seals, cavity and adjacent parts:

##### **Exterior:**

Wipe the enclosure with a dampened soft cloth.

##### **Door:**

Using a dampened soft cloth, wipe clean the door and window.

Wipe the door seals and adjacent parts to remove any spill or spatter.

Wipe the control panel with a slightly dampened soft cloth.

##### **Interior walls:**

Wipe clean the cavity with a dampened soft cloth.

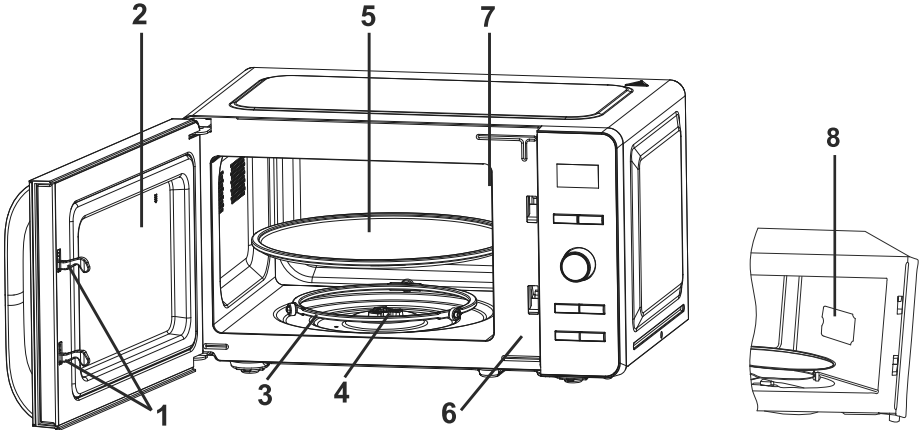
Wipe clean the waveguide cover to remove any food splashed.

Turntable/ Rotation ring/ Rotation axis:

Wash with mild soap water.

Rinse with clean water and allow drying thoroughly.

**PRODUCT INSTRUCTION**



**1. Door lock**

Microwave oven door must be properly closed in order for it to operate

**2. Viewing window**

Allow user to see the cooking status

**3. Rotating axis**

The glass turntable sits on the axis; the motor underneath it drives the turntable to rotate

**4. Rotating ring**

The glass turntable sits on its wheels; it supports the turntable and helps it to balance when rotating

**5. Turntable**

The food sits on the turntable, its rotation during operation helps to cook food evenly

**⚠ WARNING**

- Place the rotating ring first
- Fit the turntable onto the rotating axis and make sure that it is geared in properly

**6. Control panel**

See below in details (the control panel is subject to change without prior notice)

**7. Waveguide cover**

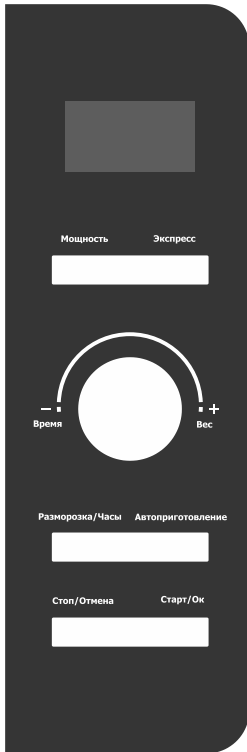
It is inside the microwave oven, next to the wall of control panel.



## WARNING

Never remove the waveguide cover

### OPERATION OF CONTROL PANEL



#### 1. BEFORE COOKING

The LED flashes 3 times when plugged in power supply. Then it flashes “:”, prompting you to input the cooking menu and time.

#### 2. TIME/WEIGHT KNOB

You can increase or decrease cooking time, weight during operation by turning the knob.

#### 3. PAUSE/CANCEL

At the initial or input stage: press once to cancel input programs and resume initial stage.

During cooking: press once to stop oven operation, press twice to cancel cooking programs.

#### 4. AUTO REMINDER

When your preset cooking procedure have finished, the LED Display will show End and three beeps sound will be heard to prompt you to take out food. If you do not press **Pause/Cancel** button once or open the door, the beep will be sounded at an interval of 3 minutes.

#### 5. INSTANT COOKING

On the standby status, press **Instant/Start** button, the oven will start cooking with high power; system default cooking time is 1 minute. You can increase or decrease cooking time by turning the knob.

#### 6. CLOCK SETTING

Clock button make it available for you to input current or preset time when “:” flashes onto LED display after plugged in, or try to skip it over to continue if unnecessary.

Example: to set 12:30		
	Steps	Display
1	After power-up, the colon flashes	1:00
2	Press and hold <b>Defrost/ Clock</b> button for 3 seconds	1:00

3	Turn <b>Time/Weight</b> knob to set exact hours.	12:00
4	Press <b>Defrost/ Clock</b> button once again.	12:00
5	Turn <b>Time/Weight</b> knob to set exact minutes.	12:30
6	Press <b>Defrost/ Clock</b> button once again or wait for 60 seconds, and the numbers will go steadily.	

## 7. MICROWAVE COOKING

This function is for cooking and heating food. Press **Micro Power** button, LED will cycle to show 100P—80P—60P — 40P— 20P.

High power	100% microwave power. Applicable for quick and thorough cooking
Medium High power	80% microwave power. Applicable for medium express cooking
Medium power	60% microwave power. Applicable for steaming food
Medium Low power	40% microwave power. Applicable for defrosting food
Low power	20% microwave power. Applicable for keeping warm



### CAUTION

- a. The max time which can be set is 60 minutes
- b. Never operate the oven empty.
- c. At the maximum microwave power, the oven will automatically lower the power after a certain time of cooking to lengthen the service life.
- d. If you turn the food during operation, press the **Instant/Start** button once and the preset cooking procedure will continue.
- e. If you intend to remove the food before the preset time, you must press **Pause/Cancel** button once to clear the preset procedure to avoid unintended operation of next time use.

Example: To cook at P80 for 10 minutes.

	Steps	Display
1	After power-up, the colon flashes	1:00
2	Select the desired microwave power by pressing <b>Micro Power</b> button consecutively	80P

3	Set cooking time by turning <b>Time/Weight</b> knob	10:00
4	Press <b>Instant/Start</b> button to start and LED will count down to show running time.	

## 8. EXPRESS

Press Express button LED display will cycle to show 0:30, 1:00, 1:30.

This function will allow you to heat a cup of water or beverage conveniently, omitting the steps of setting time. Choose the proper time depending on the beverage capacity.

Example: To cook with express for 1 minute		
	Steps	Display
1	After power-up, the colon flashes	1:00
2	Press <b>Express</b> button consecutively to select desired menu	1:00
3.	Start cooking by pressing <b>Instant/Start</b> button	

## 9. DEFROST

This function use for defrost food. Press the **Defrost/Clock** button and the LED display will cycle to show d.1-d.2-d.3.

d.1	For defrosting meat, the weight range from 0.1 to 2.0 kg.
d.2	For defrosting poultry, the weight range from 0.2 to 3.0kg.
d.3	For defrosting seafood, the weight range from 0.1 to 0.9kg.



### CAUTION

- a. It is necessary to turn over the food during operation to obtain uniform effect.
- b. Usually defrosting will need longer time than that of cooking the food.
- c. If the food can be cut by knife, the defrosting process can be considered completed.
- d. Microwave penetrates around 4cm into most food
- e. Defrosted food should be consumed as soon as possible, it is not advised to put back to fridge and freeze again.

Example: To defrost 0.4kg poultry		
	Steps	Display
1	After power-up, the colon flashes	1:00
2	Press <b>Defrost/ Clock</b> button once to set the food kind.	d.2

3	Turn <b>Time/ Weight</b> knob to set the defrost weight	0.4
4	Start cooking by pressing <b>Instant/Start</b>	
5	During defrosting, beep sounds will be heard two times to prompt you turn over the food. Open the door and turn over the food. Then close the door. Press <b>Instant/Start</b> button again to continue defrosting	

## 10. AUTO COOKING

The oven has default cooking menu for simple operation. When the LED flashes colon, turn the Auto Cooking knob and LED will cycle to show A.1, A.2 ..... A.8

Choose the appropriate menu according to the food type and weight and strictly observe the directions in below table, otherwise the cooking effect will be largely influenced.

Display	Kind	Method
A.1	<b>Popcorn</b>	Suitable for popping a bag of corn, which is available in the market, weighted 0.1 kg.
A.2	<b>Reheat</b>	All together there are five choices (0.2, 0.4, 0.6, 0.8, 1.0 kg)
A.3	<b>Beverage</b>	All together there are three choices (1, 2, 3 cup , about 250 ml/cup ).
A.4	<b>Pizza</b>	All together there are two choices (1,2 piece ).
A.5	<b>Potato</b>	Cooking the potato strips, cut into 5mm width and height, length. Total weight is about 0.45 or 0.65 kg. Place the strips on a large dish and cover the dish with a thin film to prevent water loss.
A.6	<b>Vegetable</b>	All together there are five choices (0.1, 0.2,0.3,0.4,0.5 kg)
A.7	<b>Meat</b>	All together there are five choices (0.1, 0.2,0.3,0.4,0.5 kg)
A.8	<b>Fish</b>	All together there are five choices (0.1, 0.2,0.3,0.4,0.5 kg)

### CAUTION

a. The temperature of food before cooking would be 20-25°C. Higher or lower temperature of the food before cooking would require increase or decrease of cooking time.

b. The temperature, weight and shape of food will largely influence the cooking effect. If any deviation has been found to the factor noted on above menu, you can adjust the cooking time for best result.

Example: Steam 0. 5 kg fish		
	Steps	Display
1	After power-up, the colon flashes	1:00
2	Press <b>Auto Cooking</b> button to set the cooking menu	A.8
3	Turn <b>Time/ Weight</b> knob to set the set weight	0.5
4	Start cooking by pressing <b>Instant/Start</b> button, and LED will count down to show running time.	

## 11. AUTOMATIC STARTING (DELAYED FUNCTION)

If you do not want the menu be started immediately, you can preset the cooking menu and time and the preset menu will be automatically started at your set time. The setting will consist of 2 steps:

- Setting the current clock;
- Setting the cooking menu and time.

Example: Now it is 12:30 clock, if you hope that the microwave oven will automatically start cooking with 100P microwave power for 9 minutes and 30 seconds at 14:20		
	Steps	Display
1	After power-up, the colon flashes	1:00
1.1	Press and hold <b>Defrost/Clock</b> button for 3 seconds	1:00
1.2	Set hours by turning <b>Time/ Weight</b> knob	12:00
1.3	Press <b>Defrost/Clock</b> button again to confirm hours	12:00
1.4	Set minutes by turning <b>Time/ Weight</b> knob	12:30
1.5	Press <b>Defrost/Clock</b> button once to start (or automatic to exist after 10 seconds)	12:30
2	Set the cooking menu and time	
2.1	Select cooking power by pressing Micro Power button	100P
2.2	Turn <b>Time/ Weight</b> knob to set cooking time	9:30
2.3	Press and hold <b>Defrost/Clock</b> button for 3 seconds to return to current clock.	
3	Set the time you expect to start. Repeat the steps of 1.2, 1.3, 1.4	
4	Press <b>Defrost/Clock</b> button to confirm the delayed menu. Now the program has been activated. And the menu will be started at 14:20.	
5	You may check the preset starting time by pressing <b>Defrost/Clock</b> button.	

## 12. MULTI-SEQUENCE COOKING

To obtain best cooking result, some recipes call for different cook mode and time. You may program your personalized menu as follow:

Example: You want cook food with 100P microwave for 3 minutes then 20P for 9 minutes. This is 2 sequence setting.

	Steps	Display
1	100P microwave for 3min	
1.1	Press <b>Micro Power</b> button to select power level.	100P
1.2	Turn <b>Time/ Weight</b> knob to set cooking time.	3:00
2	20P for 9min	
2.1	Press <b>Micro Power</b> button to select desired menu	20P
2.2	Turn <b>Time/ Weight</b> knob to set cooking time.	9:00
3	Start cooking by pressing <b>Instant/Start</b>	



### CAUTION

- a. When 100 microwave power cooking is finished, microwave oven will begin next operation automatically.
- b. Max 4 sequences can be set per time, repeat the steps

## 13. CHILD LOCK FUNCTION

Use this feature to lock the control panel when you are cleaning or so that children can not use the oven unsupervised. All the buttons are rendered inoperable in this mode.

- 1) Set lock: Hold **Pause/Cancel** button about 3 seconds.
- 2) Cancel lock: Hold **Pause/Cancel** button about 3 seconds.

## UTENSILS GUIDELINE

It is strongly recommended to use the containers which are suitable and safe for microwave cooking. Generally speaking, the containers which are made of heat-resistant ceramic, glass or plastic are suitable for microwave cooking. Never use the metal containers for microwave cooking and combination cooking as spark is likely to occur. You can take the reference of below table.

Material of container	Microwave	Notes
Heat-resistant ceramic	Yes	Never use the ceramics which are decorated with metal rim or glazed
Heat-resistant plastic	Yes	Can not be used for long time microwave cooking
Heat-resistant glass	Yes	
Plastic film	Yes	It should not be used when cooking meat or chops as the over-temperature may do damage to the film
Grill rack	No	
Metal container	No	It should not be used in microwave oven. Microwave can not penetrate through metal.
lacquer	No	Poor heat-resistant. Can not be used for high-temperature cooking
Bamboo wood and paper	No	Poor heat-resistant. Can not be used for high-temperature cooking

## COOKING TIPS

The following factors may affect the cooking result:

### Food arrangement

Place thicker areas towards outside of dish, the thinner part towards the centre and spread it evenly. Do not overlap if possible.

### Cooking time length

Start cooking with a short time setting, evaluate it after it times out and extend it according to the actual need. Over cooking may result in smoke and burns.

### Cooking food evenly

Food such as chicken, hamburger or steak should be turned once during cooking.

Depending on the type of food, if applicable, stir it from outside to centre of dish once or twice during cooking

### Allow standing time

After cooking times out, leave the food in the oven for an adequate length of time, this allows it to complete its cooking cycle and cooling it down in a gradual manner

### Whether the food is done

Color and hardness of food help to determine if it is done, these include:

## HÔME

- Steam coming out from all parts of food, not just the edge
- Joints of poultry can be moved easily
- Pork or poultry shows no signs of blood
- Fish is opaque and can be sliced easily with a fork

### **Browning dish**

When using a browning dish or self-heating container, always place a heat-resistant insulator such as a porcelain plate under it to prevent damage to the turntable and rotating ring.

### **Microwave safe plastic wrap**

When cooking food with high fat content, do not allow the plastic wrap come into contact with food as it may melt

### **Microwave safe plastic cookware**

Some microwave safe plastic cookware might not be suitable for cooking foods with high fat and sugar content. Also, the preheating time specified in the dish instruction manual must not be exceeded.

## MAINTENANCE

### **SERVICING**

Please check the following before calling for services.

1. Place one cup of water (approx.150ml) in a glass measure in the oven and close the door securely. Oven lamp should go off if the door is closed properly. Let the oven work for 1 min.
2. Does the oven lamp light?
3. Does the cooling fan work?  
(Put your hand over the rear ventilation openings.)
4. Does the turntable rotate?  
(The turntable can rotate clockwise or counter clockwise. This is quite normal.)
5. Is the water inside the oven hot?

If “NO” is the answer to any of the above questions, please check your wall socket and the fuse in your meter box.

If both the wall socket and the fuse are functioning properly, CONTACT YOUR NEAREST SERVICE CENTER APPROVED.



## SERVICING SAFEGUARDS



### CAUTION MICROWAVE RADIATION

1. The high voltage capacitor remains charge after disconnection; short the negative terminal of H. V capacitor to the oven chassis (use a screwdriver) to discharge before touching.

2. During servicing below listed parts are liable to be removed and give access to potentials above 250V to earth.

- Magnetron
- High voltage transformer
- High voltage capacitor
- High voltage diode
- High voltage fuse

3. The following conditions may cause undue microwave exposure during servicing.

Improper fitting of magnetron;

Improper matching of door interlock, door hinge and door;

Improper fitting of switch support;

Door, door seal or enclosure has been damaged.

## CORRECT DISPOSAL



This marking indicates that this product should not be disposed with other household wastes throughout the EU. To prevent possible harm to the environment or human health from uncontrolled waste disposal, recycle it responsibly to promote the sustainable reuse of material resources. To return your used device, please use the return and collection systems or contact the retailer where the product was purchased. They can take this product for environmental safe recycling.

## TECHNICAL CHARACTERISTICS

**Model:** HMW-20ST03

**Volume:** ~ 20 L

**Power supply:** 220 – 240 V ~ 50 Hz

**Consumption power:** 1150 W

**Output power:** 700 W

**Magnetron frequency:** 2450 MHz

**5 power levels**

**8 autocoooking programs**

**Quick start**

**Clock**

**60 mins timer**

**Defrost function**

**Sound signal**

**Color:** grey, creamy

**Dimensions (WxDxH):**

451\*258\*344 mm

**Weight:** 10,2 kg

## INCLUDES

- Microwave oven
- Roller ring
- Glass tray
- User manual
- Warranty card



## MICROWAVE OVEN HMW-20ST03

The products passed all the assessment procedures established in the technical regulations of the Customs Union and the Eurasian Economic Union.

The product complies with all necessary technical regulations of Eurasian Community. Detailed information about product certification, technical regulations, certificate number and date, validity period, issuing organization you can find on the website <http://harper.ru/certification> or by calling technical support 8-800-600-7107

Life duration of product: 36 months

Warranty period: 12 months

Warranty service is provided on the base of warranty card that goes together with thy product. Warranty card and User manual are inevitable parts of the product. For additional information about the product and authorized service centres you may find at [www.harper.ru](http://www.harper.ru) or by telephone 8-800-600-7107.

Manufacture: Harper International Trading Limited 15F, Radio City, 505 Hennessy Road, Causeway Bay, HongKong

Made in PRC

Importer: LLC «Progress-Plyus», App.11, floor 2, Build.50, k.1, Udaltsova Str., Moscow, Russia, 119607, tel: +74951330210, [info@harper.ru](mailto:info@harper.ru)





Благодарим Вас за приобретение микроволновой печи HARPER! Перед эксплуатацией внимательно ознакомьтесь с руководством пользователя и сохраните его для обращения в дальнейшем. Мы надеемся, что наш продукт будет соответствовать всем Вашим требованиям и прослужит Вам долгое время.

## СОДЕРЖАНИЕ

ВАЖНЫЕ МЕРЫ ПРЕДОСТОРОЖНОСТИ

УСТАНОВКА

ЧИСТКА И УХОД

ВНЕШНИЙ ВИД И УСТРОЙСТВО

ПАНЕЛЬ УПРАВЛЕНИЯ

ИСПОЛЬЗОВАНИЕ МИКРОВОЛНОВОЙ ПЕЧИ

РУКОВОДСТВО ПО ИСПОЛЬЗОВАНИЮ ПОСУДЫ

СОВЕТЫ ПО ПРИГОТОВЛЕНИЮ ПИЦЦИ

ОБСЛУЖИВАНИЕ

БЕЗОПАСНАЯ УТИЛИЗАЦИЯ

ТЕХНИЧЕСКИЕ ХАРАКТЕРИСТИКИ

КОМПЛЕКТ ПОСТАВКИ

ВАЖНЫЕ ИНСТРУКЦИИ ПО ТЕХНИКЕ БЕЗОПАСНОСТИ  
ВНИМАТЕЛЬНО ПРОЧТИТЕ И СОХРАНИТЕ  
ДЛЯ ИСПОЛЬЗОВАНИЯ В БУДУЩЕМ

## ВАЖНЫЕ МЕРЫ ПРЕДОСТОРОЖНОСТИ

При использовании электроприборов всегда следует соблюдать перечисленные ниже основные меры предосторожности:

1. Перед использованием ознакомьтесь со всеми инструкциями.
2. Убедитесь, что напряжение в районе вашего проживания соответствует значению, указанному на паспортной табличке прибора. И розетка имеет надлежащее заземление.
3. Чтобы уменьшить риск возгорания в полости печи:
  - a. Не готовьте еду дольше положенного времени.
  - b. Прежде чем ставить бумажные или пластиковые пакеты в печь, снимите с них проволочные зажимы-закрутки.
  - c. Не грейте масло или жир для фритюра, так как температуру масла нельзя контролировать.
  - d. После использования протрите крышку волновода влажной тканью, а затем сухой тканью, чтобы удалить брызги пищи и жира. Скопившийся жир может перегреться и стать причиной дыма или воспламенения.
  - e. Если материалы внутри печи дымятся или воспламенились, не открывайте печь, выключите ее и отсоедините источник питания.
  - f. Разогревая пищу в пластиковых или бумажных контейнерах, следите за печью из-за возможности возгорания.
4. Чтобы уменьшить риск взрыва и внезапного закипания:
  - a. **ВНИМАНИЕ:** Жидкости и другие продукты нельзя греть в запечатанном контейнере, поскольку они могут взорваться; Детские бутылочки с навинчивающейся крышкой или соской считаются герметичными емкостями.
  - b. Для приготовления жидкостей используйте емкость с широким горлом, и готовую жидкость нельзя сразу извлекать из печи. Перед извлечением нужно подождать несколько минут, во избежание возможных опасностей, связанных с замедленным вскипанием жидкости.
  - c. Картофель, колбасу и каштаны перед приготовлением следует очистить или проткнуть. Яйца в скорлупе, цельные яйца вкрутую не следует греть в микроволновых печах, так как они могут взорваться даже после окончания микроволнового нагрева.

**D.** Содержимое бутылочек для кормления и баночек с детским питанием необходимо перемешивать или взбалтывать, а перед употреблением проверять температуру, чтобы избежать ожогов.

**5.** Если шнур питания поврежден, во избежание поражения электрическим током его должен заменить производитель, его агент по обслуживанию или квалифицированный специалист.

**6.** После приготовления контейнер очень горячий. Чтобы вынуть пищу и избежать паровых ожогов, используйте перчатки, направляя пар в сторону от лица и рук.

**7.** Медленно поднимите дальний край крышки посуды и пластиковую упаковку и осторожно открывайте пакеты для жарки попкорна и готовки для микроволновой печи в сторону от лица.

**8.** Чтобы предотвратить поломку вращающейся тарелки:

**a.** Перед очисткой дайте тарелке остыть.

**b.** Не ставьте горячие продукты или посуду на холодную вращающуюся тарелку.

**c.** Не ставьте замороженные продукты или посуду на горячую вращающуюся тарелку.

**9.** Убедитесь, что во время приготовления посуда не касается внутренних стенок.

**10.** Используйте только посуду, подходящую для использования в микроволновых печах.

**11.** Не храните продукты и другие предметы внутри печи.

**12.** Не пользуйтесь печью при отсутствии в ней жидкости или пищи. Это может повредить печь.

**13.** Если прибор работает в комбинированном режиме, дети должны пользоваться печью только под присмотром взрослых из-за создаваемой температуры.

**14.** Любые принадлежности, не рекомендованные производителем, могут стать причиной травм.

**15.** Не использовать на открытом воздухе.

**16.** Сохраните эту инструкцию.

**17. ВНИМАНИЕ:** Если дверь или уплотнения двери повреждены или печь неисправна, печью не следует пользоваться, пока она не будет отремонтирована квалифицированным лицом.

**18. ВНИМАНИЕ:** Выполнение каких-либо операций по обслуживанию или ремонту, которые включают снятие крышки, обеспечивающей защиту от воздействия микроволновой энергии, опасно и может осуществляться только квалифицированным специалистом;

**19.** При выделении дыма выключите или отключите прибор от сети и не открывайте дверцу, чтобы подавить возможное пламя.

**20.** Нагревание напитков в микроволновой печи может привести к закипанию и разбрызгиванию; поэтому при обращении с контейнером следует соблюдать осторожность;

**21.** Не используйте абразивные чистящие средства или острые металлические скребки для очистки стекла дверцы духовки, поскольку они могут поцарапать поверхность, что может привести к разрушению стекла.

**22.** Лампа микроволновой печи не предназначена для других целей.

**23.** Приборы не предназначены для работы под управлением внешнего таймера или отдельной системы дистанционного управления.

**24.** Это устройство предназначено для использования в домашнем хозяйстве и аналогичных целях, таких как:

- кухни для персонала в магазинах, офисах и других рабочих помещениях;
- загородные дома;
- использование клиентами в гостиницах, отелях и других жилых помещениях;
- заведения типа мини-гостиниц.

**25.** Микроволновая печь предназначена для подогрева еды и напитков. Сушка пищи или одежды и нагревание грелок, тапочек, губок, влажной ткани и т. п. может привести к травме, возгоранию или пожару.

**26.** Данный прибор может использоваться детьми в возрасте от 8 лет и старше, а также лицами с ограниченными физическими, сенсорными или умственными способностями или недостатком опыта и знаний под присмотром или после получения инструкций относительно безопасного использования прибора и понимания опасностей. Дети не должны играть с прибором. Очистка и обслуживание пользователя микроволновой печи не должны осуществлять дети младше 8 лет и без присмотра. Храните прибор и его шнур в месте, недоступном для детей младше 8 лет.

**27.** Данное устройство не предназначено для использования лицами (включая детей) с ограниченными физическими, сенсорными или умственными

способностями или недостатком опыта и знаний без присмотра или без получения инструкций относительно безопасного использования прибором лицом, ответственным за их безопасность.

**28.** Следите, чтобы дети не играли с прибором.

**29.** Не используйте пароочиститель.

**30.** Во время работы прибора дверца или внешняя поверхность могут нагреваться.

**31.** ВНИМАНИЕ: Доступные части во время использования могут нагреваться. Маленьких детей не следует допускать к прибору.

**32.** Во время использования прибор нагревается. Следует соблюдать осторожность, чтобы не касаться нагревательных элементов внутри печи.

**33.** Во время использования поверхности могут нагреваться.



### **ВНИМАНИЕ ГОРЯЧАЯ ПОВЕРХНОСТЬ**

**Только для домашнего использования.**

## **УСТАНОВКА**

**1.** Удалите всю упаковку. Если на печи имеется защитная пленка, перед использованием оторвите ее. Внимательно проверьте прибор на наличие повреждений. Если таковые имеются, немедленно сообщите об этом дилеру или отправьте печь в сервисный центр производителя.

**2.** Микроволновые печи должны находиться в сухой и не коррозионной среде, вдали от источников тепла и влаги, таких как газовые горелки или резервуары для воды.

**3.** Для обеспечения достаточной вентиляции расстояние от задней стороны микроволновой печи до стены должно быть не менее 10 см, от боковой стороны до стены – не менее 5 см, свободное пространство над верхней поверхностью – не менее 20 см.

**4.** Печь должна находиться вдали от телевизоров, радиоприемников или антенны во избежание помех. Расстояние должно быть более 5 м.

**5.** Прибор следует располагать таким образом, чтобы вилка находилась в зоне доступа, и обеспечивалось надлежащее заземление в случае утечки во избежание поражения электрическим током.

**6.** Микроволновая печь должна работать при закрытой дверце.



7. Микроволновую печь нельзя ставить в шкаф. Микроволновая печь предназначена для автономного использования.

8. Если в полости печи или на нагревательном элементе остаются остатки пищи или масло, обычно появляется запах, который может отдавать дымом. Это нормально, и такие случаи не возникают после нескольких использований. Для обеспечения надлежащей вентиляции держите дверь или окно открытым. Поэтому настоятельно рекомендуется поместить на вращающуюся тарелку чашку воды, установить режим работы на высокой мощности и запустить несколько циклов нагревания.

## ЧИСТКА И УХОД

### УХОД ЗА МИКРОВОЛНОВОЙ ПЕЧЬЮ



#### ВНИМАНИЕ

Печь следует регулярно чистить и удалять остатки пищи.



#### ВНИМАНИЕ

1. Перед чисткой отсоедините шнур питания от розетки. При очистке не погружайте прибор в воду или другие жидкости.
2. Не поддержание чистоты печи может привести к повреждению поверхности, что может отрицательно сказаться на сроке службы прибора и, возможно, привести к возникновению опасной ситуации.
3. Никогда не используйте твердые моющие средства, бензин, абразивный порошок или металлические щетки для чистки каких-либо частей прибора.
4. Не снимайте крышку волновода.
5. Если микроволновая печь использовалась в течение длительного времени, в ней могут быть некоторые странные запахи. Ниже перечислены 3 метода, которые помогут избавиться от них:
  - a. Положите несколько кусочков лимона в чашку, затем нагрейте их в режиме высокой мощности в течение 2-3 минут.
  - b. Поставьте в печь чашку красного чая, затем нагрейте ее в режиме высокой мощности.
  - c. Положите в печь немного апельсиновой кожуры, а затем нагрейте ее в режиме высокой мощности в течение 1 минуты.

**6. ВНИМАНИЕ:** Использование прибора детьми без присмотра разрешено только в том случае, если ребенок получил адекватные инструкции по безопасному использованию печи и понял опасность неправильного использования.

### СОВЕТЫ ПО ЧИСТКЕ

Описание процедуры очистки уплотнителей дверцы, полости и прилегающих частей:

#### Внешние поверхности:

Протрите корпус влажной мягкой тканью.

#### Дверца:

Протрите дверцу и окошко влажной мягкой тканью. Протрите уплотнители дверей и прилегающие детали, чтобы удалить следы разливов или брызг.

Протрите панель управления слегка влажной мягкой тканью.

#### Внутренние поверхности:

Протрите полость влажной мягкой тканью.

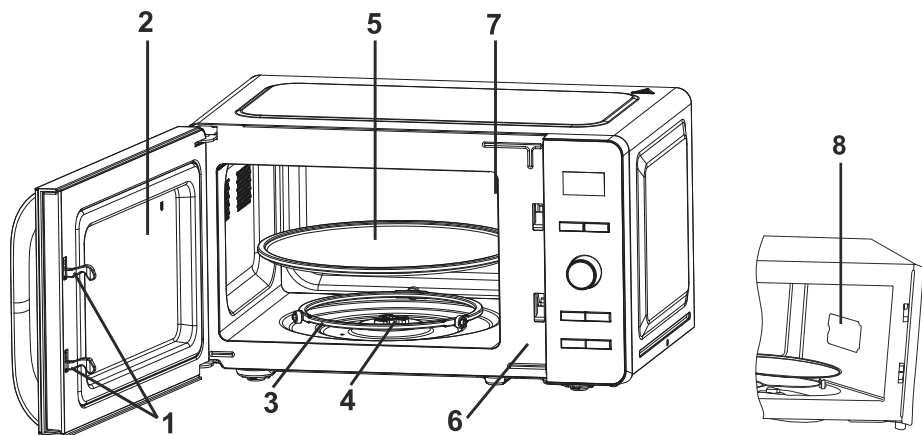
Протрите крышку волновода, чтобы удалить брызги от продуктов.

#### Стеклоподнос / Роликовая подставка / Вращающаяся ось:

Вымойте мягким мыльным раствором.

Промойте чистой водой и дайте полностью высохнуть.

## ВНЕШНИЙ ВИД И УСТРОЙСТВО



### 1. Фиксатор дверцы

Для работы прибора дверца микроволновой печи должна быть закрыта надлежащим образом.

### 2. Смотровое окошко

Позволяет пользователю наблюдать за приготовлением.

### 3. Роликовая подставка

Стеклянный поднос установлен на кольце; она поддерживает поднос и помогает ей держать равновесие при вращении.

### 4. Вращающаяся ось

Стеклянный поднос установлен на кольце; она поддерживает поднос и помогает ей держать равновесие при вращении.

### 5. Стеклянный поднос

Еда ставится на стеклянный поднос, его вращение во время работы помогает равномерно готовить еду.



### ВНИМАНИЕ

- Сначала установите роликовую подставку.

- Установите стеклянный поднос на вращающуюся ось и убедитесь, что он установлен правильно.

### 6. Панель управления

Более подробное описание приведено ниже (панель управления может быть изменена без предварительного уведомления)

### 7. Корпус печи

### 8. Крышка волновода

Она находится внутри микроволновой печи, рядом со стенкой панели управления.



### ВНИМАНИЕ

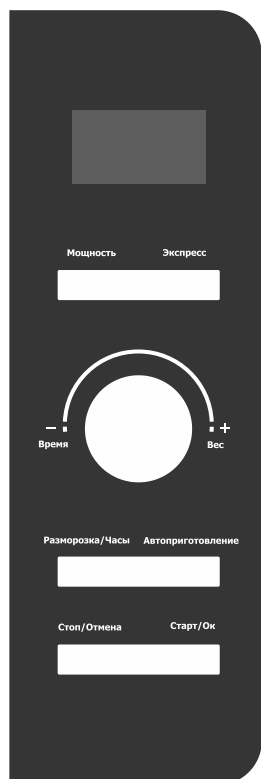
Никогда не снимайте крышку волновода.

**ПАНЕЛЬ УПРАВЛЕНИЯ**

**МОЩНОСТЬ**

Данная кнопка позволяет выбрать один из 5 режимов мощности:

100P	Максимальная мощность	100 % мощности печи	Подходит для быстрого и тщательного приготовления.
80P	Высокая мощность	80 % мощности печи	Подходит для быстрого приготовления до средней готовности.
60P	Средняя мощность	60 % мощности печи	Подходит для приготовления пищи на пару.
40P	Низкая мощность	40 % мощности печи	Подходит для размораживания продуктов.
20P	Минимальная мощность	20 % мощности печи	Подходит для поддержания тепла.



**ЭКСПРЕСС**

Выбор времени быстрого приготовления на максимальной мощности.

**РАЗМОРОЗКА/ЧАСЫ**

Настройка часов, функция отложенного старта, разморозка продуктов.

**СТАРТ/ОК**

Запуск приготовления, подтверждение выбора.

**СТОП/ОТМЕНА**

Остановка приготовления, отмена выбранных настроек.

**АВТОПРИГОТОВЛЕНИЕ**

Выбор режима автоприготовления.

**ВРЕМЯ/ВЕС**

Установка часов, минут, времени приготовления и веса в режиме разморозка.

## ИСПОЛЬЗОВАНИЕ МИКРОВОЛНОВОЙ ПЕЧИ

### НАЧАЛО РАБОТЫ

При подключении к источнику питания загорится дисплей «0:00» и прибор перейдет в режим ожидания.

### НАСТРОЙКА ЧАСОВ

1. Для настройки часов нажмите и удерживайте 3 секунды кнопку **РАЗМОРОЗКА/ЧАСЫ**.
2. С помощью колесика **ВРЕМЯ/ВЕС** установите часы.
3. Снова нажмите кнопку **РАЗМОРОЗКА/ЧАСЫ** для перехода к минутам.
4. С помощью колесика **ВРЕМЯ/ВЕС** установите минуты.
5. Для сохранения настроек часов нажмите кнопку **РАЗМОРОЗКА/ ЧАСЫ** или подождите 5 секунд.

### ПРИГОТОВЛЕНИЕ

1. Поместите еду в контейнере или в другой подходящей посуде на стеклянный поднос и закройте дверь.
2. Выберите нужный уровень мощности, последовательно нажимая кнопку мощность.
3. Установите время приготовления, вращая колесико **ВРЕМЯ/ВЕС**. Максимальное время приготовления 60 минут.
4. Нажмите кнопку **СТАРТ/ОК** для начала приготовления.
5. Если необходимо приостановить процесс приготовления, просто откройте дверцу в любое время, а затем закройте ее и снова нажмите кнопку **СТАРТ/ОК**.
6. По окончании приготовления раздастся звуковой сигнал. Если не открыть дверцу, звуковой сигнал будет раздаваться каждые 3 минуты, что бы напомнить о завершении приготовления.



### ВНИМАНИЕ

Если вы извлекаете пищу из печи до истечения времени приготовления, обязательно дважды нажмите кнопку **СТОП/ОТМЕНА**, чтобы сбросить настройки. Для предотвращения запуска пустой печи.



### ВНИМАНИЕ

Никогда не включайте печь пустой.

## БЫСТРОЕ ПРИГОТОВЛЕНИЕ

Данная функция позволит вам быстро разогреть, например, чашку воды, не проделывая всей последовательности шагов по установке времени.

Для этого нажмите кнопку «**ЭКСПРЕСС**». При ее нажатии на дисплее будут последовательно появляться цифры 00:30, 1:00, 1:30. Выберите подходящее время и нажмите «**СТАРТ/ОК**». Звуковой сигнал известит об окончании работы.

## РАЗМОРАЖИВАНИЕ

Чтобы выбрать режим Разморозка нажмите кнопку **РАЗМОРОЗКА/ЧАСЫ**. При нажатии данной кнопки на дисплее последовательно будут отображаться d.1-d.2-d.3.

d.1	Для размораживания мяса, вес в диапазоне 0,1 ~ 2,0 кг
d.2	Для размораживания птицы, вес в диапазоне 0,2 ~ 3,0 кг
d.3	Для размораживания морепродуктов, вес в диапазоне 0,1 ~ 0,9 кг

Выберите тип продукта. Затем при помощи колесика **ВРЕМЯ/ВЕС** установите вес и нажмите **СТАРТ/ОК**.

В процессе работы раздастся звуковой сигнал, напоминающий о том, что надо перевернуть продукт. После того как перевернете продукт, нажмите **СТАРТ/ОК**, чтобы продолжить разморозку. Звуковой сигнал известит об окончании работы.



### ВНИМАНИЕ

- a. Необходимо переворачивать продукты во время работы, чтобы получить равномерный эффект
- b. Обычно для размораживания требуется больше времени, чем для приготовления пищи.
- c. Если продукт можно разрезать ножом, процесс размораживания можно считать завершенным.
- d. Микроволновые волны проникают в большинство продуктов питания на 4 см.
- e. Размороженную пищу следует использовать как можно скорее, не рекомендуется ставить ее обратно в холодильник и снова замораживать.

## АВТОПРИГОТОВЛЕНИЕ

В данной модели есть восемь предустановленных программ для приготовления несложных блюд: картофель, спагетти, пицца, попкорн, овощи, напитки, мясо и рыба.

Дисплей	Программа	Комментарии к программе
A.1	Попкорн	Подходит для приготовления пакета попкорна весом 85 г. Как только кол-во щелчков сократится до 1 в 1-2 сек, нажмите кнопку <b>СТОП/ОТМЕНА</b> .
A.2	Попкорн	Всего 5 опций (0,2; 0,4; 0,6; 0,8; 1,0 кг).
A.3	Напитки	Предназначена для разогрева жидкости объемом 250 мл, температура которой 15-10 °С. Рекомендуется использовать посуду с широким горлом и не закрывать ее.
A.4	Пицца	Предназначена для разогрева 1-2 кусков пиццы.
A.5	Картофель	Предназначена для приготовления картофельных кубиков размером 5x5x5 мм. Общим весом около 0.45 кг. Распределите кубики по большой тарелке и накройте пленкой, чтобы предотвратить потерю влаги.
A.6	Овощи	Всего 5 опций (0,1; 0,2; 0,3; 0,4; 0,5 кг).
A.7	Мясо	Всего 5 опций (0,1; 0,2; 0,3; 0,4; 0,5 кг).
A.8	Рыба	Всего 5 опций (0,1; 0,2; 0,3; 0,4; 0,5 кг).

При помощи колесика **АВТОПРИГОТОВЛЕНИЕ** выберите нужную Вам программу и нажмите кнопку **СТАРТ/ОК**, чтобы начать работу. Звуковой сигнал известит об окончании работы.



### ВНИМАНИЕ

**a.** Температура пищи перед приготовлением должна быть 20-25 °С. Повышенная или пониженная температура пищи перед приготовлением потребует увеличения или уменьшения времени приготовления.

**b.** Температура, вес и форма пищи будут в значительной степени влиять на кулинарный эффект. Если было обнаружено какое-либо отклонение от коэффициента, указанного в меню выше, вы можете отрегулировать время приготовления для достижения наилучшего результата.

## ОТЛОЖЕННЫЙ СТАРТ

Данная функция позволит автоматически запустить приготовление в определенное время.

Перед началом использования функции Отложенный старт обязательно корректно настройте часы на микроволновой печи (см. пункт Настройка часов данной инструкции).

1. Выберите нужный уровень мощности, последовательно нажимая кнопку **МОЩНОСТЬ**.
2. Установите время приготовления, вращая колесико **ВРЕМЯ/ВЕС**.
3. Для перехода к настройке времени отложенного старта нажмите и удерживайте 3 секунды кнопку **РАЗМОРОЗКА/ЧАСЫ**.
4. С помощью колесика **ВРЕМЯ/ВЕС** установите часы.
5. Снова нажмите кнопку **РАЗМОРОЗКА/ЧАСЫ** для перехода к минутам.
6. С помощью колесика **ВРЕМЯ/ВЕС** установите минуты.
7. Для сохранения настроек нажмите кнопку **РАЗМОРОЗКА/ЧАСЫ** еще раз.
8. Настройка отложенного старта завершена, приготовление начнется автоматически в установленное время. Время отложенного старта Вы можете проверить, нажав кнопку **РАЗМОРОЗКА/ЧАСЫ**.



### ВНИМАНИЕ

Никогда не настраивайте отложенный старт, предварительно не положив продукты в микроволновую печь.

## ПРИГОТОВЛЕНИЕ С НЕСКОЛЬКИМИ СТАДИЯМИ

Для получения лучшего результата некоторые рецепты требуют готовить продукты разное время на разных мощностях. Вы можете запрограммировать до 4 стадий приготовления.

1. Выберите нужный уровень мощности для первой стадии приготовления, последовательно нажимая кнопку **МОЩНОСТЬ**.
2. Установите время приготовления, вращая колесико **ВРЕМЯ/ВЕС**.
3. Выберите нужный уровень мощности для второй и последующих стадий приготовления (максимум 4), последовательно нажимая кнопку **МОЩНОСТЬ**.
4. Установите время приготовления, вращая колесико **ВРЕМЯ/ВЕС**.



5. Нажмите кнопку **СТАРТ/ОК** для запуска приготовления в соответствии с заданной последовательностью программ.

### РОДИТЕЛЬСКАЯ БЛОКИРОВКА

Используйте эту функцию, чтобы заблокировать панель управления на время очистки, или чтобы дети не могли пользоваться печью без присмотра.

a. Установка блокировки: удерживайте кнопку **СТОП/ОТМЕНА** около 3 секунд.

b. Снятие блокировки: удерживайте кнопку **СТОП/ОТМЕНА** около 3 секунд

## РУКОВОДСТВО ПО ИСПОЛЬЗОВАНИЮ ПОСУДЫ

Для приготовления в микроволновой печи настоятельно рекомендуется использовать подходящие и безопасные емкости. В целом, емкости из жаростойкой керамики, стекла или пластика пригодны для приготовления в микроволновой печи. Никогда не используйте металлические емкости для микроволнового и комбинированного приготовления, поскольку может возникнуть искра. Вы можете свериться с таблицей ниже.

Материал контейнера	Возможность использования в микроволновой печи	Комментарий
Жаростойкая керамика	Да	Никогда не используйте керамику с металлическим ободком или глазурью
Термостойкий пластик	Да	Нельзя использоваться для длительного приготовления блюд в микроволновой печи
Жаропрочное стекло	Да	
Пластиковая пленка	Да	Не следует использовать при приготовлении мяса или отбивных, поскольку перегревание может повредить пленку.
Решетка для гриля	Нет	
Металлический контейнер	Нет	Не следует использовать в микроволновой печи. Микроволны не проникают сквозь металл.

Лак	Нет	Обладает плохой жаростойкостью. Нельзя использовать для приготовления при высокой температуре
Бамбуковое дерево и бумага	Нет	Обладает плохой жаростойкостью. Нельзя использовать для приготовления при высокой температуре

## СОВЕТЫ ПО ПРИГОТОВЛЕНИЮ ПИЩИ

На результат приготовления могут влиять следующие факторы:

### Расположение продуктов

Размещайте более толстые куски по краям тарелки, более тонкие – ближе к центру и равномерно распределите продукты. По возможности не накладывайте куски друг на друга.

### Время приготовления

Начните приготовление с короткого времени, оцените результат по окончании и продлите время в соответствии с фактической необходимостью. Слишком длинное время приготовления может привести к появлению дыма и подгоранию.

### Равномерное приготовление пищи

Такие продукты, как курица, гамбургеры или стейки, во время приготовления следует переворачивать один раз.

В зависимости от типа пищи, по возможности, во время приготовления перемешивайте ее один или два раза от краев к центру блюда.

### Выдержка

По истечении времени приготовления оставьте пищу в печи на определенное время, что позволит ей завершить цикл приготовления и постепенно охладиться.

### Готовность еды

Цвет и твердость пищи помогают определить, готово ли блюдо, к этим признакам также относятся:

- Пар, выходящий из всех частей пищи, а не только по краям;
- Суставы птицы легко двигаются;
- В свинине или птице отсутствуют следы крови;
- Рыба перестала блестеть и легко разделяется вилкой.

## Блюдо для жарки

При использовании блюда для жарки или саморазогревающейся емкости всегда устанавливайте под нее термостойкий изолятор, например, фарфоровую тарелку, чтобы не повредить вращающуюся тарелку и вращающееся кольцо.

## Пластиковая плёнка для микроволновой печи

При приготовлении пищи с высоким содержанием жира не допускайте контакта пластиковой пленки с пищей, поскольку она может расплавиться.

## Пластиковая посуда для микроволновой печи

Некоторые безопасные для микроволновой печи пластиковые емкости могут не подходить для готовки продуктов с высоким содержанием жира и сахара. Кроме того, не следует превышать время разогревания, указанное в инструкции по эксплуатации блюда.

## ОБСЛУЖИВАНИЕ

### ТЕХНИЧЕСКОЕ ОБСЛУЖИВАНИЕ

Перед обращением за обслуживанием проверьте следующее:

1. Налейте одну чашку воды (около 150 мл) в стеклянный стакан, поставьте в печь и плотно закройте дверцу. Если дверь закрыта правильно, лампа печи должна погаснуть. Дайте печи поработать в течение 1 мин.
2. Горит ли лампа печи?
3. Работает ли вентилятор охлаждения?  
(Положите руку на задние вентиляционные отверстия.)
4. Вращается ли вращающаяся тарелка? (Вращающаяся тарелка может вращаться в направлении по часовой стрелке или против часовой стрелки. Это вполне нормально.)
5. Горячая ли вода внутри печи?

Если вы ответили «НЕТ» на любой из вышеперечисленных вопросов, проверьте вашу розетку и предохранитель в счетчике.

Если и розетка, и предохранитель работают нормально, ОБРАТИТЕСЬ В БЛИЖАЙШИЙ СЕРВИСНЫЙ ЦЕНТР.

### МЕРЫ БЕЗОПАСНОСТИ ПРИ ОБСЛУЖИВАНИИ



#### ОСТОРОЖНО: МИКРОВОЛНОВОЕ ИЗЛУЧЕНИЕ

1. Конденсатор высокого напряжения сохраняет заряд после отключения; Замкните отрицательную клемму конденсатора высокого напряжения на корпус духовки (используйте отвертку), чтобы разрядить его, пре-

жде чем прикасаться к нему.

2. Во время обслуживания перечисленные ниже детали снимаются и открывают доступ к потенциалам выше 250 В на землю.

- Магнетрон
- Высоковольтный трансформатор
- Высоковольтный конденсатор
- Высоковольтный диод
- Предохранитель высокого напряжения

3. Следующие условия могут вызвать нежелательное воздействие микроволнового излучения во время обслуживания.

Неправильная установка магнетрона;

Несовпадение блокирующего устройства, дверцы, петли дверцы и самой дверцы;

Неправильная установка опор выключателя;

Дверца, уплотнение дверцы или корпус повреждены.

*Примечание: В соответствии с постоянным усовершенствованием технических характеристик и дизайна возможно внесение изменений без предварительного уведомления.*

## БЕЗОПАСНАЯ УТИЛИЗАЦИЯ



Данная маркировка указывает на то, что это изделие не следует утилизировать как обычные бытовые отходы. Пожалуйста, сдайте отработавшее изделие в пункт приема электрического и электронного оборудования для переработки. В некоторых странах, в том числе в странах ЕС, разработаны специальные схемы сбора отработавшего электрического и электронного оборудования. Соблюдая правила утилизации этого оборудования, вы внесете свой вклад в сохранение окружающей среды и здоровья человечества. Вторичная переработка материалов сохраняет природные ресурсы. Поэтому, пожалуйста, не выбрасывайте отработавшее оборудование вместе с бытовыми отходами. Более подробную информацию о вторичной переработке оборудования вы можете получить в сервисе по переработке отходов или в торговой точке, где вы приобрели данное изделие.

## ТЕХНИЧЕСКИЕ ХАРАКТЕРИСТИКИ

**Модель:** HMW-20ST03

**Внутренний объем:** 20 л

**Электропитание:** 220–240 В ~ 50 Гц

**Потребляемая мощность:** 1150 Вт

**Выходная мощность:** 700 Вт

**Частота магнетрона:** 2450 МГц

**Защита от поражения электротоком:**  
класс I

**5 уровней мощности**

**8 программ автоприготовления**  
**Быстрый старт**

**Часы**

**Таймер на 60 минут**

**Функция размораживания**

**Сигнал окончания работы**

**Цвет:** серый, кремовый

**Размеры (ШхГхВ):** 451\*258\*344 мм

**Вес:** 10,2 кг

## КОМПЛЕКТ ПОСТАВКИ

- Микроволновая печь
- Роликовое кольцо
- Стекланный поднос
- Руководство пользователя
- Гарантийный талон



## МИКРОВОЛНОВАЯ ПЕЧЬ HMW-20ST03

Продукция прошла все установленные в технических регламентах Таможенного союза и Евразийского экономического союза процедуры оценки.

Подробную информацию по сертификации наших приборов, технических регламентах, данные о номере сертификата и сроке его действия, органе, выдавшем сертификат, Вы можете получить на официальном сайте организации <http://harper.ru/certification>, или уточнить по номеру поддержки клиентов, тел.: 8-800-600-7107

Дата производства указана на упаковке

Срок службы – 36 месяцев

Гарантийный срок – 12 месяцев

Гарантийное обслуживание осуществляется согласно прилагаемому гарантийному талону.

Гарантийный талон и руководство по эксплуатации являются неотъемлемыми частями данного изделия.

Дополнительную информацию о товаре и данные авторизованного сервисного центра вы можете узнать на сайте [www.harper.ru](http://www.harper.ru) или по телефону технической поддержки 8-800-600-7107

Изготовитель: Harper International Trading Limited 15F, Radio City, 505 Hennessy Road, Causeway Bay, Гонконг

Сделано в КНР

Импортер/организация уполномоченная на принятие претензий:  
ООО «Прогресс-Плюс» 119607, г.Москва, ул.Удальцова, д.50, корп.1,  
тел: +74951330210, [info@harper.ru](mailto:info@harper.ru)





Алғысымызды Білдіреміз сатып алу микротолқынды пеште HARPER! Пайдалану алдында мұқият танысыңыз пайдаланушы сақтаңыз және оның айналымы үшін одан әрі. Біз сенеміз, біздің өнімге сай болады Сіздің барлық талаптарына және прослужит Сізге ұзақ уақыт бойы.

## МАЗМҰНЫ

МАҢЫЗДЫ САҚТЫҚ ШАРАЛАРЫ

ОРНАТУ

ТАЗАЛАУ ЖӘНЕ КҮТІМ

СЫРТҚЫ ТҮРІ МЕН ҚҰРЫЛҒЫСЫ

БАСҚАРУ ПАНЕЛІ

МИКРОТОЛҚЫНДЫ ПЕШТІ ПАЙДАЛАНУ

ЫДЫС-АЯҚТЫ ПАЙДАЛАНУ ЖӨНІНДЕГІ НҰСҚАУЛЫҚ

ПІСІРУ БОЙЫНША КЕҢЕСТЕР

ҚЫЗМЕТ КӨРСЕТУ

ҚАУІПСІЗ КӨДЕГЕ ЖАРАТУ

ТЕХНИКАЛЫҚ СИПАТТАМАЛАРЫ

ЖЕТКІЗУ ЖИЫНТЫҒЫ

ҚАУІПСІЗДІК ТЕХНИКАСЫ БОЙЫНША МАҢЫЗДЫ НҰСҚАУЛЫҚТАРДЫ  
МҰҚИАТ ОҚЫП, САҚТАҢЫЗ БОЛАШАҚТА ПАЙДАЛАНУ ҮШІН

## МАҢЫЗДЫ САҚТЫҚ ШАРАЛАРЫ

Электр құралдарын пайдалану кезінде әрқашан төменде көрсетілген негізгі сақтық шараларын сақтау керек:

1. Қолданар алдында барлық нұсқауларды оқып шығыңыз.
2. Сіздің тұратын жеріңіздегі кернеу құрылғының паспорттық тақтасында көрсетілген мәнге сәйкес келетініне көз жеткізіңіз. Ал розеткада тиісті жер бар.
3. Пештің қуысында жану қаупін азайту үшін:
  - a. Тамақты белгіленген уақыттан ұзақ пісірмеңіз.
  - b. Қағазға немесе пластикалық пакеттерді пешке салмас бұрын, олардан сым қыстырғыштарын алыңыз.
  - c. Майды немесе терең майды қыздырмаңыз, өйткені майдың жылдамдығын бақылау мүмкін емес.
  - d. Қолданғаннан кейін, тамақ пен майдың шашырауын кетіру үшін толқынның қақпағын дымқыл шүберекпен, содан кейін құрғақ шүберекпен сүртіңіз. Жиналған май қызып кетуі мүмкін және түтінге немесе тұтануға әкелуі мүмкін.
  - e. Егер пеш ішіндегі материалдар түтінденсе немесе тұтанса, пешті ашпаңыз, оны өшіріңіз және қуат көзін ажыратыңыз.
  - f. Пластикалық немесе қағаз контейнерлеріндегі тағамды жылыту кезінде өрт шығу мүмкіндігіне байланысты пешті бақылаңыз.
4. Жарылыс және көнеттен қайнау қаупін азайту үшін:
  - a. **Назар аударыңыз:** Сұйықтықтар мен басқа өнімдерді мөрленген контейнерде жылытуға болмайды, өйткені олар жарылуы мүмкін; бұрандалы қақпағы немесе емізігі бар нәресте бөтелкелері ауа өткізбейтін контейнерлер болып саналады.
  - b. Сұйықтықтарды дайындау үшін кең мойынды контейнерді қолданыңыз, ал дайын сұйықтықты пештен бірден шығаруға болмайды. Шығару алдында сұйықтықтың баяу қайнауына байланысты ықтимал қауіптерді болдырмас үшін бірнеше минут күту керек.
  - c. Картопты, шұжықтарды және каштандарды пісірер алдында аршып немесе тесу керек. Қабықтағы жұмыртқалар, қатты қайнатылған жұмыртқаларды микротолқынды пештерде жылытуға болмайды, өйткені олар микро толқындық қыздыру аяқталғаннан кейін де жарылуы мүмкін.



**d.** Балаларға арналған азықтандыруға арналған бөтелкелер мен банкалардың ішіндегісін араластыру немесе шайқау қажет, ал күйіп қалмас үшін қолданар алдында температураны тексеру керек.

**5.** Егер қуат сымы зақымдалған болса, электр тогының соғуын болдырмас үшін оны өндіруші, оның қызмет көрсету агенті немесе білікті маман ауыстыруы керек.

**6.** Пісіргеннен кейін контейнер өте ыстық. Тамақты алып тастау және бұды күйіп қалуын болдырмау үшін буды бет пен қол жағына бағыттап, пер – чаткаларды пайдаланыңыз.

**7.** Ыдыс қақпағы мен пластик қаптаманың алыс жиегін баяу көтеріп, поп-корн қуыру және микротолқынды пеш дорбаларын бет жағына қарай абайлап ашыңыз.

**8.** Айналмалы табақтың сынуын болдырмау үшін:

**a.** Тазалау алдында табақты суытып алыңыз.

**b.** Ыстық тағамдарды немесе ыдыстарды суық айналмалы табаққа салмаңыз.

**c.** Мұздатылған тағамдарды немесе ыдыстарды ыстық айналмалы табаққа салмаңыз.

**9.** Пісіру кезінде ыдыс-аяқтың ішкі қабырғаларға тигізбейтініне көз жеткізіңіз.

**10.** Микротолқынды пештерде қолдануға жарамды ыдыстарды ғана қолданыңыз.

**11.** Пештің ішінде тамақ пен басқа заттарды сақтамаңыз.

**12.** Пешті сұйықтық немесе тамақ болмаған кезде пайдаланбаңыз. Бұл пешті зақымдауы мүмкін.

**13.** Егер құрылғы аралас режимде жұмыс істесе, балалар пешті температураның әсерінен ересектердің бақылауымен ғана қолдануы керек.

**14.** Өндіруші ұсынбаған кез-келген заттар жарақат алуы мүмкін.

**15.** Ашық ауада қолдануға болмайды.

**16.** Осы нұсқаулықты сақтаңыз.

**17. Назар аударыңыз:** Егер есік немесе есіктің тығыздағыштары зақымдалған немесе пеш ақаулы болса, пешті білікті адам жөндегенге дейін пайдалануға болмайды.

**18. Назар аударыңыз:** Алуды қамтитын қызмет көрсету немесе жөндеу бойынша қандай да бір операцияларды орындау микротолқынды энергияның әсерінен қорғауды қамтамасыз ететін қақпақтар қауіпті және оны тек білікті маман жүзеге асыра алады;

**19.** Түтін шыққан кезде аспапты сөндіріңіз немесе желіден ажыратыңыз және ықтимал жалынды басу үшін есікті ашпаңыз.

**20.** Микротолқынды пеште сусындарды жылыту қайнауға және шашырауға әкелуі мүмкін; сондықтан контейнерді қолданған кезде абай болу керек;

**21.** Пештің есігінің әйнегін тазарту үшін абразивті тазартқыштарды немесе өткір металл қырғыштарды пайдаланбаңыз, себебі олар әйнектің бұзылуына әкелуі мүмкін.

**22.** Микротолқынды пеш басқа мақсаттарға арналмаған.

**23.** Құрылғылар сыртқы таймермен немесе жеке қашықтан басқару жүйесімен жұмыс істеуге арналмаған.

**24.** Бұл құрылғы үй шаруашылығында және ұқсас мақсаттарда пайдалануға арналған, мысалы:

- дүкендердегі, кеңселердегі және басқа да жұмыс үйі – жайларындағы персоналға арналған асүйлер;
- қала сыртындағы үйлер;
- клиенттердің қонақ үйлерде, мотельдерде және басқа да тұрғын үй-жайларда пайдалануы;
- шағын қонақ үйлер сияқты мекемелер.

**25.** Микротолқынды пеш тамақ пен сусындарды жылытуға арналған. Тамақты немесе киімді кептіру және жылытқыштарды, тәпішкелерді, губкаларды, дымқыл шүберектерді және т.б. жылыту жарақатқа, жануға немесе өртке әкелуі мүмкін.

**26.** Бұл құрылғыны 8 жастан асқан балалар, сондай – ақ физикалық, сенсорлық немесе ақыл-ой қабілеттері шектеулі немесе тәжірибе мен білімі жоқ адамдар бақылау кезінде немесе құрылғыны қауіпсіз пайдалану және қауіпті түсіну туралы нұсқаулар алғаннан кейін қолдана алады. Балалар құрылғымен ойнауға болмайды. Микротолқынды пешті тазалау және қызмет көрсетуді 8 жасқа толмаған балалар және қараусыз жүзеге асырмауы тиіс. Құрылғыны және оның сымын 8 жасқа толмаған балалардың қолы жетпейтін жерде сақтаңыз.

**27.** Бұл құрылғы физикалық, сенсорлық немесе ақыл-ой қабілеттері шектеулі немесе тәжірибесі мен білімі жеткіліксіз адамдардың (балаларды қоса алғанда) аспапты олардың қауіпсіздігіне жауапты адамның қауіпсіз пайдалануына қатысты нұсқаулықсыз немесе бақылаусыз пайдалануына арналмаған.

**28.** Балалардың аспаппен ойнамауын қадағалаңыз.

**29.** Бу тазартқышты пайдаланбаңыз.

**30.** Құрылғы жұмыс істеп тұрған кезде есік немесе сыртқы бет қызуы мүмкін.

**31.** Назар аударыңыз: пайдалану кезінде қол жетімді бөліктер қызуы мүмкін. Кішкентай балаларды құрылғыға жібермеу керек.

**32.** Пайдалану кезінде құрылғы қызады. Пештің ішіндегі қыздыру элементтеріне қол тигізбеңіз.

**33.** Пайдалану кезінде беттер қызып кетуі мүмкін.



### **НАЗАР АУДАРЫҢЫЗ ЫСТЫҚ БЕТІ**

Тек үйде пайдалану үшін.

#### **ОРНАТУ**

**1.** Барлық қаптаманы алыңыз. Егер пеште қорғаныс пленкасы болса, оны қолданар алдында жыртып алыңыз. Құрылғыны зақымдануды мұқият тексеріңіз. Егер бар болса, дереу дилерге хабарлаңыз немесе пешті өндірушінің қызмет көрсету орталығына апарыңыз.

**2.** Микротолқынды пештер құрғақ және коррозиялық емес ортада, газ қыздырғыштары немесе су ыдыстары сияқты жылу мен ылғалдан алыс болуы керек.

**3.** Жеткілікті желдетуді қамтамасыз ету үшін микротолқынды пештің артқы жағынан қабырғаға дейінгі қашықтық кемінде 10 см, бүйірден қабырғаға дейінгі қашықтық кемінде 5 см, үстіңгі жағынан бос орын кемінде 20 см болуы керек.

**4.** Кедергі болмас үшін пеш теледидарлардан, радио қабылдағыштардан немесе антенналардан алыс болуы керек. Қашықтық 5 м-ден артық болуы керек.

**5.** Құрылғыны штепсель кіру аймағында болатындай етіп орналастыру керек және электр тогының соғуын болдырмау үшін ағып кету жағдайында тиісті жерге қосу қамтамасыз етілуі керек.

**6.** Микротолқынды пеш есік жабық күйде жұмыс істеуі керек.

**7.** Микротолқынды пешті шкафқа қоюға болмайды. Микротолқын-автономды пайдалануға арналған жаңа пеш.

**8.** Егер пештің қуысында немесе қыздыру элементінде тамақ қалдықтары немесе май қалса, әдетте түтін шығаратын иіс пайда болады. Бұл қалыпты жағдай және мұндай жағдайлар бірнеше рет қолданғаннан кейін пайда болмайды.

Тиісті желдетуді қамтамасыз ету үшін есікті немесе терезені ашық ұстаңыз. Сондықтан өте ұсынылады айналмалы табаққа бір кесе су салыңыз, жұмыс режимін жоғары қуатта орнатыңыз және бірнеше қыздыру циклын бастаңыз.

## ТАЗАЛАУ ЖӘНЕ КҮТІМ

### МИКРОТОЛҚЫНДЫ КҮТІМ



#### НАЗАР АУДАРЫҢЫЗ

Пешті үнемі тазалап, тамақ қалдықтарын алып тастау керек.



#### НАЗАР АУДАРЫҢЫЗ

1. Тазалау алдында қуат сымын розеткадан ажыратыңыз. Тазалау кезінде Құрылғыны суға немесе басқа сұйықтықтарға батырмаңыз.

2. Пешті таза ұстамау беттің сынуына әкелуі мүмкін, бұл құрылғының қызмет ету мерзіміне теріс әсер етуі мүмкін және қауіпті жағдайдың туындауына әкелуі мүмкін.

3. Құрылғының кез-келген бөлігін тазарту үшін ешқашан қатты жуғыш заттарды, бензинді, абразивті ұнтақты немесе металл щеткаларды пайдаланбаңыз.

4. Толқынның қақпағын шешпеңіз.

5. Егер микротолқынды пеш ұзақ уақыт бойы қолданылса, онда кейбір елдердің иісі болуы мүмкін. Төменде олардан арылуға көмектесетін 3 әдіс берілген:

a. лимонның бірнеше бөлігін шыныаяққа салыңыз, содан кейін оларды жоғары қуат режимінде 2-3 минут қыздырыңыз.

b. пешке бір кесе қызыл шай салыңыз, содан кейін оны жоғары қуат режимінде қыздырыңыз.

c. пешке кішкене апельсин қабығын салыңыз, содан кейін оны 1 минут жоғары қуат режимінде қыздырыңыз.



**НАЗАР АУДАРЫҢЫЗ:** Балалардың құрылғыны қараусыз пайдалануына, егер бала пешті қауіпсіз пайдалану туралы тиісті нұсқаулар алса және дұрыс пайдаланбау қаупін түсінсе ғана рұқсат етіледі.

### ТАЗАЛАУ БОЙЫНША КЕҢЕСТЕР

Есіктің тығыздағыштарын, қуыстарын және іргелес бөліктерін тазарту процедурасының сипаттамасы.

### Сыртқы беттер

Корпусты дымқыл, жұмсақ шүберекпен сүртіңіз.

**Есік**

Есік пен терезені дымқыл, жұмсақ шүберекпен сүртіңіз. Есіктің тығыздағыштары мен іргелес бөліктерін сүртіңіз,

төгілудің немесе шашыраудың іздерін кетіру үшін.

Басқару тақтасын сәл дымқыл, жұмсақ шүберекпен сүртіңіз.

**Ішкі беттер**

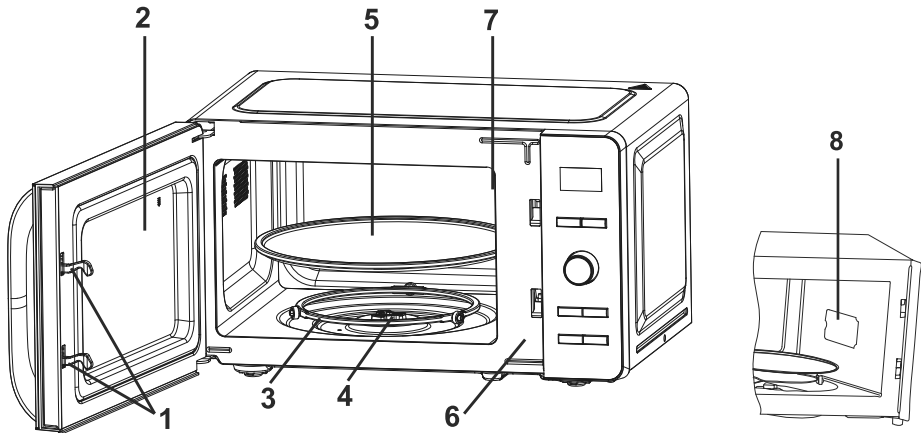
Қуысты дымқыл жұмсақ шүберекпен сүртіңіз.

Азық-түліктің шашырауын кетіру үшін sonotrode қақпағын сүртіңіз.

**Шыны науа / роликті тірек / айналмалы ось**

Жұмсақ сабын ерітіндісімен жуыңыз.

Таза сумен шайыңыз және толығымен құрғатыңыз.

**СЫРТҚЫ ТҮРІ МЕН ҚҰРЫЛҒЫСЫ****1. Есік бекіткіші**

Құрылғының жұмысы үшін микротолқынды пештің есігі тиісті түрде жабылуы керек.

**2. Қарау терезесі**

Пайдаланушыға дайындықты байқауға мүмкіндік береді.

**3. Роликті тіреуіш**

Шыны науа сақинаға орнатылады; ол науаны қолдайды және айналу кезінде тепе-теңдікті сақтауға көмектеседі.

**4. Айналмалы ось**

Шыны науа сақинаға орнатылады; ол науаны тірейді және айналу кезінде тепе-теңдікті сақтауға көмектеседі.

### 5. Шыны науа

Тағам шыны науаға қойылады, оны жұмыс кезінде айналдыру тағамды біркелкі дайындауға көмектеседі.



#### НАЗАР АУДАРЫҢЫЗ

- Алдымен роликті тіректі орнатыңыз.
- Шыны науаны айналмалы оське орнатыңыз және оның дұрыс орнатылғанына көз жеткізіңіз.

### 6. Басқару тақтасы

Толығырақ сипаттама төменде келтірілген (басқару тақтасын ескертусіз өзгертуге болады).

### 7. Пештің корпусы

### 8. Толқынды қақпақ

Ол микротолқынды пештің ішінде, басқару тақтасының қабырғасында орналасқан.



#### НАЗАР АУДАРЫҢЫЗ

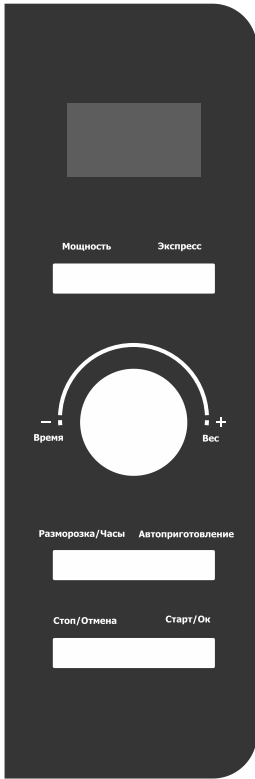
Ешқашан толқындық қақпақты шешпеңіз

## БАСҚАРУ ПАНЕЛІ

### ҚУАТ

Бұл батырма 5 қуат режимінің біреуін таңдауға мүмкіндік береді:

100P	Максималды қуат	Пештің 100% қуаты	Жылдам үшін қолайлы. Және мұқият дайындау
80P	Жоғары қуат	Пештің 80% қуаты	Орташа дайындыққа дейін жылдам пісіру үшін қолайлы
60P	Орташа қуат	Пештің 60% қуаты	Бумен пісіру үшін қолайлы
40P	Төмен қуат	Пештің 40% қуаты	Өнімдерді жібіту үшін қолайлы
20P	Минималды қуат	Пештің 20% қуаты	Жылуды сақтау үшін қолайлы



## ЭКСПРЕСС

Максималды қуатта жылдам пісіру уақытын таңдау.

## РАЗМОРОЗКА/ЧАСЫ

Сағат параметрі, кешіктіріп бастау функциясы, тағамды жібіту.

## СТАРТ/ОК

Пісіруді бастаңыз, таңдауды растаңыз.

## СТОП/ОТМЕНА

Пісіруді тоқтатыңыз, таңдалған параметрлерден бас тартыңыз.

## АВТОПРИГОТОВЛЕНИЕ

Автоматты пісіру режимін таңдау.

## ВРЕМЯ/ВЕС

Жібіту режимінде сағаттарды, минуттарды, пісіру уақытын және салмақты орнату.

## МИКРОТОЛҚЫНДЫ ПЕШТІ ПАЙДАЛАНУ

### ЖҰМЫСТЫ БАСТАУ

Қуат көзіне қосылған кезде «0:00» дисплейі жанады және құрылғы күту режиміне өтеді.

## САҒАТТЫ ОРНАТУ

1. Сағатты орнату үшін түймесін 3 секунд басып тұрыңыз **РАЗМОРОЗКА/ЧАСЫ**.
2. Дөңгелектің көмегімен **ВРЕМЯ/ВЕС** сағатты орнатыңыз.
3. Түймесін қайтадан басыңыз **РАЗМОРОЗКА/ЧАСЫ** минуттарға өту үшін.
4. Дөңгелектің көмегімен **ВРЕМЯ/ВЕС** минуттарды орнатыңыз.
5. Сағат параметрлерін сақтау үшін түймесін басыңыз **РАЗМОРОЗКА/ЧАСЫ** немесе 5 секунд күтіңіз.

## ДАЙЫНДАУ

1. Тамақты контейнерге немесе басқа қолайлы ыдысқа шыны науаға салыңыз да, есікті жабыңыз.
2. Түймені кезекпен басу арқылы қажетті қуат деңгейін таңдаңыз **МОЩНОСТЬ**.

3. Дөңгелекті айналдыру арқылы пісіру уақытын орнатыңыз **ВРЕМЯ/ВЕС**. Максималды пісіру уақыты – 60 минут.

4. Түймесін басыңыз **СТАРТ/ОК** пісіруді бастау үшін.

5. Егер пісіру процесін кідірту қажет болса, кез-келген уақытта есікті ашып, оны жауып, түймесін қайтадан басыңыз **СТАРТ/ОК**.

6. Пісіру аяқталғаннан кейін дыбыстық сигнал естіледі. Егер сіз есікті ашпасаңыз, пісірудің аяқталғанын еске түсіру үшін дыбыстық сигнал әр 3 минут сайын шығады.



### НАЗАР АУДАРЫҢЫЗ

Егер сіз тағамды пісіру уақыты аяқталғанға дейін пештен шығарып алсаңыз, параметрлерді қалпына келтіру үшін **СТОП/ОТМЕНА** түймесін екі рет басыңыз. Бос пештің іске қосылуын болдырмау үшін.



### НАЗАР АУДАРЫҢЫЗ

Пешті ешқашан бос қоспаңыз/

### ЖЫЛДАМ ПІСІРУ

Бұл функция сізге уақытты орнату қадамдарының барлық тізбегін жасамай, мысалы, бір стакан суды тез жылытуға мүмкіндік береді.

Ол үшін «**ЭКСПРЕСС**» түймесін басыңыз. Оны басқан кезде дисплейде сандар дәйекті түрде пайда болады 00:30, 1:00, 1:30. Тиісті уақытты таңдап, «**СТАРТ/ОК**» түймесін басыңыз. Дыбыстық сигнал жұмыстың аяқталғаны туралы хабарлайды.

### ЕРІТУ

Жібіту режимін таңдау үшін түймесін басыңыз **РАЗМОРОЗКА/ЧАСЫ** осы батырманы басқан кезде дисплейде D.1-d.2-d.3 дәйекті түрде көрсетіледі.

d.1	Етті жібіту үшін, салмағы 0,1 ~ 2,0 кг
d.2	Құстарды жібіту үшін, салмағы 0,2 ~ 3,0 кг
d.3	Теңіз өнімдерін еріту үшін, салмағы 0,1 ~ 0,9 кг

Өнім түрін таңдаңыз. Содан кейін дөңгелекті пайдаланып, **ВРЕМЯ/ВЕС** салмақ салмағын орнатыңыз және **СТАРТ/ОК** түймесін басыңыз. Жұмыс барысында дыбыстық сигнал естіледі, ол сізге өнімді аудару керек екенін еске салады. Өнімді аударғаннан кейін, жібітуді жалғастыру үшін **СТАРТ/ОК** түймесін басыңыз. Дыбыстық сигнал жұмыстың аяқталғаны туралы хабарлайды.



## НАЗАР АУДАРЫҢИЗ!

- a. Біркелкі әсер алу үшін жұмыс кезінде өнімдерді бұру керек
- b. Әдетте пісіруге қарағанда жібітуге көп уақыт кетеді.
- c. Егер өнімді пышақпен кесуге болатын болса, онда Ұсақтау процесі аяқталған деп санауға болады.
- d. Микротолқынды толқындар 4 см – де көптеген тамақ өнімдеріне енеді.
- e. Еріген тағамды мүмкіндігінше тезірек қолдану керек, оны қайтадан тоңазытқышқа салып, қайтадан мұздату ұсынылмайды.

### АВТО ДАЙЫНДАУ

Бұл модельде қарапайым тағамдарды дайындауға арналған сегіз алдынала орнатылған бағдарламалар бар: картоп, спагетти, пицца, попкорн, көкөністер, сусындар, ет және балық.

Дисплей	Бағдарлама	Бағдарламаға түсініктемелер
A.1	Попкорн	Салмағы 85 г попкорн пакетін дайындауға жарамды. шертулер саны 1-2 секундта 1-ге дейін қысқарғаннан кейін <b>СТОП/ОТМЕНА</b> түймесін басыңыз.
A.2	Попкорн	Тек 5 опция (0,2; 0,4; 0,6; 0,8; 1,0 кг).
A.3	Сусындар	Көлемі 250 мл сұйықтықтарды жылытуға арналған. Кең аузы бар ыдысты пайдалану ұсынылады және оны жабуға болмайды.
A.4	Пицца	Ол пиццаның 1-2 тілімін жылытуға арналған.
A.5	Картоп	Көлемі 5x5x5 мм картоп текшелерін дайындауға арналған.жалпы салмағы шамамен 0,45 кг. ылғалдың жоғалуын болдырмас үшін текшелерді үлкен табаққа жайып, пленкамен жабыңыз.
A.6	Көкөністер	Тек 5 опция (0,1; 0,2; 0,3; 0,4; 0,5 кг).
A.7	Ет	Тек 5 опция (0,1; 0,2; 0,3; 0,4; 0,5 кг).
A.8	Балық	Тек 5 опция (0,1; 0,2; 0,3; 0,4; 0,5 кг).

Доңғалақты пайдаланып **АВТОПРИГОТОВЛЕНИЕ** сізге қажет бағдарламаны таңдап, **СТАРТ/ОК** түймесін басыңыз. Дыбыстық сигнал жұмыстың аяқталғаны туралы хабарлайды.

**НАЗАР АУДАРЫҢЫЗ!**

**а.** Пісіру алдында тағамның температурасы 20-25 °С болуы керек. Пісірер алдында тағамның жоғары немесе төмен температурасы пісіру уақытын көбейтуді немесе азайтуды қажет етеді.

**б.** Тағамның температурасы, салмағы мен формасы аспаздық әсерге айтарлықтай әсер етеді. Егер жоғарыдағы мәзірде көрсетілген коэффициенттен қандай да бір ауытқу анықталса, ең жақсы нәтижеге қол жеткізу үшін дайындық уақытын реттей аласыз.

**КЕЙІНГЕ ҚАЛДЫРЫЛҒАН БАСТАУ**

Бұл функция белгілі бір уақытта дайындықты автоматты түрде бастауға мүмкіндік береді.

Кешіктірілген бастау функциясын қолданар алдында микротолқынды пеште сағатты дұрыс конфигурациялауды ұмытпаңыз (осы Нұсқаулықтың сағатты баптау тармағын қараңыз).

1. Қуат түймесін кезекпен басу арқылы қажетті қуат деңгейін таңдаңыз.
2. Автоматты дайындау **ВРЕМЯ / ВЕС** айналдыру арқылы пісіру уақытын орнатыңыз.
3. Кешіктіріп бастау уақытын орнату үшін **РАЗМОРОЗКА/ЧАСЫ** түймесін 3 секунд басып тұрыңыз.
4. Дөңгелекті пайдаланып, **ВРЕМЯ / ВЕС** сағатты орнатыңыз.
5. Минуттарға өту үшін **РАЗМОРОЗКА/ЧАСЫ** түймесін қайтадан басыңыз.
6. Дөңгелекті пайдаланып, **ВРЕМЯ / ВЕС** минутты орнатыңыз.
7. Параметрлерді сақтау үшін түймесін басыңыз **РАЗМОРОЗКА/ЧАСЫ** тағы бір рет.

Кешіктірілген іске қосуды орнату аяқталды, пісіру белгіленген уақытта автоматты түрде басталады. Кешіктіріп бастау уақытын **РАЗМОРОЗКА/ЧАСЫ** түймесін басу арқылы тексеруге болады.



**НАЗАР АУДАРЫҢЫЗ!** Ешқашан настраивайте кейінге қалдырылған старт, алдын-ала емес, содан кейін азық-қысқа толқынды пеш.

**КӨП КЕЗЕҢДЕРІ БАР ПІСІРУ**

Жақсы нәтижеге қол жеткізу үшін кейбір рецепттер тағамды әртүрлі қуатта әр түрлі уақытта пісіруді талап етеді. 4 пісіру кезеңіне дейін бағдарламалауға болады.

**1. МОЩНОСТЬ** түймесін рет-ретімен басу арқылы пісірудің бірінші кезеңі үшін қажетті қуат деңгейін таңдаңыз.

**2. ВРЕМЯ / ВЕС** дөңгелегін бұрау арқылы пісіру уақытын орнатыңыз.

**3.** Түймешікті рет-ретімен басу арқылы пісірудің екінші және одан кейінгі кезеңдері үшін (максимум 4) қажетті қуат деңгейін таңдаңыз **МОЩНОСТЬ**.

**4. ВРЕМЯ / ВЕС** дөңгелегін бұрау арқылы пісіру уақытын орнатыңыз.

**5.** Орнатылған бағдарлама ретіне сәйкес пісіруді бастау үшін **СТАРТ/ОК** түймесін басыңыз.

### АТА-АНА ҚҰЛПЫ

Бұл функцияны тазалау кезінде басқару тақтасын құлыптау үшін немесе балалар пешті қараусыз пайдаланбау үшін пайдаланыңыз.

**a.** Құлыпты орнату: **СТОП/ОТМЕНА** түймесін шамамен 3 секунд ұстап тұрыңыз.

**b.** Құлыпты алып тастау: **СТОП/ОТМЕНА** түймесін шамамен 3 секунд ұстап тұрыңыз

### ЫДЫС-АЯҚТЫ ПАЙДАЛАНУ ЖӨНІНДЕГІ НҰСҚАУЛЫҚ

Микротолқынды пеште пісіру үшін қолайлы және қауіпсіз контейнерлерді пайдалану ұсынылады. Жалпы, ыстыққа төзімді керамикадан, шыныдан немесе пластиктен жасалған ыдыстар микротолқынды пеште дайындау үшін жарамды. Ешқашан микротолқынды және аралас пісіру үшін металл контейнерлерді пайдаланбаңыз, себебі ұшқын пайда болуы мүмкін. Төмендегі кестені тексеруге болады.

Контейнер материалы	Мүмкіндік микротолқынды пеште қолдану	Пікір
Ыстыққа төзімді керамика	Иә	Ешқашан керамиканы металл жиекпен немесе жылтырмен пайдаланбаңыз
Ыстыққа төзімді пластик	Иә	Микротолқынды пеште ұзақ уақыт пісіру үшін қолдануға болмайды
Ыстыққа төзімді шыны	Иә	
Пластикалық пленка	Иә	Керек кезінде етті пісіру немесе кесу, өйткені қызып кету пленканы зақымдауы мүмкін.

Грильге арналған тор	Жоқ	
Металл контейнер	Жоқ	Микротолқынды пеште қолдануға болмайды. Микротолқындар металл арқылы өтпейді.
Лак	Жоқ	Ие, жаман жаростойкостью. Жоғары температурада пісіру үшін қолдануға болмайды температура
Бамбук ағашы және қағаз	Жоқ	Ие, жаман жаростойкостью. Жоғары температурада пісіру үшін қолдануға болмайды температура

## ПІСІРУ БОЙЫНША КЕҢЕСТЕР

Пісіру нәтижесіне келесі факторлар әсер етуі мүмкін:

### Өнімдердің орналасуы

Қалың кесектерді табақтың шеттеріне, жұқа кесектерді орталыққа жақын орналастырыңыз және өнімдерді біркелкі таратыңыз. Мүмкіндігінше бөліктерді бір-біріне салмаңыз.

### Пісіру уақыты

Дайындықты қысқа уақыттан бастаңыз, нәтижені аяқтағаннан кейін бағалаңыз және нақты қажеттілікке сәйкес уақытты ұзартыңыз. Тым ұзақ пісіру уақыты түтін мен жануға әкелуі мүмкін.

### Тамақты біркелкі дайындау

Тауық еті, гамбургер немесе стейк сияқты тағамдарды пісіру кезінде бір рет аудару керек.

Тағамның түріне байланысты, мүмкін болса, оны пісіру кезінде шетінен ыдыс-аяқтың ортасына бір немесе екі рет араластырыңыз.

### Үзінді

Пісіру уақыты аяқталғаннан кейін тағамды пешке белгілі бір уақытқа қалдырыңыз, бұл пісіру циклін аяқтауға және біртіндеп салқындауға мүмкіндік береді.

### Тамақтануға дайындық

Тағамның түсі мен қаттылығы тағамның дайын екендігін анықтауға көмектеседі, сонымен қатар бұл белгілерге мыналар жатады:

- Шеттерде ғана емес, тағамның барлық бөліктерінен шыққан бу
- Құстың буындары оңай қозғалады
- Шошқа етінде немесе құста қан іздері жоқ
- Балық жарқырауды тоқтатты және шанышқымен оңай кесіледі.

### **Қуыруға арналған тағам**

Ыдысты қуыру немесе өзін – өзі жылыту үшін қолданған кезде, айналмалы табақ пен айналмалы сақинаға зақым келтірмеу үшін оның астына әрдайым ыстыққа төзімді оқшаулағыш, мысалы, Фарфор тақтайшасын орнатыңыз.

### **Микротолқынды пешке арналған пластикалық пленка**

Май мөлшері жоғары тағамды дайындау кезінде пластикалық пленканың тамақпен жанасуына жол бермеңіз, ол қанша еруі мүмкін.

### **Микротолқынды пешке арналған пластикалық ыдыс**

Микротолқынды пешке қауіпсіз кейбір пластикалық контейнерлер май мен қант мөлшері жоғары тағамдарды дайындауға жарамсыз болуы мүмкін. Бұдан басқа, ыдысты пайдалану жөніндегі нұсқаулықта көрсетілген қыздыру уақытынан аспауға тиіс.

## **ҚЫЗМЕТ КӨРСЕТУ**

### **ТЕХНИЧЕСКОЕ ОБСЛУЖИВАНИЕ**

Қызмет көрсету алдында мыналарды тексеріңіз:

1. Шыны стаканға бір стакан су құйыңыз (шамамен 150 мл), пешке салыңыз және есікті мықтап жабыңыз. Егер есік дұрыс жабылса, пештің шамы сөніп қалуы керек. Пешті 1 минут жұмыс істеңіз.
2. Пештің шамы жанып тұр ма?
3. Салқындату желдеткіші жұмыс істей ме?  
(Қолыңызды артқы желдеткіштерге қойыңыз.)
4. Айналмалы табақ айнала ма? (Айналмалы табақ бағытта айналуы мүмкін сағат тіліне қарсы немесе сағат тіліне қарсы. Бұл әбден қалыпты жағдай.)
5. Пеш ішіндегі су ыстық па?

Егер жауап «ЖОҚ» кез келген вышеперечислен – лық мәселелерді тексеріңіз сіздің розеткаға тығыңыз және сақтандырғыш в есептеуіштегі.

Егер розетка да, сақтандырғыш та жақсы жұмыс істесе, ең жақын қызмет көрсету орталығына хабарласыңыз.

## ҚЫЗМЕТ КӨРСЕТУ КЕЗІНДЕГІ ҚАУІПСІЗДІК ШАРАЛАРЫ

**Абайлаңыз:** микротолқынды сәуле

1. Жоғары кернеулі Конденсатор өшірілгеннен кейін зарядты сақтайды; жоғары кернеулі конденсатордың теріс терминалын пештің корпусына ауыстырыңыз (бұрағышты қолданыңыз), оны ұстамас бұрын оны босатыңыз.

2. Қызмет көрсету кезінде төменде көрсетілген бөлшектер алынып тасалады және жерге 250 В-тан жоғары потенциалдарға қол жеткізуге мүмкіндік береді.

- Магнетрон
- Жоғары вольтты трансформатор
- Жоғары вольтты конденсатор
- Жоғары вольтты диод
- Жоғары вольтты сақтандырғыш

3. Келесі жағдайлар қызмет көрсету кезінде микротолқынды сәулеленудің жағымсыз әсерін тудыруы мүмкін.

Магнетронды дұрыс орнатпау;

Құлыптау құрылғысының, есіктің, есіктің ілмектерінің және есіктің сәйкес келмеуі;

Ажыратқыш тіректерін дұрыс орнатпау; Есік, есіктің тығыздалуы немесе корпус зақымдалған.

*Ескерту:*

*Техникалық сипаттамалар мен дизайнды тұрақты жетілдіруге сәйкес өзгерістерді алдын ала хабарламай – ақ енгізуге болады.*

### ҚАУІПСІЗ КӘДЕГЕ ЖАРАТУ



Бұл таңбалау көрсетеді, бұл бұл бұйым жөн кәдеге жаратуға қарапайым бытовые қалдықтар. Яғни, сдайте пайдаланылған бұйымды қабылдау пункті үшін электр және электронды жабдықтар өңдеу. Кейбір елдерде, соның ішінде ЕО елдерінде, арнайы схемасын жинау, пайдаланылған электр және электронды жабдық. Ережелерін сақтай отырып кәдеге жарату жабдықтарды, сіз саласыз өз үлесін сақтап, денсаулығын және қоршаған ортаны, адамзат. Қайталама материалдарды қайта өңдеу сақтайды табиғи ресурстар. Сондықтан, оқасы жоқ выбрасывайте пайдаланылған жабдық бірге тұрмыстық қалдықтарды. Егжей-тегжейлі ақпарат туралы қайталама қайта өңдеу жабдықтарын сіз алуға сервисінде қалдықтарды қайта өңдеу бойынша немесе сауда нүктесінде, онда сіз сатып бұл өнім.

## ТЕХНИКАЛЫҚ СИПАТТАМАЛАРЫ

Үлгі: HMW-20ST03

Ішкі көлемі: ~ 20 л

Электр Қуат Көзі: 220В ~ 50 Гц

Потребляемая қуаты: 1150 Вт

Шығу қуаты: 700 Вт

Жиілігі магнетрона: 2450 МГц

5 қуат деңгейі

8 АВТО дайындау бағдарламалары жылдам бастау

Часы

Таймер 60 минутқа

Жібіту функциясы

Сигналды аяқтау

Түсі: сұр, кілегей

Қуат сымының ұзындығы: 0,75 м

Мөлшері (ШхГхВ): 451\*258\*344 мм

Салмағы: 10,2 кг

## ЖЕТКІЗУ ЖИЫНТЫҒЫ

- Микротолқынды пеш
- Роликті жіберуші
- Шыны тұғырық
- Пайдаланушы нұсқаулығы
- Кепілдік талоны



## МИКРОТОЛҚЫНДЫ ПЕШ HMW-20ST03

Өнім барлық белгіленген Кеден одағының техникалық регламенттерінде бағалау рәсімін таңбаланады өнім айналымының бірыңғай белгісімен нарығында мүше мемлекеттердің КО.

Нөмірі туралы ақпаратты сертификат/декларация сәйкестік және оның қолданылу мерзімі, Сіз жерде өнімді сатып алу HARPER немесе импортердің.

Өндірілген күні қаптамада көрсетілген.

Қызмет мерзімі бұйым – 36 ай

Кепілдік мерзімі – 12 ай

Кепілдік қызмет көрсету жүзеге асырылады сәйкес қоса беріліп отырған кепілдік талоны. Кепілдік талоны және пайдалану жөніндегі басшылық ажырамас бөліктері болып табылады және осы бұйымдар.

Қосымша ақпаратты тауар туралы деректері авторландырылған сервис орталығының сайтынан [www.harper.ru](http://www.harper.ru) немесе телефон арқылы техникалық қолдау 8-800-600-7107

Дайындаушы: Harper International Trading Limited-15F, Radio City, 505 Hennessy Road, Causeway Bay, Гонконг

ҚХР-да жасалған

Импорттаушы/ұйым уәкілетті қабылдау туралы шағымдар:

ООО «Прогресс-Плюс» 119607, г. Москва, ул. Удальцова., 50-үй, корп.1,

тел: +74951330210

