



User guide **ENG**

Руководство по эксплуатации **RUS**

Нұсқаулық пайдалану **KAZ**



FOOD WASTE DISPOSER

ИЗМЕЛЬЧИТЕЛЬ ПИЩЕВЫХ ОТХОДОВ

АЗЫҚ-ТҮЛІК ҚАЛДЫҚТАРЫН ЖИНАҒЫШ

**HWD-400D01, HWD-600D01,
HWD-600D02, HWD-800D01**

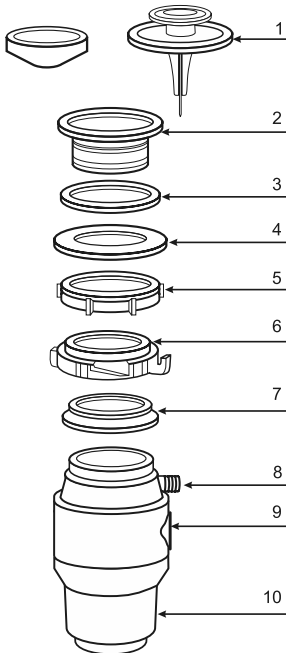
Thank you for choosing a HARPER product. Please read the operating instructions before using them and save them in case you have any questions about servicing the device.

INTENDED USE

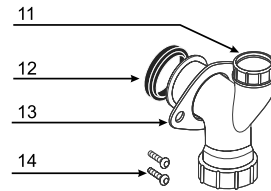
The electric food waste disposer is designed for the disposal of food waste through the drain into the sewer. It is installed between the sink and the sewer, as an alternative and in addition to the trash can, eliminates the passage of insects through the drain pipes / sewers, as well as the formation of unpleasant odors.

INTRODUCTION OF COMPONENTS

HWD-400D01



1. Splash-guard and plunger plug
2. Mounting flange-outlet
3. Soft gasket
4. Rigid gasket
5. Mounting flange nut
6. Bayonet flange
7. Throat O-ring
8. Sink overflow inlet
9. Disposer outlet
10. Disposer body



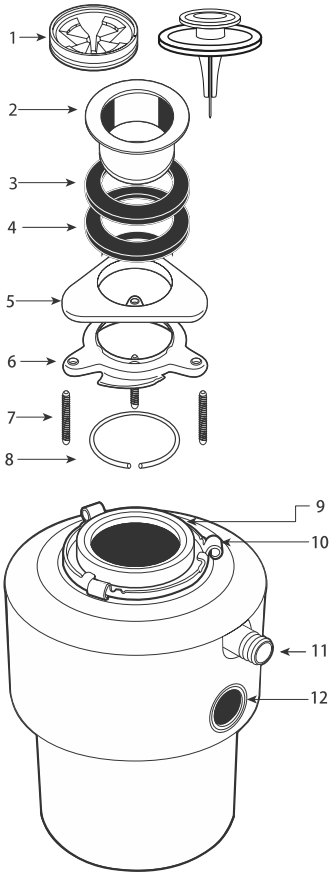
11. Washer / dishwasher drain inlet
12. Sealing ring
13. Drain pipe flange
14. Flange fixing screws

HWD-600D01, HWD-600D02 HWD-800D01

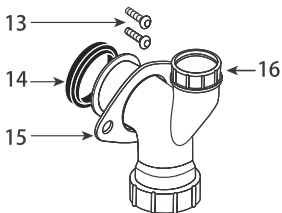
1. Mesh plug (some models are equipped with a splash-guard)
2. Mounting flange-outlet
3. Soft gasket
4. Rigid gasket
5. Clamping triangular flange
6. Stop flange-bayonet
7. Thrust screws (3 pcs.)
8. Retaining ring of the thrust flange
9. Throat O-ring
10. Disposer bayonet flange
11. Sink overflow inlet

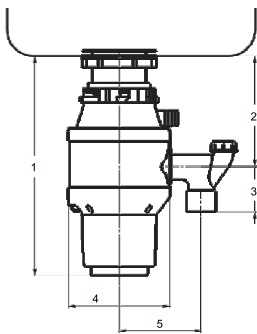
**FOOD WASTE DISPOSER
INSTALLATION DIAGRAM**

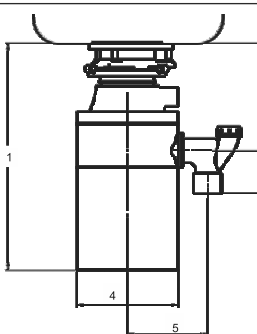
Check if there is enough free space.

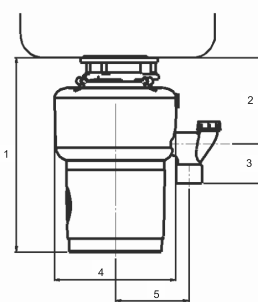


- 12. Disposer outlet
- 13. Flange fixing screws
- 14. Sealing ring
- 15. Drain pipe flange
- 16. Washer / dishwasher drain inlet

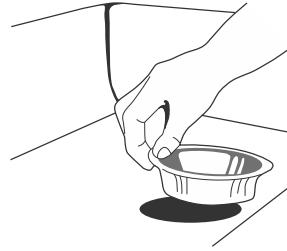


Model	HWD-400D01
Installation schematic	
1	344 mm
2	180 mm
3	69 mm
4	155 mm
5	127 mm

Model	HWD-600D01
Installation schematic	
1	362 mm
2	170 mm
3	69 mm
4	160 mm
5	127 mm

Model	HWD-600D02, HWD-800D01
Installation schematic	
1	340 mm
2	149 mm
3	69 mm
4	210 mm
5	127 mm

outlet up through the hole and remove it.



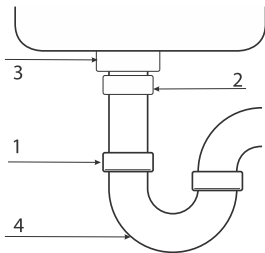
4. Clean the bottom of the sink around the drain to remove debris, dirt and sealant residues.

NOTE. In some sinks, it may be necessary to enlarge the drain hole to fit the grinder mounting flange. Drain extension hardware sold separately.

DISMANTLING THE OUTLET OF THE KITCHEN SINK

ATTENTION!

Use protective goggles and gloves when installing the disposer.



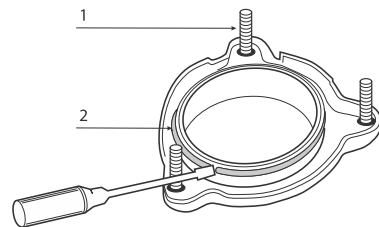
1. Loosen the nut (1) of the siphon (4) with a pipe wrench.
2. Unscrew the nut (2) of the intake pipe and remove the pipe.
3. Unscrew the nut (3) securing the sink outlet and push the sink

DISASSEMBLY OF DISPOSER OUTLET MOUNTING FLANGE

HWD-400D01

1. Turn the mounting flange over and slide the bayonet flange to access the throat o-ring.
2. Remove the O-ring from the mounting flange. The other parts can then be removed from the mounting flange.

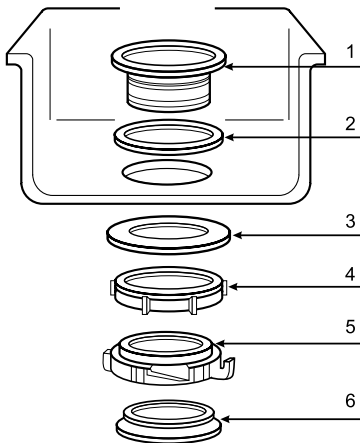
HWD-600D01, HWD-600D02, HWD-800D01



1. Turn the mounting flange over and unscrew the three retaining bayonet flange screws (1) to access the retaining ring (2).
2. Remove the retaining ring from the mounting flange using a screwdriver. The other parts can then be removed from the mounting flange.

INSTALLING THE MOUNTING FLANGE ON THE SINK

HWD-400D01



ATTENTION!

- The thickness of the bottom of the sink near the drain hole should not exceed 18 mm.
- Use only plumbing sealant to seal connections (if required).
- Do not use thread sealants, they may damage the product.

1. Slide a soft gasket (2) over the outlet mounting flange (1) and fit it into the sink hole.
2. From the underside of the sink, slide the rigid gasket (3) and the nut of the

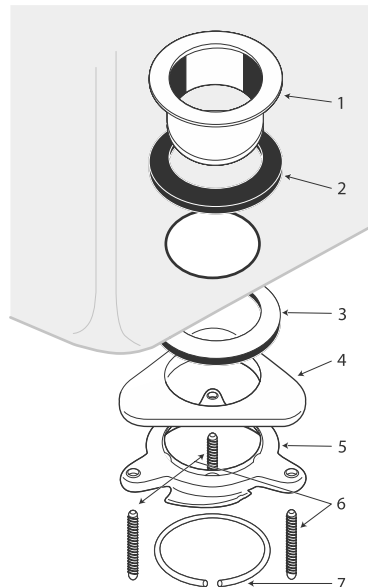
mounting flange (4) with the arrows pointing upwards onto the mounting flange. Hand tighten the nut until it stops.

3. On the upper side of the sink, check the position of the soft gasket (2) between the mounting flange (1) and the bottom of the sink. The gasket must be flanged tightly against the bottom of the sink for a tight connection.

4. On the underside of the sink, put on the bayonet flange (5) with the open slots down and slide it up.

5. While holding the bayonet flange in the up position, install the throat o-ring (6) into the annular groove of the mounting flange.

HWD-600D01, HWD-600D02, HWD-800D01



1. Slide a soft gasket (2) over the outlet mounting flange (1) and fit it into the sink hole.

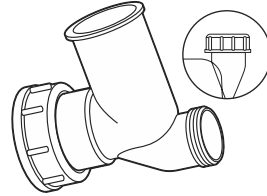
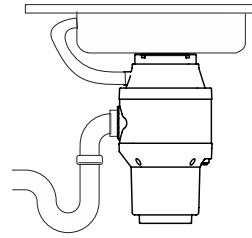
2. From the underside of the sink, slide the rigid gasket (3) onto the mounting

flange, the triangular pressure flange (4) with the flat side up and the stop bayonet flange (5) with the guides down.

3. Holding the parts put on the mounting flange (1) near the bottom of the sink, install the retaining ring (7) into the annular groove of the mounting flange.

4. Tighten three screws (6) in succession until the triangular flange and gasket stop in the bottom of the sink.

5. On the upper side of the sink, check the position of the soft gasket (2) between the mounting flange (1) and the bottom of the sink. The gasket must be flanged tightly against the bottom of the sink for a tight connection.



1. Lay the disposer on its side and insert a large screwdriver into the nipple until it stops.

2. Use a few hammer blows on the handle of the screwdriver to knock out the plug.

3. Remove the knocked-out plug from the working chamber.

If it is necessary to connect a dishwasher drain, use the inlet on disposer drain pipe. There is also a factory plug in the branch pipe on the drain pipe, which must be knocked out with a large screwdriver and a hammer.

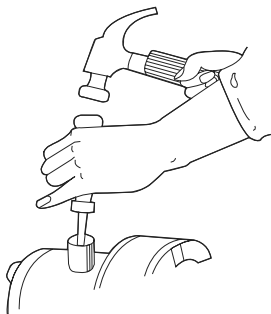
NOTE. The large screwed connection on the disposer drain pipe can also be used to connect a dishwasher.

CONNECTING THE OVERFLOW AND DISHWASHER

Some kitchen sinks are equipped with an overflow for water discharge and overflow protection.

ATTENTION!

- To connect the sink overflow pipe, use the upper inlet on the disposer body.
- Before connecting the overflow, it is necessary to remove the factory pipe plug.



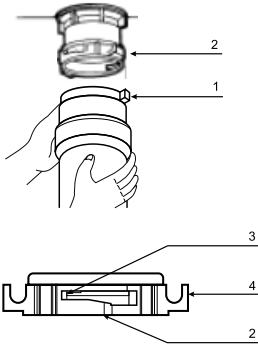
INSTALLING THE DISPOSER ON THE MOUNTING FLANGE

HWD-400D01

ATTENTION!

- The disposer is heavy, so use a small stand or ask for help to set it up.

• Before installing the disposer on the mounting flange, remove foreign objects from its working chamber.



1. Place disposer body on a stand under the mounting flange.

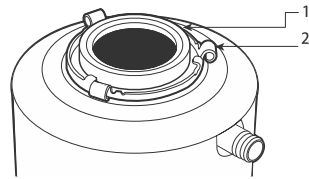
2. Rotate disposer body around its axis so that later on it is convenient to connect the drain pipe and, at the same time, provide easy access to the safety switch button located on the bottom (on the side wall in some models) of the disposer body.

3. Lift the disposer and slide it onto the mounting flange up to the stop. Make sure the O-ring does not fall off the mounting flange and the disposer slides over the mounting flange without skewing. Lubricate the O-ring with soapy water if necessary.

4. Turn the bayonet flange on the mounting flange so that hooks (1) of the disposer body enter the open slots of the bayonet flange (2) and begin to slide along them towards the stops (3).

5. Insert a screwdriver into the lug (4) of the bayonet flange or grasp the lug with pliers, then turn the flange until hooks reach the stops (3). Make sure all hooks on the disposer body are in the stops.

HWD-600D01, HWD-600D02, HWD-800D01



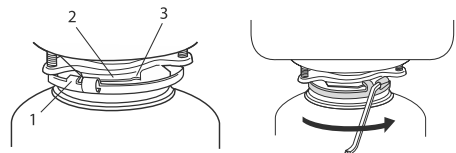
1. Install the bayonet flange (2) with the hooks upwards on the chopper neck, and then the O-ring (1).

2. Place disposer body on a stand under the mounting flange.

3. Rotate disposer body around its axis so that later on it is convenient to connect the drain pipe and, at the same time, provide easy access to the safety switch button located on the bottom (side wall in some models) of disposer body.

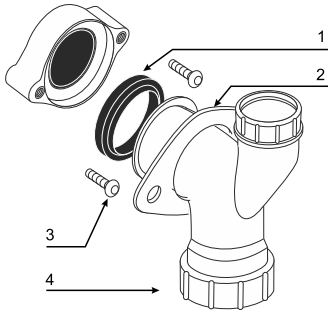
4. Lift the disposer and slide it onto the mounting flange up to the stop. Make sure the O-ring does not fall off the disposer throat and the disposer slides over the mounting flange without skewing.

5. Turn the bayonet flange on the disposer so that its hooks (1) enter between the guides (2) of the thrust bayonet flange and begin to slide along them towards the stops (3).



6. Insert a screwdriver into the lug of the bayonet flange or grasp the lug with pliers, then turn the flange until hooks reach the stops. Make sure all hooks on bayonet flange are in the stops.

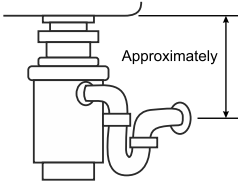
CONNECTING THE DISPOSER DRAIN PIPE TO THE SEWERAGE



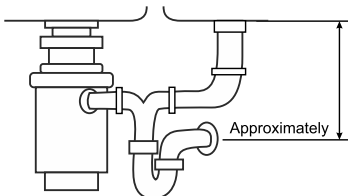
ATTENTION!

- Regularly check all connections for water leaks after installation and during operation of the disposer.
- Water leaks may result in property damage and the manufacturer can not be held liable for damage resulting from leaks.

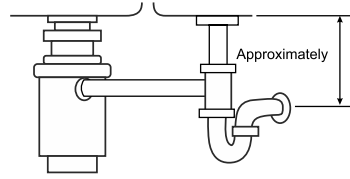
One sink



Double bowl sink with medium outlet



Double bowl sink with two bowls with end outlet



1. Put the flange (2) and then the O-ring (1) onto the drain pipe.
2. Insert the drain pipe firmly into the outlet of the disposer. Check that the O-ring fits into place without distortion.
3. Insert the screws (3) into the holes of the flange (2) and screw them into the threaded holes of the disposer body.
4. Tighten the screws in sequence so that the flange presses the O-ring without distortion.
5. Connect the disposer's drain pipe to the siphon. Connection options are shown in the figure.
6. Close the sink drain inlet with a plug stopper (in some models with a splash-guard and a pusher plug) and fill the sink three quarters with water.
7. Lift the mesh plug (remove the pusher plug) and while draining the water from the sink, check all connections for leaks.

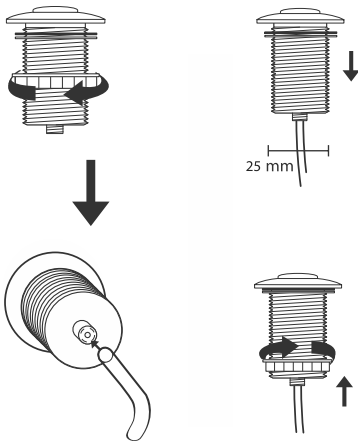
INSTALLATION OF THE PNEUMATIC BUTTON

To protect against electric shock in high humidity conditions, the disposer is equipped with a pneumatic button. The button is connected to the electrical switch using an air tube.

ATTENTION!

- Do not use a wrench to tighten the mounting and clamping nuts.
- In the disposer kit, one of the

clamping nuts can be screwed onto the pneumatic button fitting.



1. Drill a 25 mm hole in a suitable location on the worktop or top of the sink. Some sinks may have a prepared hole, to open which you need to remove the plug.

2. Insert the ends of the air tube into the clamping nuts of the fittings and slide the tube one centimeter inside the nuts. If one of the nuts is screwed onto the fitting of the pneumatic button, then it must be unscrewed.

3. Unscrew and remove the mounting nut from the air button body while holding the rubber gasket in place.

4. Place the air tube with the clamping nut on the air button fitting, slide the nut along the tube and tighten it on the fitting by hand until it stops.

5. Insert the other end of the air tube and then the air button body into the prepared hole.

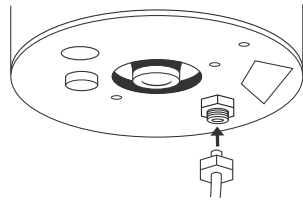
6. From the underside of the counter-top (or sink), put on the tube and push the previously removed mounting nut to the pneumatic button, then tighten it on the body by hand until it stops.

Make sure the air button fits tight in the mounting hole.

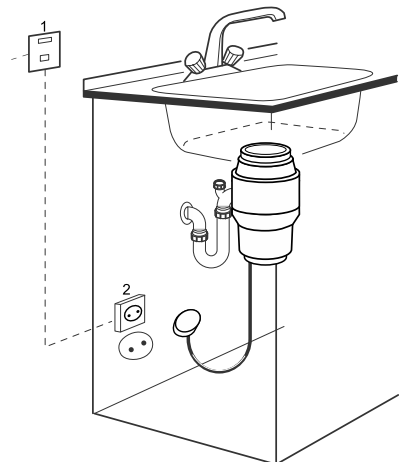
7. Slide the other end of the air tube with the clamping nut onto the socket of the electrical switch installed on the bottom (on the side wall on some models) of the disposer body.

8. Slide the clamping nut through the air tube up to the connection of the electrical switch and tighten it by hand until it stops.

9. Check the operation of the pneumatic button without connecting the disposer to the electrical network. After strong pressing the button for full stroke, a click should be heard in the disposer housing.



CONNECTING THE DISPOSER TO THE ELECTRIC MAINS



ATTENTION!

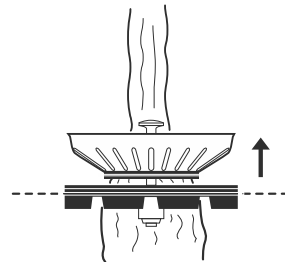
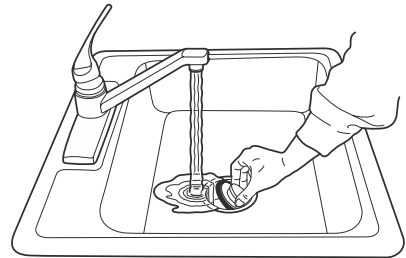
- The food waste disposer is designed to operate only on household power. Using a different voltage or frequency may damage the disposer.
- If the device is equipped with a 3-pin grounded electrical plug, use only a 3-pin grounded receptacle for connection.
- Modifications to the plug supplied with the device are not permitted.
- Failure to ground the equipment can result in electric shock.
- All electrical connections must comply with electrical codes and regulations.
- Do not connect the ground wire to the gas supply pipe.
- If the electrical cable is damaged, it must be replaced at a service center.
- To prevent electric shock, unplug the disposer before installing or servicing.
- If you are not qualified, call an electrician to connect the device to the mains.

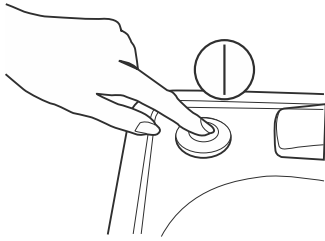
- Do not use hot water while grinding. Hot water is allowed to flow through the disposer between work sessions.
- Do not turn off the water until the waste is completely shredded. While the disposer is running, the noise of engine and flowing water should be heard.
- Do not dispose large amounts of eggshells, fibrous materials (corn cobs, artichokes, etc.) to avoid blocking the drain.
- Never pour oil or grease into the dispose, as this will contaminate the working chamber and clog the drain.
- Do not fill the working chamber with a large amount of waste at once, load the waste into the disposer in portions.
- When the disposer is not in use, insert the push plug into the sink outlet (on some models). This will prevent foreign objects from entering the disposer working chamber.

USING OF A DISPOSER

ATTENTION!

- Do not use the disposer without a mesh plug or splash-guard installed. This will reduce the risk of injury from food waste particles that may be thrown out by the disposer during operation.
- Replace the mesh plug or splash-guard if it is worn out and does not protect against splashes and food waste particles.





1. Remove the mesh plug (or pusher plug on some models) from the sink outlet.
2. Run cold water and set the water flow to at least 6 l / min.
3. Load the working chamber with food waste. If a splash-guard is installed in the inlet, use a push plug.
4. Put the mesh plug (used in some models) in place, lift it to the top position and make sure that water flows freely into the working chamber.
5. Switch on the disposer using the pneumatic button.
6. After grinding is complete, switch off the device and let the water flow for another 15 seconds to rinse the drain pipe.

CLEANING THE DISPOSER CHAMBER

If an unpleasant odor begins to appear from the working chamber of the grinder, it is necessary to clean the grinder from accumulated food waste residues.

ATTENTION!

Be careful when cleaning the disposer drum, the sharp cutting edges of the impeller and the sidewalls of the grater can injure your hands.

1. Switch off the disposer using the pneumatic button and unplug it from

the electrical outlet. Press the pneumatic button several times and make sure that the disposer does not accidentally start during cleaning.

2. Clean the grinder chamber with a foam sponge and dish soap.
3. Close the drain plug of the sink and fill it halfway with hot water. Add 3 tablespoons of baking soda to the water and wait until it dissolves.
4. Connect the disposer to an electrical outlet.
5. Turn on the disposer using the pneumatic button and open the plug in the sink to rinse the working chamber with a soda solution.

CLEANING THE DRAIN PIPE

During the operation of the disposer, food waste is washed into the sewer by a stream of water from the sink tap. If the water flow is weak, food waste can accumulate in the horizontal sections of the drain pipe.

In case of blockage, remove the siphon and use a plumbing cable to clean the drain pipe to the sewer riser.

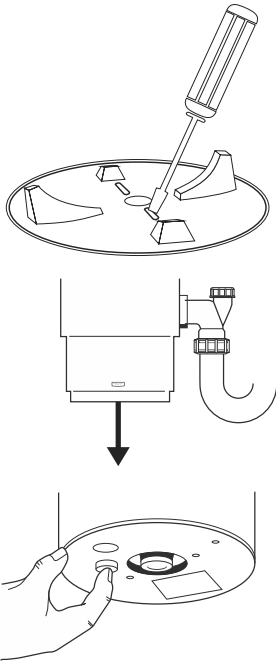
TROUBLESHOOTING OF THE DISPOSER

ATTENTION!

• If the pneumatic button does not work, it is necessary to unplug the disposer from the electrical outlet and check the connection of the air tube to the air button and the electrical switch on the bottom (side wall in some models) of the disposer body.

- *Make sure the disposer is unplugged from the electrical outlet before pressing the safety switch button, unclogging a blockage or removing foreign objects from the working chamber.*

If the engine stops while the disposer is running, a possible cause may be a blockage of the impeller with solid food waste. In this case, the impeller must be manually unlocked.



1. Switch off the disposer using the pneumatic button and unplug it from the electrical outlet. Press the pneumatic button several times and make sure that the disposer does not accidentally start during cleaning.
2. Insert a flat screwdriver into the slot on the impeller of the inside the disposer's working chamber. Turn it right and

left to unlock the impeller, then remove the screwdriver.

3. Remove foreign objects with a long pair of tweezers or forceps.

4. Allow the disposer motor to cool down for 3-5 minutes, then press the safety switch button located on the bottom (side wall in some models) of the disposer body.

5. If the disposer does not turn on with the air button, check the circuit breakers in the electrical panel.

TECHNICAL SPECIFICATIONS

Model	HWD-400D01	HWD-600D01	HWD-600D02	HWD-800D01
Power	0.5 hp	0.75 hp	0.75 hp	1 hp
Supply voltage	220-240 V 50-60 Hz	220-240 V 50-60 Hz	220-240 V 50-60 Hz	220-240 V 50-60 Hz
Rotational speed	3200 rpm	3600 rpm	3600 rpm	4000 rpm
Chamber volume	1.0 L	1.4 L	1.5 L	1.5 L
Performance	3.2 kg / min	4.5 kg / min	4.5 kg / min	5.2 kg / min
Inner chamber material	stainless steel	stainless steel	stainless steel	stainless steel
Pneumatic switch	yes	yes	yes	yes
Pusher plug	yes	yes	yes	yes
Splash-guard	yes	yes	yes	yes
Disposer weight	5.7 kg	6.9 kg	7.5 kg	7.5 kg

IMPORTANT SAFETY INSTRUCTIONS

IMPORTANT: READ ALL INSTRUCTIONS BEFORE USE. RETAIN INSTRUCTIONS FOR FUTURE REFERENCE.

WARNING: Basic safety precautions should always be observed when using an electrical appliance, including the following to reduce the risk of fire, electrical shock, or injury.

When using the food waste disposer, the following safety rules must be observed:

- Children should be supervised to ensure that they do not play with the disposer.
- Do not store flammable items such as rags, paper or aerosol cans near the disposer.
- Do not store or use gasoline or other flammable substances in the vicinity of the disposer.
- Only load food waste into the working chamber when the disposer is off.
- Do not allow the following items to fall into the disposer:
 - alkaline pipe cleaners (or similar chemicals),
 - large (hollow) bones,
 - shellfish shells,
 - glass, porcelain,
 - plastic,
 - metal objects (bottle caps, cans),
 - hot fat (or other hot liquids).
- Unplug the disposer from the electrical outlet before unclogging a blockage or removing food waste stuck in the working chamber of the disposer.
- Follow the directions in the “Troubleshoot your disposer” section to remove jammed waste yourself.

- Use long tweezers or tongs to remove stuck objects from the disposer chamber.
- Read the instructions in the section «Connecting the disposer to the electrical network».
- Call a qualified electrician if you are not familiar with the rules for wiring household electrical appliances.

DISPOSER MAINTENANCE

Please contact an authorized service center for maintenance or repair of the product. The warranty is cancelled in the following cases::

- if the product was used in violation of the requirements of these instructions,
- if there are traces of opening the product body for self-repair.

For more information, please refer to the warranty card attached to the product.



FOOD WASTE DISPOSER

**HWD-400D01, HWD-600D01,
HWD-600D02, HWD-800D01**

The products passed all the assessment procedures established in the technical regulations of the Customs Union and the Eurasian Economic Union.

The product complies with all necessary technical regulations of Eurasian Community. Detailed information about product certification, technical regulations, certificate number and date, validity period, issuing organization you can find on the website <http://harper.ru/certification> or by calling technical support 8-800-600-7107

Life duration of product: 36 months

Warranty period: 12 months

Warranty service is provided on the base of warranty card that goes together with thy product. Warranty card and User manual are inevitable parts of the product. For additional information about the product and authorized service centers you may find at www.harper.ru or by telephone 8-800-600-7107.

Manufacture: Harper International Trading Limited 15F, Radio City, 505 Hennessy Road, Causeway Bay, HongKong

Made in PRC

Importer: LLC «Progress-Plyus», App.11, floor 2, Build.50, k.1, Udaltsova Str., Moscow, Russia, 119607, tel: +74951330210, info@harper.ru



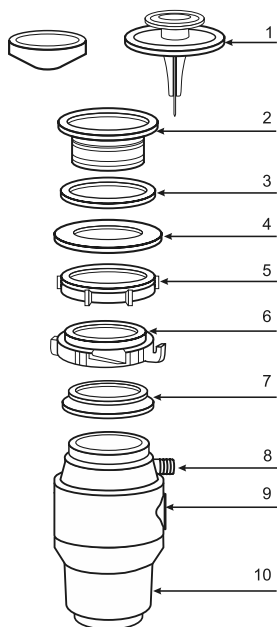
Благодарим Вас за выбор продукции HARPER. Перед началом сборки и эксплуатации ознакомьтесь с инструкцией по эксплуатации и сохраните ее на случай возникновения вопросов по обслуживанию устройства.

НАЗНАЧЕНИЕ ПРИБОРА

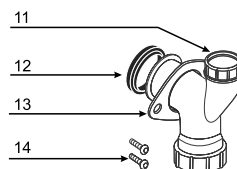
Электрический измельчитель пищевых отходов предназначен для утилизации пищевых отходов через слив в канализацию. Он устанавливается между мойкой и канализационным сливом, как альтернативу и в дополнение к мусорному ведру, предотвращает появление насекомых, а также появление неприятных запахов.

КОМПЛЕКТАЦИЯ

HWD-400D01



1. Защитная диафрагма и пробка-толкатель
2. Монтажный фланец-выпуск
3. Мягкая прокладка
4. Жёсткая прокладка
5. Гайка монтажного фланца
6. Фланец-байонет
7. Уплотнительное кольцо горловины
8. Приёмный патрубок перелива мойки
9. Выпускное отверстие измельчителя
10. Измельчитель



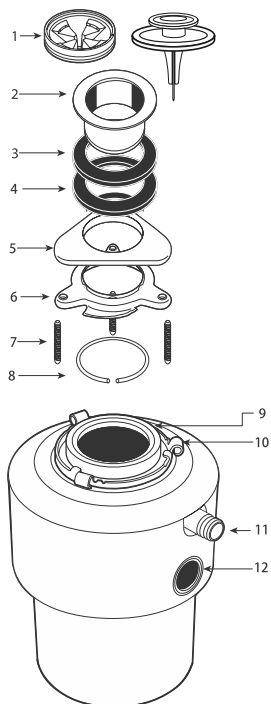
11. Приёмный патрубок слива стиральной/посудомоечной машины
12. Прокладка сливной трубы
13. Фланец сливной трубы
14. Крепежные винты фланца

HWD-600D01, HWD-600D02, HWD-800D01

1. Сетка-пробка (некоторые модели комплектуются резиновой диафрагмой)
2. Монтажный фланец-выпуск
3. Мягкая прокладка
4. Жёсткая прокладка
5. Прижимной треугольный фланец
6. Упорный фланец-байонет
7. Упорные винты (3 шт.)
8. Стопорное кольцо упорного фланца

СХЕМА УСТАНОВКИ ИЗМЕЛЬЧИТЕЛЯ

Проверить наличие достаточного свободного места.

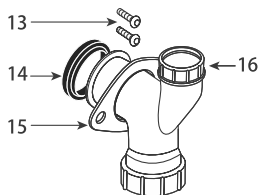


9. Уплотнительное кольцо горловины

10. Фланец-байонет измельчителя

11. Приёмный патрубок перелива мойки

12. Выпускное отверстие измельчителя

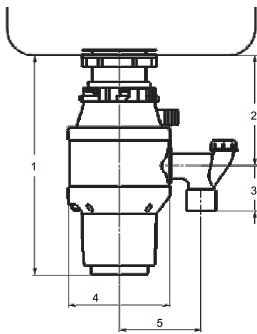


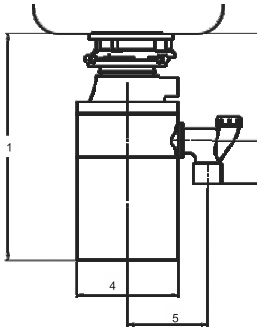
13. Крепежные винты фланца

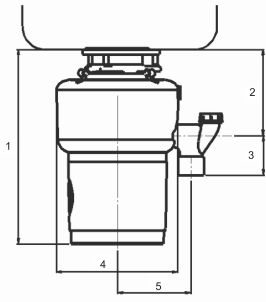
14. Прокладка сливной трубы

15. Фланец сливной трубы

16. Приёмный патрубок слива стиральной/посудомоечной машины

Модель	HWD-400D01
Схема установки	
1	344 mm
2	180 mm
3	69 mm
4	155 mm
5	127 mm

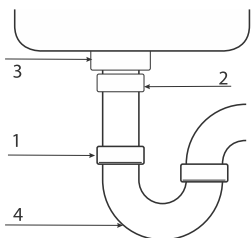
Модель	HWD-600D01
Схема установки	
1	362 mm
2	170 mm
3	69 mm
4	160 mm
5	127 mm

Модель	HWD-600D02, HWD-800D01
Схема установки	
1	340 mm
2	149 mm
3	69 mm
4	210 mm
5	127 mm

ДЕМОНТАЖ ВЫПУСКА КУХОННОЙ МОЙКИ

ВНИМАНИЕ!

Используйте защитные очки и перчатки во время установки измельчителя.



1. Ослабьте гайку (1) сифона (4) при помощи трубного ключа.
2. Открутите гайку (2) приёмной трубы и снимите трубу.
3. Открутите гайку (3) крепления выпуска мойки и протолкните вы-

пуск мойки вверх через отверстие и извлеките его.



4. Очистите дно мойки вокруг сливного отверстия от мусора, грязи и остатков герметика.

ПРИМЕЧАНИЕ

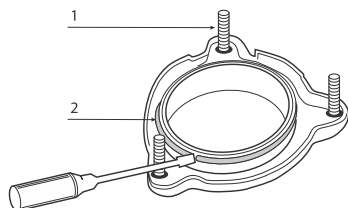
В некоторых мойках может потребоваться увеличить диаметр сливного отверстия для установки монтажного фланца измельчителя. Оборудование для расширения сливного отверстия приобретается отдельно.

РАЗБОРКА МОНТАЖНОГО ФЛАНЦА-ВЫПУСКА ИЗМЕЛЬЧИТЕЛЯ

HWD-400D01

1. Переверните монтажный фланец и сдвиньте фланец-байонет для доступа к уплотнительному кольцу горловины.
2. Снимите с монтажного фланца уплотнительное кольцо. После этого можно снять с монтажного фланца другие детали.

HWD-600D01, HWD-600D02, HWD-800D01



1 Переверните монтажный фланец и открутите три винта упорного фланца-байонета (1) для доступа к стопорному кольцу (2).

2 Снимите стопорное кольцо с монтажного фланца с помощью отвертки. После этого можно снять с монтажного фланца другие детали.

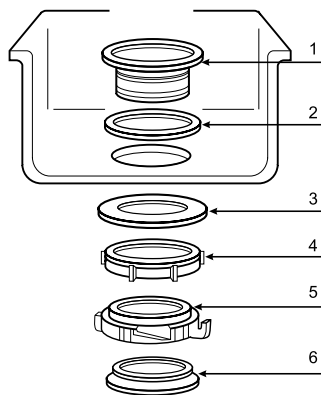
УСТАНОВКА МОНТАЖНОГО ФЛАНЦА НА МОЙКЕ

ВНИМАНИЕ!

- Толщина дна мойки возле сливного отверстия не должна превышать 18 мм.
- Используйте только сантехнический герметик для уплотнения соединений (если требуется).
- Не используйте герметики для резьбовых соединений, они могут повредить изделие.

HWD-400D01

1. Наденьте мягкую прокладку (2) на монтажный фланец-выпуск (1) и установите его в отверстие мойки.
2. С нижней стороны мойки наденьте на монтажный фланец жёсткую прокладку (3) и гайку монтажного фланца (4) стрелками вверх. Затяните гайку до упора от руки.



3. С верхней стороны мойки проверьте расположение мягкой прокладки (2) между монтажным фланцем (1) и дном мойки. Прокладка должна быть плотно прижата фланцем к дну мойки для герметичного соединения.

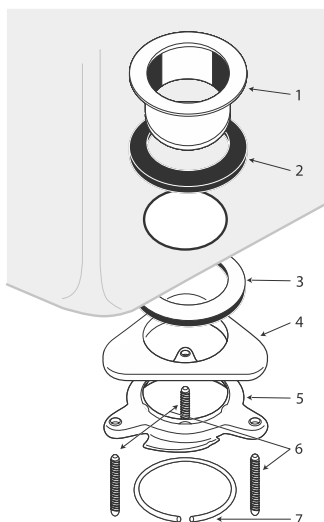
4. С нижней стороны мойки наденьте фланец-байонет (5) открытыми пазами вниз и сдвиньте его вверх.

5. Удерживая фланец-байонет в верхнем положении, установите уплотнительное кольцо горловины (6) в кольцевую проточку монтажного фланца.

HWD-600D01, HWD-600D02, HWD-800D01

1. Наденьте мягкую прокладку (2) на монтажный фланец-выпуск (1) и установите его в отверстие мойки.
2. С нижней стороны мойки наденьте на монтажный фланец жёсткую прокладку (3), прижимной треугольный фланец (4) плоской стороной вверх и упорный фланец-байонет (5) направляющими вниз.
3. Удерживая возле дна мойки надетые на монтажный фланец

(1) детали, установите стопорное кольцо (7) в кольцевую проточку монтажного фланца.



4. Последовательно затягивайте три винта (6) до упора прижимного треугольного фланца и прокладок в дно мойки.

5. С верхней стороны мойки проверьте расположение мягкой прокладки (2) между монтажным фланцем (1) и дном мойки. Прокладка должна быть плотно прижата фланцем к дну мойки для герметичного соединения.

СОЕДИНЕНИЕ ПЕРЕЛИВА МОЙКИ И ПОСУДОМОЕЧНОЙ МАШИНЫ

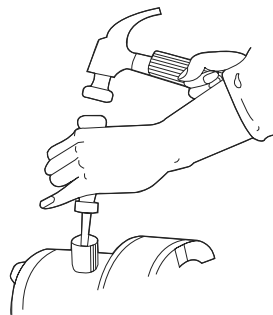
Некоторые кухонные мойки оснащены переливом для сброса воды и защиты от переполнения.

ВНИМАНИЕ!

• Для подсоединения трубки перелива мойки следует ис-

пользовать верхний приёмный патрубок на корпусе измельчителя.

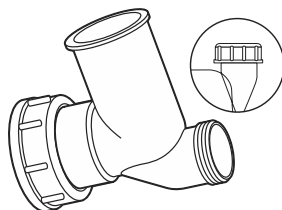
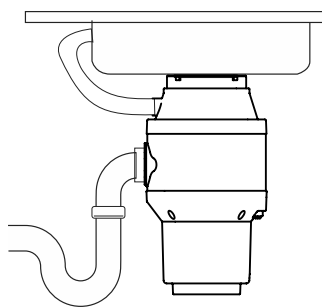
• Перед подсоединением перелива необходимо удалить заводскую заглушку патрубка.



1. Положите измельчитель набок и вставьте большую отвёртку в патрубок до упора.

2. Несколькими ударами молотка по ручке отвёртки выбейте заглушку.

3. Удалите выбитую заглушку из рабочей камеры измельчителя.



Если необходимо подсоединить слив посудомоечной машины, используйте приёмный патрубок на сливной трубе измельчителя.

В патрубке на сливной трубе также установлена заводская заглушка, которую необходимо выбить с помощью большой отвёртки и молотка.

ПРИМЕЧАНИЕ

Большой патрубок с резьбовой пробкой на сливной трубе измельчителя также можно использовать для подсоединения посудомоечной машины.

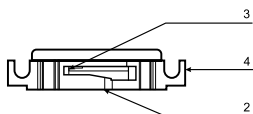
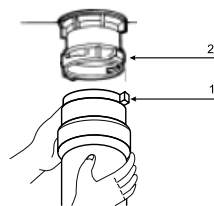
УСТАНОВКА ИЗМЕЛЬЧИТЕЛЯ НА МОНТАЖНЫЙ ФЛАНЕЦ

ВНИМАНИЕ!

- Измельчитель имеет значительный вес, поэтому для установки следует использовать небольшую подставку или выполнять работу вдвоём.
- Перед установкой измельчителя на монтажный фланец удалите посторонние предметы из его рабочей камеры.

HWD-400D01

1. Поместите измельчитель на подставку под монтажным фланцем.
2. Поверните измельчитель вокруг своей оси так, чтобы в дальнейшем было удобно подсоединять сливную трубу и, в то же время, обеспечить легкий доступ к кнопке выключателя безопасности, расположенной на дне (в некоторых моделях на боковой стенке) корпуса измельчителя.

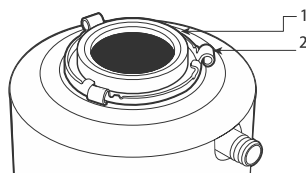


3. Поднимите измельчитель и надвиньте его горловину на монтажный фланец вверх до упора. Следите за тем, чтобы уплотнительное кольцо не соскочило с монтажного фланца, и горловина измельчителя надвигалась на трубу монтажного фланца без прекосов. При необходимости смажьте уплотнительное кольцо мыльным раствором.

4. Поверните фланец-байонет на монтажном фланце так, чтобы зацепы (1) корпуса измельчителя вошли в открытые пазы фланца-байонета (2) и начали скользить по ним в сторону ограничителей (3).

5. Вставьте в проушину (4) фланца-байонета отвертку или ухватите проушину клещами, после чего поверните фланец до упора зацепов в ограничители (3). Убедитесь в том, что все зацепы корпуса вошли до ограничителей.

HWD-600D01, HWD-600D02, HWD-800D01

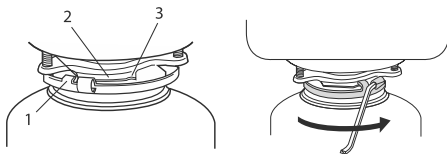


1. Установите на горловину измельчителя сначала фланец-байонет (2) зацепами вверх, а затем уплотнительное кольцо (1).

2. Поместите измельчитель на подставку под монтажным фланцем.

3. Поверните измельчитель вокруг своей оси так, чтобы в дальнейшем было удобно подсоединять сливную трубу и, в то же время, обеспечить легкий доступ к кнопке выключателя безопасности, расположенной на дне (боковой стенке в некоторых моделях) корпуса измельчителя.

4. Поднимите измельчитель и надвиньте его горловину на монтажный фланец вверх до упора. Следите за тем, чтобы уплотнительное кольцо не соскочило с горловины и надвигалось на трубу монтажного фланца без перекосов. При необходимости смажьте уплотнительное кольцо мыльным раствором.



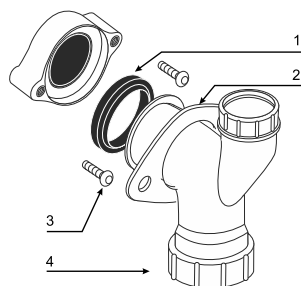
5. Поверните фланец-байонет на измельчителе так, чтобы его зацепы (1) вошли между направляющими (2) упорного фланца-байонета и начали скользить по ним в сторону ограничителей (3).

6. Вставьте в проушину фланца-байонета отвертку или ухватите проушину клещами, после чего поверните фланец до упора зацепов в ограничители. Убедитесь в том, что все зацепы дошли до ограничителей.

ПОДСОЕДИНЕНИЕ СЛИВНОЙ ТРУБЫ ИЗМЕЛЬЧИТЕЛЯ К КАНАЛИЗАЦИИ

ВНИМАНИЕ!

- После установки и во время эксплуатации измельчителя регулярно проверяйте все соединения на утечки воды.
- Утечки воды могут повлечь за собой ущерб имуществу, и производитель не несёт ответственности за ущерб в результате утечек.



1. Наденьте фланец (2), а затем уплотнительное кольцо (1) на сливную трубу.

2. Плотно вставьте сливную трубу в выпускное отверстие измельчителя. Проверьте, чтобы уплотнительное кольцо встало на место без перекосов.

3. Вставьте винты (3) в отверстия фланца (2) и вверните их в резьбовые отверстия корпуса измельчителя.

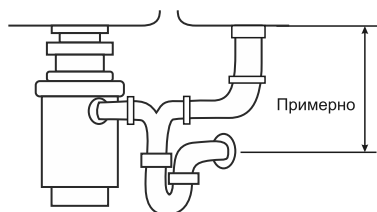
4. Последовательно затягивайте винты, чтобы фланец прижимал уплотнительное кольцо без перекосов.

5. Подсоедините сливную трубу измельчителя к сифону. Варианты подсоединения приведены на рисунке.

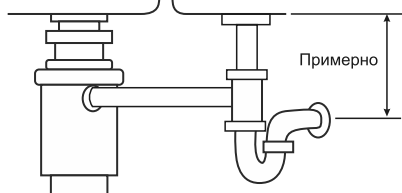
На одну мойку



На мойку с двумя чашами со средним выпуском



На мойку с двумя чашами с концевым выпуском



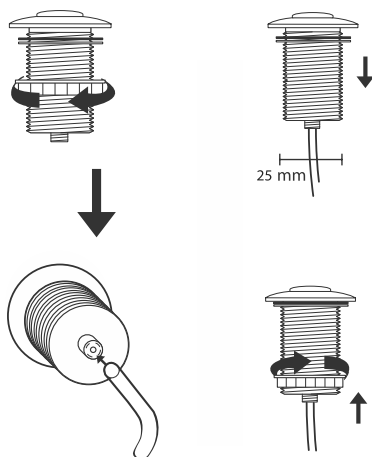
6. Закройте приёмное отверстие слива мойки сеткой-пробкой (в некоторых моделях защитной диафрагмой и пробкой-толкателем) и заполните мойку водой на три четверти.

7. Поднимите сетку пробку (извлеките пробку-толкатель) и во время слива воды из мойки проверьте все соединения на отсутствие протечек.

УСТАНОВКА ПНЕВМАТИЧЕСКОЙ КНОПКИ

Для защиты от поражения электрическим током в условиях повышенной влажности измельчитель

укомплектован пневматической кнопкой. Кнопка подключается к электрическому выключателю с помощью воздушной трубки.



ВНИМАНИЕ!

- Не используйте гаечный ключ для затяжки монтажной и зажимной гаек.
- В комплекте деталей измельчителя одна из зажимных гаек может быть накручена на штуцер пневмокнопки.

1. Просверлите отверстие диаметром 25 мм в подходящем месте столешницы или верхней панели мойки. Некоторые мойки могут иметь подготовленное отверстие, для открытия которого необходимо извлечь заглушку.

2. Вставьте концы воздушной трубки в зажимные гайки штуцеров и продвиньте трубку внутри гаек на один сантиметр. Если одна из гаек накручена на штуцер пневмокнопки, то её необходимо открутить.

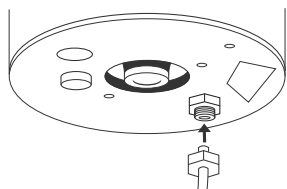
3. Открутите и снимите монтажную гайку с корпуса пневмокнопки,

удерживая резиновую прокладку на месте.

4. Наденьте воздушную трубку с зажимной гайкой на штуцер пневмокнопки, сдвиньте гайку по трубке и затяните её на штуцере от руки до упора.

5. Вставьте другой конец воздушной трубки, а затем корпус пневмокнопки в подготовленное отверстие.

6. С нижней стороны столешницы (или мойки) наденьте на трубку и продвиньте до пневмокнопки снятую ранее монтажную гайку, после чего затяните её на корпусе от руки до упора. Убедитесь, что пневмокнопка плотно сидит в установочном отверстии.

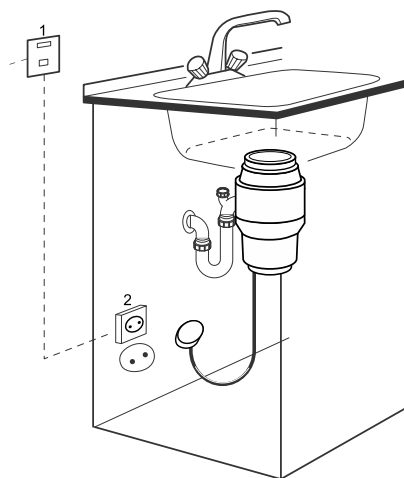


7. Наденьте второй конец воздушной трубки с зажимной гайкой на штуцер электрического выключателя, установленного на дне (в некоторых моделях на боковой стенке) корпуса измельчителя.

8. Продвиньте зажимную гайку по воздушной трубке до штуцера электрического выключателя и затяните её от руки до упора.

9. Проверьте работу пневмокнопки без подключения измельчителя к электрической сети. После энергичного нажатия кнопки на полный ход должен быть слышен щелчок в корпусе измельчителя.

ПОДКЛЮЧЕНИЕ ИЗМЕЛЬЧИТЕЛЯ К ЭЛЕКТРИЧЕСКОЙ СЕТИ



ВНИМАНИЕ!

- Измельчитель пищевых отходов рассчитан на работу только от бытовой электросети. Использование другого напряжения или частоты может вывести измельчитель из строя.
- Если устройство укомплектовано трёхконтактной электрической вилкой с заземлением, для подключения необходимо использовать только трёхконтактную розетку с заземлением.
- Не допускается внесение изменений в конструкцию электрической вилки, поставляемой с устройством.
- Ошибка заземления оборудования может привести к поражению электрическим током.
- Все электрические соединения должны соответствовать электротехническим правилам и нормам.

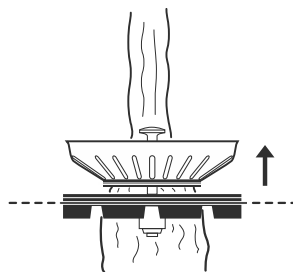
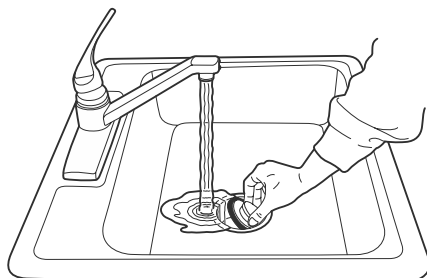
- Не подключайте провод заземления к трубе подачи газа.
- В случае повреждения электрического кабеля его замену необходимо произвести в сервисном центре.
- Для предотвращения поражения электрическим током отключайте устройство от электрической сети перед установкой или обслуживанием.
- Если Вы недостаточно квалифицированы, вызовите электрика для подключения устройства к электрической сети.

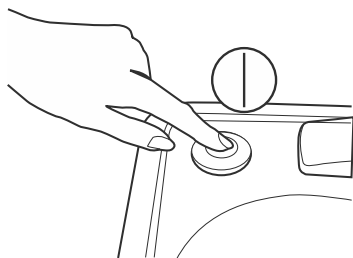
ИСПОЛЬЗОВАНИЕ ИЗМЕЛЬЧИТЕЛЯ

ВНИМАНИЕ!

- Не используйте измельчитель без установленных сетки-пробки или защитной диафрагмы. Это позволит снизить риск травмы частицами пищевых отходов, которые может выбрасывать измельчитель во время работы.
- Замените сетку-пробку или защитную диафрагму, если они изношены и не защищают от брызг и частиц пищевых отходов.
- Не используйте горячую воду во время измельчения. Допускается течение горячей воды через измельчитель между сеансами работы.
- Не отключайте воду до полного измельчения отходов. Во время работы измельчителя должен быть слышен шум работающего двигателя и текущей воды.

- Не измельчайте большие объемы яичной скорлупы, волокнистых материалов (кукурузных початков, артишоков и т. д.) во избежание засора канализации.
- Никогда не выливайте масло или жир в измельчитель, это ведёт к загрязнению рабочей камеры и засору канализации.
- Не заполняйте рабочую камеру измельчителя сразу большим количеством отходов, загружайте отходы в измельчитель порциями.
- Если измельчитель не используется, вставьте пробку-толкатель в отверстие выпуска мойки (для некоторых моделей). Это позволит предотвратить попадание посторонних предметов в рабочую камеру измельчителя.





1. Извлеките сетку-пробку (или пробку-толкатель в некоторых моделях) из приёмного отверстия выпуска мойки.

2. Пустите холодную воду и установите расход воды не менее 6 л/мин.

3. Загрузите рабочую камеру измельчителя пищевыми отходами. Если в приёмном отверстии установлена защитная диафрагма, используйте пробку-толкатель.

4. Поставьте сетку-пробку (используется в некоторых моделях) на место, установите её в верхнее положение и убедитесь, что вода свободно течёт в рабочую камеру измельчителя.

5. Включите измельчитель пневмокнопкой.

6. После завершения измельчения выключите устройство и оставьте воду течь ещё 15 с, чтобы промыть сливную трубу.

ОЧИСТКА РАБОЧЕЙ КАМЕРЫ ИЗМЕЛЬЧИТЕЛЯ

Если из рабочей камеры измельчителя стал появляться неприятный запах, необходимо выполнить очистку измельчителя от накопившихся остатков пищевых отходов.

ВНИМАНИЕ!

Будьте осторожны при очистке барабанной тёрки измельчителя, острые режущие кромки рабочего колеса и боковых стенок тёрки могут травмировать руки.

1. Выключите измельчитель пневмокнопкой и отключите его от электрической розетки. Нажмите несколько раз на пневмокнопку и убедитесь, что измельчитель случайно не включится во время очистки.

2. Произведите очистку рабочей камеры измельчителя с помощью поролоновой губки и мыла для посуды.

3. Закройте пробкой сливное отверстие мойки и наполните её горячей водой наполовину. Добавьте в воду 3 столовых ложки пищевой соды и дождитесь, пока она не растворится.

4. Подключите измельчитель к электрической розетке.

5. Включите измельчитель пневмокнопкой и откройте пробку в мойке для промывки рабочей камеры раствором соды.

ОЧИСТКА СЛИВНОЙ ТРУБЫ

При работе измельчителя пищевые отходы смываются в канализацию потоком воды из крана мойки. Если поток воды слабый, пищевые отходы могут скапливаться в горизонтальных участках сливной трубы.

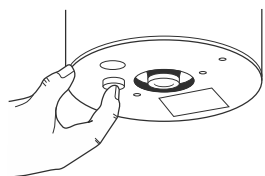
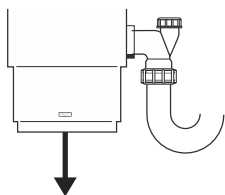
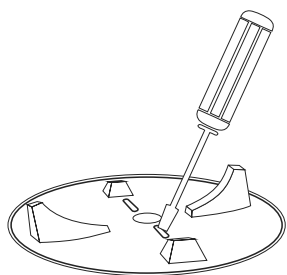
В случае засора снимите сифон и с помощью сантехнического троса выполните очистку сливной трубы до стояка канализации.

УСТРАНЕНИЕ НЕПОЛАДОК ИЗМЕЛЬЧИТЕЛЯ

ВНИМАНИЕ!

• Если пневмокнопка не работает, необходимо отключить измельчитель от электрической розетки и проверить подключение воздушной трубки к пневмокнопке и электрическому выключателю на дне (боковой стенке в некоторых моделях) корпуса измельчителя.

• Перед нажатием кнопки выключателя безопасности, прочисткой засора или удалением посторонних предметов из рабочей камеры убедитесь, что измельчитель отключён от электрической розетки.



Если во время работы измельчителя двигатель остановился, возможной причиной может быть блокировка рабочего колеса барабанной тёрки твёрдыми остатками пищевых отходов. В этом случае необходимо вручную разблокировать рабочее колесо.

1. Выключите измельчитель пневмокнопкой и отключите его от электрической розетки. Нажмите несколько раз на пневмокнопку и убедитесь, что измельчитель случайно не включится во время очистки.

2. Вставьте плоскую отвёртку в прорезь на рабочем колесе барабанной тёрки внутри рабочей камеры измельчителя. Движениями вправо-влево разблокируйте рабочее колесо, после чего извлеките отвёртку.

3. Достаньте посторонние предметы с помощью длинного пинцета или щипцов.

4. Дайте электродвигателю измельчителя остыть в течение 3-5 минут, после чего нажмите кнопку выключателя безопасности, расположенную на дне (боковой стенке в некоторых моделях) корпуса измельчителя.

5. Если измельчитель не включается пневмокнопкой, проверьте автоматические выключатели в электрическом щитке.

ТЕХНИЧЕСКИЕ ХАРАКТЕРИСТИКИ

Модель	HWD-400D01	HWD-600D01	HWD-600D02	HWD-800D01
Мощность	0,5 л. с.	0,75 л. с.	0,75 л. с.	1 л. с.
Напряжение питания	220-240 В 50-60 Гц	220-240 В 50-60 Гц	220-240 В 50-60 Гц	220-240 В 50-60 Гц
Частота вращения	3200 об/мин	3600 об/мин	3600 об/мин	4000 об/мин
Объем рабочей камеры	1.0 л	1.4 л	1.5 л	1.5 л
Производительность	3,2 кг/мин	4,5 кг/мин	4,5 кг/мин	5,2 кг/мин
Материал внутренней камеры	нержавеющая сталь	нержавеющая сталь	нержавеющая сталь	нержавеющая сталь
Пневмовыключатель	есть	есть	есть	есть
Пробка толкателя	есть	есть	есть	есть
Резиновая диафрагма	есть	есть	есть	есть
Вес измельчителя	5,7 кг	6,9 кг	7,5 кг	7,5 кг

ВАЖНЫЕ УКАЗАНИЯ ПО ТЕХНИКЕ БЕЗОПАСНОСТИ

ПРЕДУПРЕЖДЕНИЕ: при использовании электроприбора всегда следует соблюдать основные правила техники безопасности, чтобы снизить риск пожара, поражения электрическим током или травмы.

Во время использования измельчителя пищевых отходов необходимо соблюдать следующие правила безопасности:

- Дети должны находиться под присмотром взрослых и не играть с измельчителем.
- Не храните рядом с измельчителем воспламеняющиеся предметы, такие как ветошь, бумага или аэрозольные баллончики.
- Не храните и не используйте бензин или другие легковоспламеняющиеся вещества поблизости с измельчителем.
- Загружайте пищевые отходы в рабочую камеру только когда измельчитель выключен.
- Не допускайте попадания в измельчитель следующих предметов:
 - щелочные средства для очистки труб (или аналогичные химические средства),

- крупные (полые) кости,
- раковины моллюсков,
- стекло, фарфор,
- пластик,
- металлические предметы (крышки от бутылок, консервные банок),
- горячий жир (или другие горячие жидкости).
- Отключайте измельчитель от электрической розетки перед прочисткой засора или извлечении пищевых отходов, застрявших в рабочей камере измельчителя.
- Следуйте указаниям в разделе «Устранение неполадок измельчителя» для самостоятельного удаления застрявших отходов.
- Используйте длинный пинцет или щипцы для удаления из рабочей камеры измельчителя застрявших предметов.
- Ознакомьтесь с указаниями в разделе «Подключение измельчителя к электрической сети».
- Вызовите квалифицированного электрика, если Вы не знакомы с правилами подключения бытовых электрических приборов.

ОБСЛУЖИВАНИЕ ИЗМЕЛЬЧИТЕЛЯ

Для обслуживания или ремонта измельчителя следует обратиться в авторизованный сервисный центр. Гарантия аннулируется в следующих случаях:

- если изделие использовалось с нарушениями требований данной инструкции,
- при наличии следов вскрытия корпуса изделия для самостоятельного ремонта.

Более подробно условия действия гарантии изложены в гарантийном талоне, который прилагается к измельчителю.



ИЗМЕЛЬЧИТЕЛЬ ПИЩЕВЫХ ОТХОДОВ
HWD-400D01, HWD-600D01,
HWD-600D02, HWD-800D01

Продукция прошла все установленные в технических регламентах Таможенного союза и Евразийского экономического союза процедуры оценки.

Подробную информацию по сертификации наших приборов, технических регламентах, данные о номере сертификата и сроке его действия, органе, выдавшем сертификат, Вы можете получить на официальном сайте организации <http://harper.ru/certification>, или уточнить по номеру поддержки клиентов, тел.: 8-800-600-7107

Дата производства указана на упаковке

Срок службы – 36 месяцев

Гарантийный срок – 12 месяцев

Гарантийное обслуживание осуществляется согласно прилагаемому гарантийному талону. Гарантийный талон и руководство по эксплуатации являются неотъемлемыми частями данного изделия.

Дополнительную информацию о товаре и данные авторизованного сервисного центра вы можете узнать на сайте www.harper.ru или по телефону технической поддержки 8-800-600-7107

Изготовитель: Harper International Trading Limited 15F, Radio City, 505 Hennessy Road, Causeway Bay, Гонконг

Сделано в КНР

Импортер/организация уполномоченная на принятие претензий: ООО «Прогресс-Плюс» 119607, г.Москва, ул.Удальцова, д.50, корп.1, тел: +74951330210, info@harper.ru



HARPER өнімін таңдағаныңыз үшін рахмет. Оларды қолданар алдында пайдалану нұсқаулығын оқып шығыңыз және құрылғыға қызмет көрсету туралы сұрақтарыңыз болса сақтап қойыңыз.

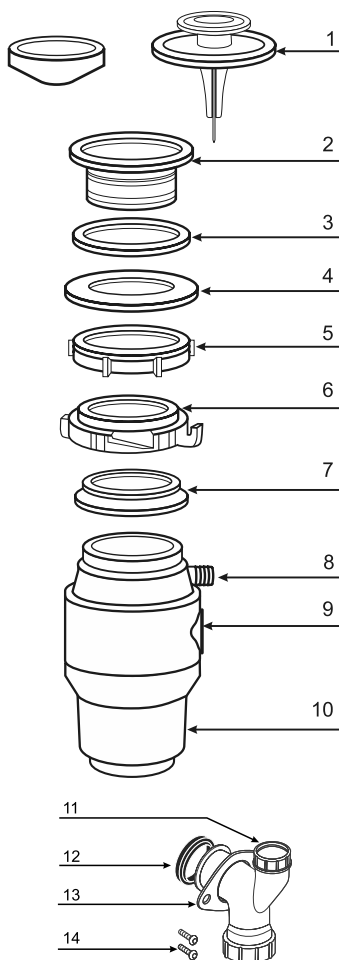
ҚҰРЫЛҒЫНЫҢ МАҚСАТЫ

Электрлік тамақ қалдықтарын ұнтақтағыш тамақ қалдықтарын канализацияға төгу арқылы шығаруға арналған. Ол раковина мен көріздің арасына орнатылады, балама ретінде және қоқыс жәшігіне қосымша, дренажды құбырлар / канализация арқылы жәндіктердің өтуін, сондай-ақ жағымсыз иістердің пайда болуын болдырмайды.

ЖАБДЫҚ

HWD-400D01

1. Қауіпсіздік диафрагмасы және итергіш штепсель
2. Монтаждау фланец-розетка
3. Жұмсақ төсем
4. Қатты тығыздағыш
5. Монтаждау фланецті гайка
6. Сұңқыр фланец
7. Тамақтың тығыздағыш сақинасы
8. Раковинаның толып кетуі
9. Ұсақтауыштың шығысы
10. Ұсақтағыш
11. Кір жуғыш / ыдыс жуғыш машинаның су төгетін саңылауы
12. Су төгетін құбырды төсеу
13. Су төгетін құбырдың фланеці
14. Фланецті бекіту бұрандалары



HWD-600D01, HWD-600D02, HWD-800D01

1. Торлы тығын (кейбір үлгілер резеңке диафрагмамен жабдықталған)
2. Монтаждау фланец-розетка
3. Жұмсақ төсем
4. Қатты тығыздағыш
5. Қысқыш үшбұрышты фланец
6. Фланецті тіреуішті тоқтатыңыз
7. Тартқыш бұрандалар (3 дана)

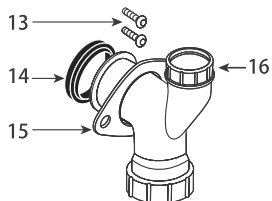
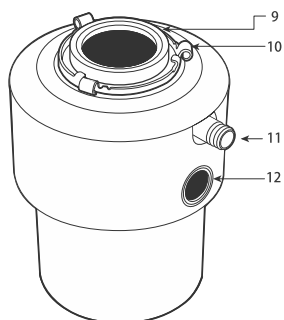
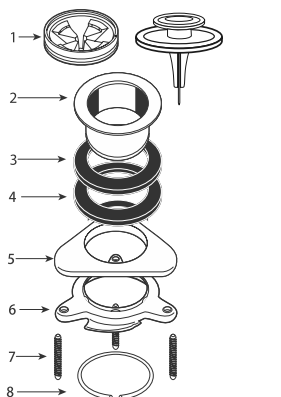
8. Тарту фланецінің ұстағыш сақинасы

9. Тамақтың тығыздағыш сақинасы

10. Ұсақтауыштың штык фланеці

11. Раковинаның толып кетуі

12. Ұсақтауыштың шығысы



13. Фланеціті бекіту бұрандалары

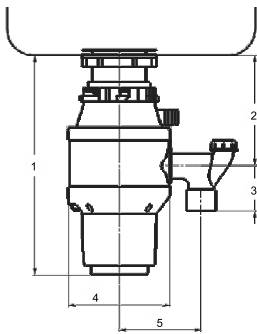
14. Су төгетін құбырды төсеу

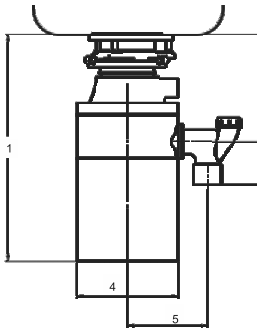
15. Су төгетін құбырдың фланеці

16. Кір жуғыш / ыдыс жуғыш машинаның су төгетін саңылау

ҰСАҚТАҒЫШТЫ ОРНАТУ СХЕМАСЫ

Бос орын жеткілікті екенін тексеріңіз.

Үлгі	HWD-400D01
Орна-ту диаграммасы	
1	344 mm
2	180 mm
3	69 mm
4	155 mm
5	127 mm

Үлгі	HWD-600D01
Орна-ту диаграммасы	
1	362 mm
2	170 mm
3	69 mm
4	160 mm
5	127 mm

Үлгі	HWD-600D02, HWD-800D01
Орна- ту диаг- раммасы	
1	340 mm
2	149 mm
3	69 mm
4	210 mm
5	127 mm

және раковинаның розеткасын саңылау арқылы жоғары итеріп, шығарып алыңыз.



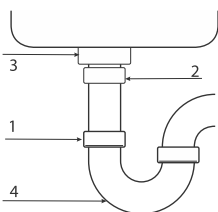
4. Қоқыстарды, кірді және тығыздағыш қалдықтарын кетіру үшін раковинаның түбін канализацияның айналасында тазалаңыз.

ЕСКЕРТУ. Кейбір раковиналарда тегістеуіш орнату фланеціне сәйкес келетін су төгетін тесікті үлкейту қажет болуы мүмкін. Су төгетін ұзартқыш жабдығы бөлек сатылады.

АС ҮЙ РАКОВИНАСЫНЫҢ РОЗЕТКАСЫН БӨЛШЕКТЕУ

НАЗАР АУДАРЫҢЫЗ!

Ұсақтағышты орнату кезінде қорғаныс көзілдіріктер мен қолғаптарды пайдаланыңыз.



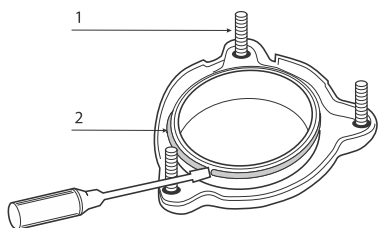
1. Сифонның (4) гайкасын (1) құбыр кілтімен босатыңыз.
2. Қабылдау құбырының гайкасын (2) бұрап алыңыз және құбырды алыңыз.
3. Раковинаның розеткасын бекітетін гайканы (3) бұрап босатыңыз

ҰСАҚТАҒЫШТЫ ОРНАТУ ФЛАНЕЦ-ROUTLET БӨЛШЕКТЕУ

HWD-400D01

1. Бекіту фланецін төңкеріп, жұлдыру сақинасына қол жеткізу үшін штык фланеціті сырғытыңыз.
2. Бекіту фланецінен тығыздағыш сақинаны алыңыз. Содан кейін басқа бөліктерді орнату фланецінен алуға болады.

HD-600D 01, HD-600D02, HD800D01



1. Бекіту фланецін төңкеріп, бекіткіш сақинаға (2) қол жеткізу үшін үш бекіткіш штык фланецті бұранданы (1) бұрап алыңыз.

2. Бекіту фланецінен бекіту сақинасын бұрауышты пайдаланып алыңыз. Содан кейін басқа бөліктерді орнату фланецінен алуға болады.

МОНТАЖДАУ ФЛАНЕЦІН РАКОВИНАҒА ОРНАТУ

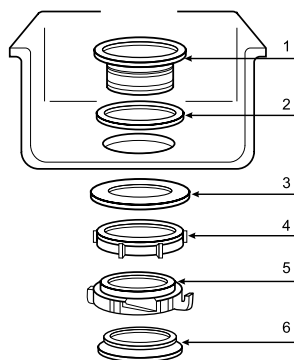
НАЗАР АУДАРЫҢЫЗ!

- Су төгетін тесікке жақын раковинаның түбінің қалыңдығы 18 мм-ден аспауы керек.
- Қосылымдарды (қажет болса) тығыздау үшін тек сантехникалық тығыздағышты пайдаланыңыз.
- Жіпті тығыздағыштарды қолданбаңыз, олар өнімді зақымдауы мүмкін.

HWD-400D01

1. Жұмсақ тығыздағышты (2) розеткаға орнату фланеціне (1) сырғытыңыз және оны раковинаның тесігіне орнатыңыз.

2. Раковинаның астыңғы жағынан қатты тығыздағышты (3) және монтаж фланецінің гайкасын (4) көрсеткілерді орнату фланеціне жоғары қаратып сырғытыңыз. Гайканы қолмен ол тоқтағанша тартыңыз.



3. Раковинаның жоғарғы жағында бекіту фланеці (1) мен раковинаның түбі арасындағы жұқа тығыздағыштың (2) орнын тексеріңіз. Тығыз қосылу үшін тығыздағыш раковинаның түбіне мықтап фланецті болуы керек.

4. Раковинаның астыңғы жағында саңылаулары бар штык фланецті (5) киіңіз және оны жоғары сырғытыңыз.

5. Штык фланецті жоғары қалпында ұстап тұрып, жұлдыру сақинасын (6) бекіту фланецінің сақиналы ойығына орнатыңыз.

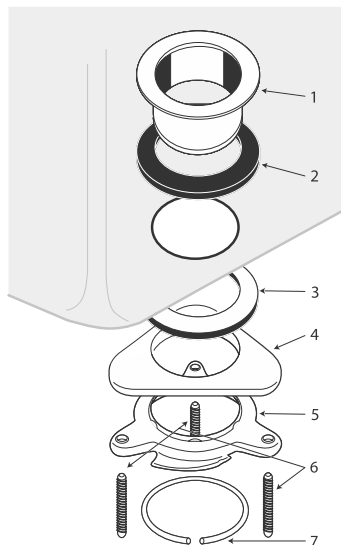
HWD-600D01, HWD-600D02, HWD-800D01

1. Жұмсақ тығыздағышты (2) розеткаға орнату фланеціне (1) сырғытыңыз және оны раковинаның тесігіне орнатыңыз.

2. Раковинаның астыңғы жағынан қатты тығыздағышты (3) орнату фланеціне, үшбұрышты қысымды фланецті (4) жалпақ жағын жоғары қаратып, тіреуіш фланецті (5) бағыттағыштармен төмен қарай сырғытыңыз.

3. Бекіту фланеціне (1) қойылған бөлшектерді раковинаның түбіне

жақын ұстап тұрып, бекіту сақинасын (7) бекіту фланецінің сақиналы ойығына орнатыңыз.



4. Қысқыш үшбұрышты фланец пен тығыздағыштар раковинаның түбіне тигенше үш бұранданы (6) кезекпен бұрап бекітіңіз.

5. Раковинаның үстіңгі жағында жұмсақ тығыздағыштың (2) бекіту фланеці (1) мен раковинаның түбі арасындағы орнын тексеріңіз. Тығыз қосылу үшін тығыздағыш раковинаның түбіне мықтап фланецті болуы керек.

ТАУ ЖӘНЕ ЫДЫС ЖУҒЫШТЫ ҚОСУ

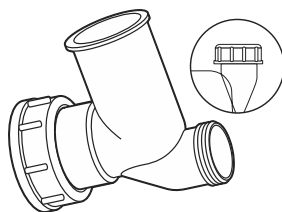
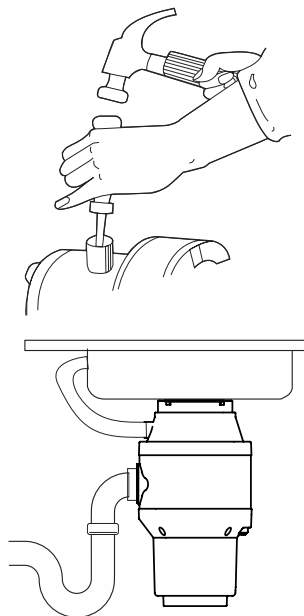
Кейбір ас үй раковиналары суды ағызуға және толып кетуден қорғауға арналған толып кетумен жабдықталған.

НАЗАР АУДАРЫҢЫЗ!

• Раковинаның толып кететін құбырын қосу үшін

ұнтақтағыш корпусындағы жоғарғы кірісті пайдаланыңыз.

• Толып кетуді қоспас бұрын зауыттық құбырдың тығынын алып тастау керек.



1. Ұсақтағышты бүйіріне қойып, үлкен бұрауышты емізікке тоқтағанша салыңыз.

2. Штепсельді қағып алу үшін бұрауыштың тұтқасына бірнеше балға соққысын қолданыңыз.

3. Тегістеу камерасынан сөніп қалған тығынды алыңыз.

Ыдыс жуғыш машинаның су төгетін түтігін қосу қажет болса, ұнтақта-

ғыштың су төгетін құбырындағы кірісті пайдаланыңыз.

Сондай-ақ су төгетін құбырдағы салалық құбырда зауыттық штепсель бар, оны үлкен бұрағышпен және балғамен қағып алу керек.

ЕСКЕРТУ. Ұсақтауыштың су төгетін құбырындағы үлкен бұрандалы қосылымды ыдыс жуғышты қосу үшін де пайдалануға болады.

ҰСАҚТАҒЫШТЫ ОРНАТУ ФЛАНЕЦІНЕ ОРНАТУ

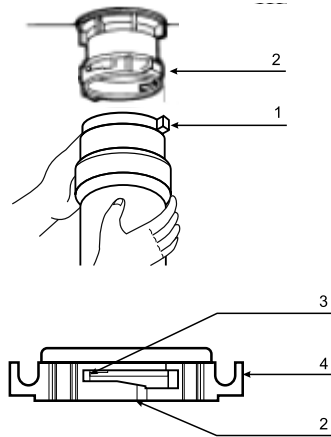
НАЗАР АУДАРЫҢЫЗ!

- Ұсақтағыш ауыр, сондықтан орнату үшін шағын стендті пайдаланыңыз немесе екі адаммен жұмыс істеңіз.
- Ұсақтағышты орнату фланеціне орнатпас бұрын оның жұмыс камерасынан бөгде заттарды алып тастаңыз.

HWD-400D01

1. Ұсақтағышты орнату фланецінің астындағы тірекке қойыңыз.
2. Ұсақтағышты кейінірек су төгетін құбырды қосуға ыңғайлы болатындай және сонымен бірге ұсақтағыштың төменгі жағында (кейбір үлгілерде бүйір қабырғасында) орналасқан қауіпсіздік қосқышына оңай қол жеткізуді қамтамасыз ету үшін өз осінің айналасында бұраңыз. дене.
3. Ұсақтағышты көтеріп, оның мойынын монтаждау фланеціне аяғына дейін салыңыз. О-сақинаның

бекіту фланецінен сырғып кетпеуін және ұсақтағыш мойыны монтаж фланецінің құбырына иілуісіз сәйкес келетінін тексеріңіз. Қажет болса, сақинаны сабынды сумен майлаңыз.

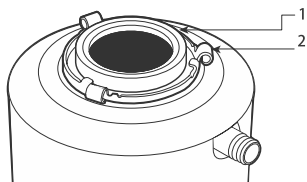


4. Бекіту фланеціндегі штык фланеціті ұсақтағыш корпусының проекциялары (1) штык фланецітің (2) ашық ойықтарына кіріп, олардың бойымен тоқтағыштарға (3) қарай жылжи бастайтындай етіп бұраңыз.
5. Бұрауышты штангалы фланецітің құлақшасына (4) салыңыз немесе саңылауды тістеуікпен ұстаңыз, содан кейін фланеціті корпусының проекцияларына қарсы тоқтағанша бұраңыз (3). Корпустағы барлық құлақшалардың тіректерге сәйкес келетініне көз жеткізіңіз.

HWD-600D01, HWD-600D02, HWD-800D01

1. Штык фланеціті (2), ілгектерін ұсақтағыштың мойнына жоғары қаратып, содан кейін тығыздағыш сақинаны (1) орнатыңыз.

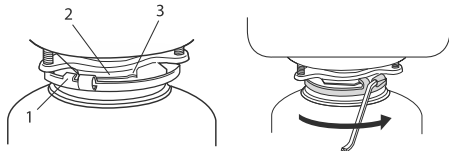
ТАРТҚЫШТЫҢ СУДЫРУ ТҮБІРІН КАНАЛИЯҒА ҚОСУ



2. Ұсақтағышты орнату фланецінің астындағы тірекке қойыңыз.

3. Ұсақтағышты өз осінің айналасында бұраңыз, сонда ол кейінірек су төгетін құбырды қосуға ыңғайлы болады және сонымен бірге ұсақтағыш корпусының төменгі жағында (кейбір үлгілерде бүйір қабырғасында) орналасқан қауіпсіздік қосқышының түймесіне оңай қол жеткізуді қамтамасыз етіңіз.

4. Ұсақтағышты көтеріп, оның мойынын монтаждау фланеціне аяғына дейін салыңыз. О-сақинаның мойынан түспеуін және монтаж фланецінің құбырына бүгілмей кірмейтінін тексеріңіз. Қажет болса, сақинаны сабынды сумен майлаңыз.



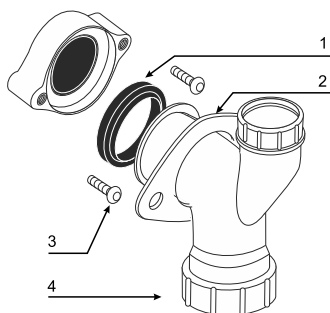
5. Штык фланецті ұсақтағышқа бұраңыз, сонда оның ілмектері (1) тартқыш штык фланецтің бағыттауыштарының (2) арасына кіріп, олардың бойымен тоқтауларға (3) қарай жылжи бастайды.

6. Бұрауышты штангалы фланецтің саңылауына салыңыз немесе саңылауды тістеуікпен ұстаңыз, содан кейін фланецті ілгектер тоқтағанша бұраңыз. Барлық ілмектердің рельс тіректеріне жететініне көз жеткізіңіз.

НАЗАР АУДАРЫҢЫЗ!

• Орнатқаннан кейін және ұсақтағышты пайдалану кезінде барлық қосылымдарды судың ағып кетуіне үнемі тексеріп отырыңыз.

• Судың ағуы мүліктің зақымдалуына әкелуі мүмкін және өндіруші ағып кетуден туындаған зақым үшін жауап бермейді.



1. Фланецті (2), содан кейін тығыздағыш сақинаны (1) су төгетін құбырға орнатыңыз.

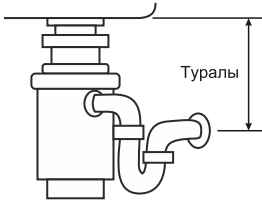
2. Су төгетін түтікшені қоқыс қондырғысының розеткасына мықтап енгізіңіз. О-сақинаның бұрмаланбай орнына сай келетінін тексеріңіз.

3. Бұрандаларды (3) фланецтің (2) саңылауларына салыңыз және оларды диспозитор корпусының бұрандалы тесіктеріне бұраңыз.

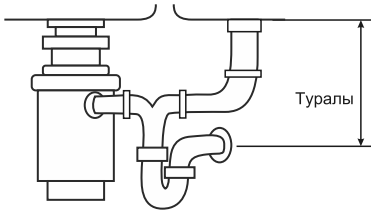
4. Бұрандаларды фланец тығыздағыш сақинаны бұрмалаусыз басып тұратындай ретімен бұрап бекітіңіз.

5. Ұсақтауыштың су төгетін құбырын сифонға қосыңыз. Қосылым опциялары суретте көрсетілген.

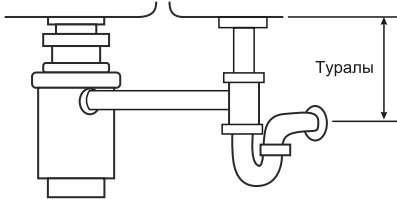
Бір жууға арналған



Орташа шығысы бар екі тостаған бар раковинаға арналған



Ақырғы розеткасы бар екі тостаған бар раковинаға арналған



6. Раковинаның су төгетін түтігін торлы тығынмен жабыңыз (кейбір үлгілерде қорғаныс диафрагмасы және итергіш тығыны бар) және раковинаның төрттен үш бөлігін сумен толтырыңыз.

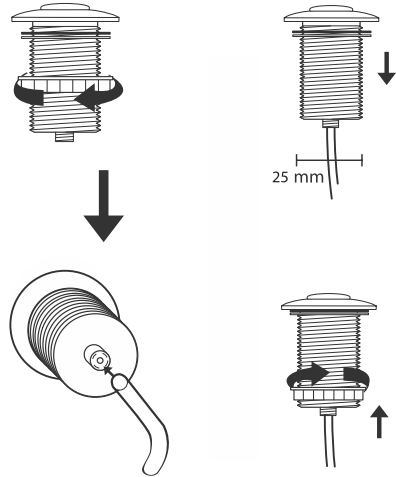
7. Торлы тығынды көтеріңіз (итергіш тығынды шешіңіз) және раковинадан суды ағызып жатқанда, барлық қосылымдардың ағып кетуін тексеріңіз.

ПНЕВМАТИКАЛЫҚ ТҮЙМЕҢІ ОРНАТУ

Жоғары ылғалдылық жағдайында электр тогының соғуынан қорғау үшін ұсақтағыш пневматикалық түймемен жабдықталған. Түйме ауа түтігінің көмегімен электр қосқышына қосылады.

НАЗАР АУДАРЫҢЫЗ!

- Бекіту және қысқыш гайкаларды қатайту үшін кілтті пайдаланбаңыз.
- Ұсақтағыш жинағында қысқыш гайкалардың бірін пневматикалық түйме фитингіне бұрап қоюға болады.



1. Жұмыс үстелінде немесе раковинаның жоғарғы жағында қолайлы жерде 25 мм тесік бұрғылаңыз. Кейбір раковиналарда дайындалған тесік болуы мүмкін, оны ашу үшін ашаны алып тастау керек.

2. Ауа түтігінің ұштарын фитингтердің қысқыш гайкаларына салып, түтікті гайкалардың ішіне бір сан-

тиметр сырғытыңыз. Егер гайкалардың бірі пневматикалық түйменің фитингіне бұралған болса, оны бұрап алу керек.

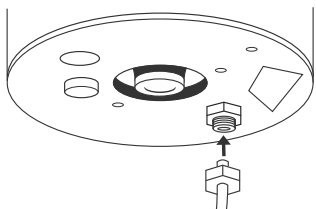
3. Резеңке тығыздағышты орнында ұстап тұрып, ауа түймесінің корпусынан бекіту гайкасын бұрап алыңыз және алыңыз.

4. Ауа түтігін қысқыш гайкамен ауа түймелерінің фитингіне орнатыңыз, гайканы түтік бойымен сырғытыңыз және фитингке тоқтағанша қолмен бекітіңіз.

5. Ауа түтігінің екінші ұшын, содан кейін ауа түймесінің корпусын дайындалған тесікке салыңыз.

6. Үстелдің (немесе раковинаның) астыңғы жағынан түтікті киіңіз және бұрын алынған монтаждық гайканы пневматикалық түймеге итеріңіз, содан кейін оны тоқтағанша корпусқа қолмен бекітіңіз. Ауа түймесі монтаждау тесігіне тығыз орналасқанына көз жеткізіңіз.

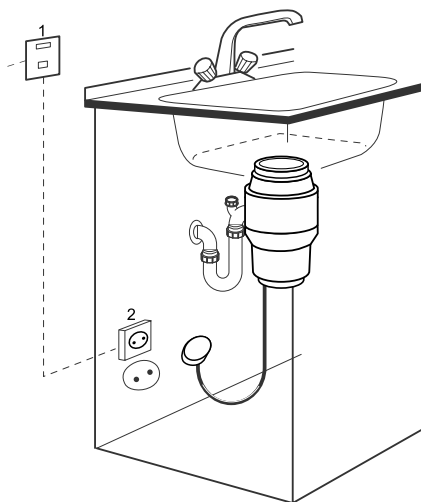
7. Ауа түтігінің екінші ұшын қысқыш гайкамен ұсақтағыш корпусының төменгі жағында (кейбір үлгілерде бүйір қабырғасында) орнатылған электр қосқышының розеткасына сырғытыңыз.



8. Қысқыш гайканы ауа түтігі арқылы электр қосқышының қосылымына дейін сырғытыңыз және оны тоқтағанша қолмен тартыңыз.

9. Ұсақтағышты электр желісіне қоспай-ақ пневматикалық түйменің жұмысын тексеру. Толық инсульт үшін түймені қатты басқаннан кейін, ұсақтағыш корпусында шерту естілуі керек.

ТАҚЫРЫШТЫ ЭЛЕКТР ЖОЛЫНА ҚОСУ



НАЗАР АУДАРЫҢЫЗ!

- Тамақ қалдықтарын жинағыш тек тұрмыстық қуатпен жұмыс істеуге арналған. Басқа кернеуді немесе жиілікті пайдалану ұсақтағышты зақымдауы мүмкін.
- Құрылғы үш тісті жерге тұйықталған қуат ашасымен жабдықталған болса, қосу үшін тек үш ұшты жерге тұйықталған розетканы пайдаланыңыз.
- Құрылғымен бірге жеткізілетін ашаны өзгертуге рұқсат етілмейді.
- Жабдықтың жерге қосылмауы электр тогының соғуына әкелуі мүмкін.

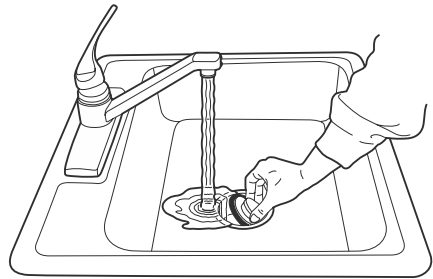
- Барлық электр қосылымдары электрлік кодтарға сәйкес болуы керек.
- Жерге қосу сымын газбен жабдықтау құбырына қоспаңыз.
- Электр кабелі зақымдалған болса, оны қызмет көрсету орталығында ауыстыру керек.
- Электр тогының соғуын болдырмау үшін орнату немесе қызмет көрсету алдында бұл құрылғыны желіден ажыратыңыз.
- Егер біліктілігіңіз болмаса, құрылғыны электр желісіне қосу үшін электрикті шақырыңыз.

ҰСАҚТАҒЫШТЫ ПАЙДАЛАНУ

НАЗАР АУДАРЫҢЫЗ!

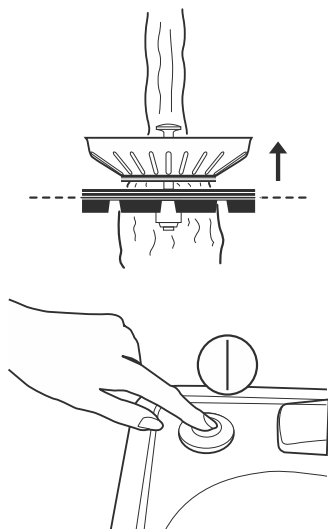
- Ұсақтағышты торлы тығынсыз немесе қорғаныс диафрагмасы орнатылмай пайдаланбаңыз. Бұл жұмыс кезінде ұсақтағышпен лақтырылуы мүмкін тағам қалдықтарының бөлшектерінен жарақат алу қаупін азайтады.
- Торлы тығынды немесе қорғаныс диафрагмасын ауыстырыңыз, егер ол тозған болса және шашыраудан және тамақ қалдықтарынан қорғамаса.
- Ұнтақтау кезінде ыстық суды пайдаланбаңыз. Жұмыс сеанстары арасында ұнтақтағыш арқылы ыстық судың ағуына рұқсат етіледі.
- Қалдық толығымен ұсақталғанша суды өшірмеңіз.

- Ұнтақтағыштың жұмысы кезінде жұмыс істеп тұрған қозғалтқыштың шуы және ағып жатқан су естілуі керек.
- Дренажды бітеп алмау үшін көп мөлшерде жұмыртқа қабығын, талшықты материалдарды (жүгері шоқтары, артишок және т.б.) ұсақтамаңыз.
- Ешқашан ұнтақтағышқа май немесе май құймаңыз, себебі бұл пісіру камерасын ластайды және су төгетін құбырды бітеп тастайды.
- Ұсақтағыштың жұмыс камерасын бірден көп мөлшерде қалдықпен толтырмаңыз, қалдықтарды бөлшектеп ұсақтағышқа салыңыз.
- Ұсақтауыш қолданылмаған кезде, итергіш ашаны раковинаның розеткасына салыңыз (кейбір үлгілерде). Бұл ұсақтағыштың жұмыс камерасына бөгде заттардың түсуіне жол бермейді.



1. Торлы тығынды (немесе кейбір үлгілерде итергіш ашаны) раковинаның розеткасынан алыңыз.
2. Суық суды ағызып, су шығынын кемінде 6 л/мин етіп орнатыңыз.
3. Ұсақтауыштың жұмыс камерасына тамақ қалдықтарын салыңыз.

Кіріс саңылауына қауіпсіздік диафрагмасы орнатылған болса, итергіш штепсельді пайдаланыңыз.



4. Торлы тығынды (кейбір үлгілерде пайдаланылады) орнына қойыңыз, оны жоғарғы қалыпқа қойыңыз және судың ұнтақтағыштың жұмыс камерасына еркін ағып кетуіне көз жеткізіңіз.

5. Пневматикалық түймені пайдаланып ұсақтағышты қосыңыз.

6. Тегістеу аяқталғаннан кейін құрылғыны өшіріп, су төгетін құбырды шаю үшін суды тағы 15 секундқа қалдырыңыз.

ҰСҚАУ КАМЕРАСЫН ТАЗАЛАУ

Егер ұнтақтағыштың жұмыс камерасынан жағымсыз иіс шыға бастаса, ұнтақтағышты жиналған тамақ қалдықтарының қалдықтарынан тазалау қажет.

НАЗАР АУДАРЫҢЫЗ!

Ұсақтауыш барабанын тазалау кезінде абай болыңыз, жұмыс дөңгелегінің өткір кескіш жиектері және үккіштің бүйір қабырғалары қолыңызды жарақаттауы мүмкін.

1. Пневматикалық түймені пайдаланып ұсақтағышты өшіріп, оны электр розеткасынан ажыратыңыз. Пневматикалық түймені бірнеше рет басып, тазалау кезінде ұсақтағыштың кездейсоқ іске қосылмауын қадағалаңыз.

2. Ұнтақтағыш камерасын көбік жөкемен және сабынмен тазалаңыз.

3. Раковинаның су төгетін тығынын жабыңыз және оны жартылай ыстық сумен толтырыңыз. Суға 3 ас қасық сода қосып, ерігенше күтіңіз.

4. Ұсақтағышты электр розеткасына қосыңыз.

5. Пневматикалық түймені пайдаланып ұнтақтағышты қосыңыз және жұмыс камерасын сода ерітіндісімен шаю үшін раковинадағы тығынды ашыңыз.

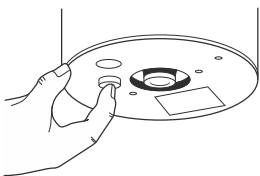
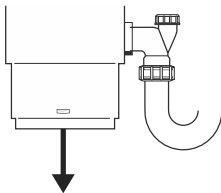
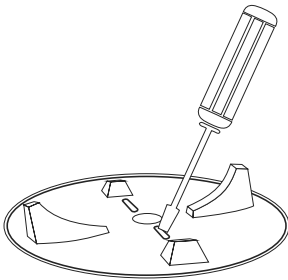
СУ ТӨГЕТІН ҚҰБЫРДЫ ТАЗАЛАУ

Ұнтақтағыштың жұмысы кезінде тамақ қалдықтары раковина кранынан су ағынымен канализацияға жуылады. Су ағыны әлсіз болса, су төгетін құбырдың көлденең бөліктерінде тамақ қалдықтары жиналуы мүмкін. Бітелген жағдайда, сифонды алып тастаңыз және кәріз көтергішіне ағызу құбырын тазалау үшін сантехникалық кабельді пайдаланыңыз.

**ҰСҚАУПЕРДІҢ
АҚАУЛЫҚТАРЫН ЖОЮ**

НАЗАР АУДАРЫҢЫЗ!

- Пневматикалық түйме жұмыс істемесе, ұсақтағышты электр розеткасынан ажыратып, ауа түтігінің ауа түймесі мен ұсақтағыш корпусының астыңғы жағындағы (кейбір үлгілерде бүйір қабырғасы) электр қосқышына қосылуын тексеру қажет.
- Қауіпсіздік қосқышы түймесін баспас бұрын, бітелуді ашу немесе пісіру бөлігіндегі бөгде заттарды алу алдында ұсақтағыштың электр розеткасынан ажыратылғанына көз жеткізіңіз.



Ұсақтауыш жұмыс істеп тұрған кезде қозғалтқыш тоқтаса, ықтимал себебі барабан үккіш дөңгелегінің қатты тағам қалдықтарымен бітелуі болуы мүмкін. Бұл жағдайда дөңгелекті қолмен ашу керек.

1. Пневматикалық түймені пайдаланып ұсақтағышты өшіріп, оны электр розеткасынан ажыратыңыз. Пневматикалық түймені бірнеше рет басып, тазалау кезінде ұсақтағыштың кездейсоқ іске қосылмауын қадағалаңыз.
2. Тегіс басты бұрауышты ұсақтағыш жұмыс камерасының ішіндегі барабан үккіш дөңгелегіндегі ойыққа салыңыз. Оңға-солға қозғалыспен жұмыс дөңгелегі құлпын ашыңыз, содан кейін бұрағышты алыңыз.
3. Бөтен заттарды ұзын пинцетпен немесе қысқышпен алып тастаңыз.
4. Ұсақтауыш моторын 3-5 минут суытыңыз, содан кейін ұсақтағыш корпусының төменгі жағында (кейбір үлгілерде бүйір қабырғасында) орналасқан қауіпсіздік қосқышы түймесін басыңыз.
5. Егер ұсақтағыш пневматикалық түймемен іске қосылмаса, электр панеліндегі автоматты ажыратқыштарды тексеріңіз.

ТЕХНИЧЕСКИЕ ХАРАКТЕРИСТИКИ

Үлгі	HWD-400D01	HWD-600D01	HWD-600D02	HWD-800D01
Қуат	0,5 а.к	0,75 а.к	0,75 а.к	1 а.к
Тамақтану	220-240 В 50-60 Гц	220-240 В 50-60 Гц	220-240 В 50-60 Гц	220-240 В 50-60 Гц
Айналу жыл- дамдығы	3200 айн/мин	3600 айн/мин	3600 айн/мин	4000 айн/мин
Камераның сыйымдылығы	1.0 л	1.4 л	1.5 л	1.5 л
Өнімділік	3,2 кг/мин	4,5 кг/мин	4,5 кг/мин	5,2 кг/мин
Ішкі камера материалы	тот баспайтын болат	тот баспайтын болат	тот баспайтын болат	тот баспайтын болат
Пневматикалық қосқыш кіреді	Бар	Бар	Бар	Бар
Штепсельдік итергіш	Бар	Бар	Бар	Бар
Резеңке диа- фрагма	Бар	Бар	Бар	Бар
Ұсақтауыштың салмағы	5,7 кг	6,9 кг	7,5 кг	7,5 кг

ҚАУІПСІЗДІК НҰСҚАУЛАРЫ

*МАҢЫЗДЫ: БАРЛЫҚ НҰСҚА-
УЛАРДЫ ҚОЛДАНБАС БҰРЫН
ОҚЫҢЫЗ.
БОЛАШАҚТАҒЫ СІЛТЕМЕ-
ЛЕР ҮШІН НҰСҚАУЛАРДЫ
САҚТАҢЫЗ.*

Тамақ қалдықтарын жинағышты пайдалану кезінде келесі қауіпсіздік ережелерін сақтау қажет:

- Балалардың ұсақтағышпен ойнамауын қадағалау керек.
- Шүберектер, қағаз немесе аэрозоль құтылары сияқты тез тұтанатын заттарды қоқыстың жанында сақтамаңыз.
- Ұнтақтағыштың жанында бензинді немесе басқа жанғыш зат-

тарды сақтамаңыз немесе пайдаланбаңыз.

- Тағам қалдықтарын пісіру бөліміне тек ұсақтағыш өшірілген кезде ғана салыңыз.
- Ұсақтағышқа келесі заттардың түсуіне жол бермеңіз:
 - сілтілі құбырларды тазартқыштар (немесе ұқсас химиялық заттар),
 - ірі (қуыс) сүйектер,
 - моллюскалар,
 - шыны, фарфор,
 - пластик,
 - металл заттар (бөтелке қақпақтары, банкалар),
 - ыстық май (немесе басқа ыстық сұйықтықтар).

- Ұсақтағыштың пісіру бөлігінде кептелістің бітелуін немесе кептеліп қалған тағам қалдықтарын алмас бұрын, ұсақтағышты электр розеткасынан ажыратыңыз.
- Кептелген қалдықтарды өз бетіңізше алып тастау үшін «Ұсақтағыш ақауларын жою» бөліміндегі нұсқауларды орындаңыз.
- Ұсақтауыш камерасынан тұрып қалған заттарды алу үшін ұзын пинцет немесе қысқышты пайдаланыңыз.
- «Ұсақтағышты электр желісіне қосу» тарауындағы нұсқауларды оқыңыз.
- Тұрмыстық электр құрылғыларын қосу ережелерімен таныс болмасаңыз, білікті электрикке хабарласыңыз.

ҰСҚАУШЫҒА ҚЫЗМЕТ КӨРСЕТУ

Ұсақтағышқа қызмет көрсету немесе жөндеу үшін уәкілетті қызмет көрсету орталығына хабарласыңыз. Кепілдік келесі жағдайларда жойылады:

- егер өнім осы нұсқаулықтың талаптарын бұза отырып пайдаланылса,
- өздігінен жөндеу үшін бұйым қорабын ашу іздері болса.

Толығырақ, кепілдік шарттары ұсақтағышқа бекітілген кепілдік талонында көрсетілген.



ИЗМЕЛЬЧИТЕЛЬ ПИЩЕВЫХ ОТХОДОВ
HWD-400D01, HWD-600D01,
HWD-600D02, HWD-800D01

Өнімдер Кеден одағы мен Еуразиялық экономикалық одақтың техникалық регламенттерінде белгіленген барлық бағалау процедураларынан өтті.

Біздің құрылғыларды сертификаттау туралы толық ақпарат, техникалық регламенттер, сертификат нөмірі мен оның қолданылу мерзімі туралы мәліметтер, сертификатты берген орган, сіз ұйымның ресми сайтынан <http://harper.ru/certification> ала аласыз.

немесе тұтынушыларға қолдау көрсету нөмірін тексеріңіз, тел.: 8-800-600-7107

Қаптамада өндіріс күні көрсетілген

Қызмет мерзімі – 36 ай

Кепілдік мерзімі – 12 ай

Кепілдік қызметі қоса берілген кепілдік талонына сәйкес жүзеге асырылады.

Кепілдік картасы мен пайдаланушы нұсқаулығы осы өнімнің ажырамас бөлігі болып табылады.

Сіз өнім туралы қосымша ақпаратты және уәкілетті қызмет көрсету орталығының деректерін www.harper.ru веб-сайтынан немесе 8-800-600-7107 техникалық қолдау қызметіне қоңырау шалу арқылы біле аласыз.

Өндіруші: Harper International Trading Limited 15F, Radio City, 505 Hennessy Road, Causeway Bay, Гонконг

Қытайда жасалған

Шағымдарды қабылдауға уәкілетті импорттаушы / ұйым: LLC Progress-Plus 119607, Мәскеу, Удальцова көш., 50, 1 корпус, тел: +74951330210, info@harper.ru

