

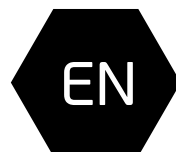
HYUNDAI



Электрический накопительный водонагреватель

Руководство по эксплуатации
Гарантийный талон

Electrical storage water heater



Instruction manual
Warranty card

Модели / Models

H-SWE1-30V-UI065
H-SWE1-50V-UI066
H-SWE1-80V-UI067
H-SWE1-100V-UI068

Table of contents

Introduction	3
General	3
Description	3
Stock number interpretation	4
Appearance	4
Design	5
Package contents	5
Technical specification	6
Overall and installation dimensions	6
Water heater safe operation and installation rules	7
Safety of children and people with physical disability	7
General safety rules	7
Installation/connection safety and precautions	8
Operation/cleaning safety and precautions	8
Disposal	9
Installation	9
Mounting	9
Water supply network connection	10
Electrical mains connection	10
Operation	11
Maintenance	12
Troubleshooting	14
Electrical schematic diagram	15
Certification	15

INTRODUCTION

Before installing and using the appliance, please very carefully read this instruction manual and manufacturer's warranty liabilities. Keep the instruction manual for future reference. If you hand over the appliance to another user, please hand over the instruction manual as well.

For more details or resolution of any occurred problems, please visit Hyundai website at www.hyundai-hvac.com. You can also contact the nearest regional service center of the manufacturer. If there are no service centers of the manufacturer in your region, please contact the regional dealer of Hyundai.

The content of this instruction manual has been checked and approved. The manufacturer is not responsible for any spelling mistakes in the text and incorrect interpretation of the instruction manual content.

The appearance, specifications, and package contents of the appliance can be modified by the manufacturer without preliminary notification.

GENERAL

Description

Electrical tank water heaters are used for supply of hot water in country houses, cottages, baths, and other utility spaces, which are not connected to the central hot water supply network. Such heaters can also be used as standby equipment in apartments for the preventive maintenance period of the hot water supply network.

The operation principle of the water heater assumes that water pressure in the water heater meets water pressure in the water main. As water is consumed, the water heater tank is continuously refilled with cold water.

The electrical tank water heater of Niagara series is designed for heating of tap water in household use. It is capable to prepare a lot of hot water and maintain the set temperature automatically. The water heater has a steel outer casing. Water is heated in a steel enameled tank using a copper heating element. Heat insulation made of an environmentally friendly material is provided between the outer casing and steel tank. The dense insulation layer ensures reduction of heat loss and significant saving of electrical energy.

For mitigation of corrosion effect and provision of consumers with water free from contamination, the water heater is equipped with a magnesium anode of extended length. The water heater has a water heating indicator and a water temperature control knob located on the bottom cover. The knob controls an integrated thermostat allowing the user to set various water heating temperatures in the range from +35°C to +75°C. A temperature limiter installed in the appliance excludes overheating of water above 88°C, while a combined check valve / pressure safety valve ensures safe operation of the water heater. If pressure inside the tank exceeds 0.75 MPa, the pressure safety valve will automatically open and exclude rupture of the casing.

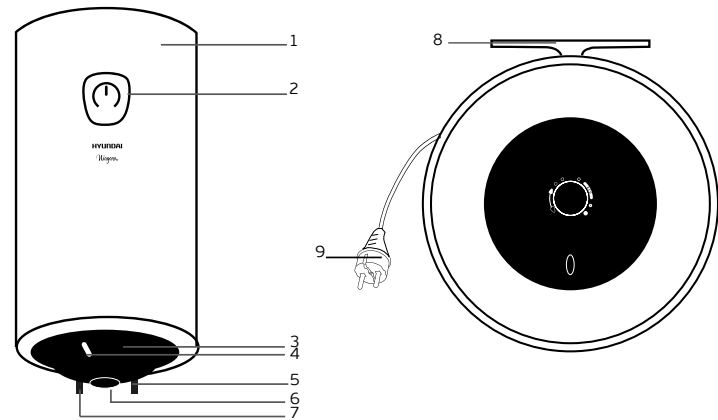
Stock number interpretation

Appliance series

H-SWE1-30V-UI065

- Individual model code
- Installation type
V - vertical installation way
- Rated water volume
30 - rated water volume is 30 liters
50 - rated water volume is 50 liters
80 - rated water volume is 80 liters
100 - rated water volume is 100 liters
- Series number
- Tank material
E - enamelled inner tank
- Appliance type
H-SW - Hyundai storage water heater

Appearance

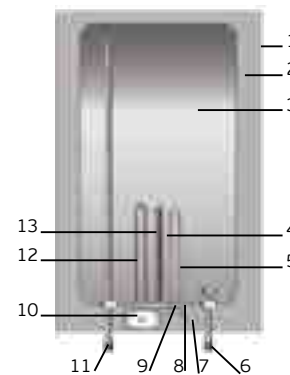


- 1 - Outer casing
- 2 - Thermometer*
- 3 - Bottom cover
- 4 - Heating indicator
- 5 - Cold water inlet
- 6 - Thermostat knob
- 7 - Hot water outlet
- 8 - Mount
- 9 - Power cord

* design of thermometer can be changed without any advance notice

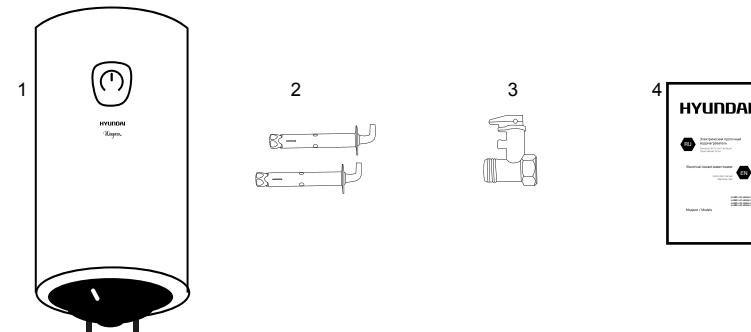


Design



- 1 - Outer casing
- 2 - Heat insulation
- 3 - Inner tank
- 4 - Thermostat sensor tube
- 5 - Temperature limiter sensor tube
- 6 - Inlet connection
- 7 - Temperature limiter (capillary)
- 8 - Temperature limiter sensor
- 9 - Thermostat sensor
- 10 - Capillary thermostat
- 11 - Outlet connection
- 12 - Heating element
- 13 - Magnesium anode

Package contents



- 1 - Water heater
- 2 - Anchor bolts
- 3 - Combined check valve / pressure safety valve
- 4 - Instruction manual

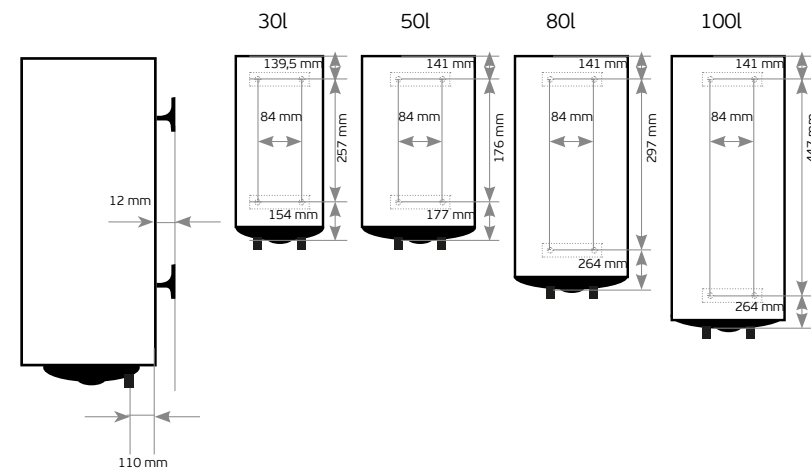
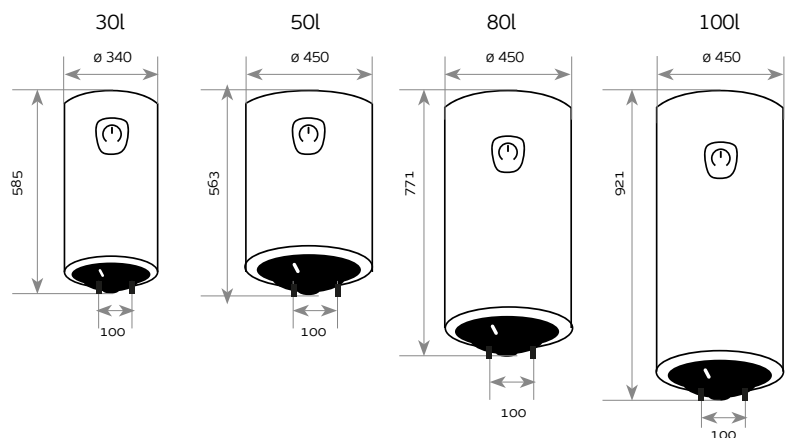


Technical specification

Appliance series	H-SWE1-30V	H-SWE1-50V	H-SWE1-80V	H-SWE1-100V
Rated power consumption, W	1500	1500	1500	1500
Rated voltage, V/Hz	220/50	220/50	220/50	220/50
Rated current, A	6,8	6,8	6,8	6,8
Rated water volume, l	30	50	80	100
Moisture protection class	IPX4	IPX4	IPX4	IPX4
Electrical protection class	I	I	I	I
Rated pressure, MPa	0,75	0,75	0,75	0,75
Operating pressure, MPa	0,1-0,75	0,1-0,75	0,1-0,75	0,1-0,75
Heating time (at $\Delta t=30^{\circ}\text{C}$), min	42	70	112	140
Actual annual electrical energy consumption, kWh	270,1	412,45	598,6	602,25
Constant daily heat loss, kWh/day	0,76	1,14	1,66	1,79
Overall dimensions, mm	Ø340x585	Ø450x563	Ø450x771	Ø450x921
Net weight, kg	14,15	17,89	24,13	27,75

Specifications are subject to change slightly without compromising the quality of water heater.

Overall and installation dimensions*



* Dimensions are given in mm with permissible variations of 1-5 mm

WATER HEATER SAFE OPERATION AND INSTALLATION RULES

Always observe the safety rules, when using the water heater. Improper operation due to ignorance of these rules may result in personal injury to the user or other people, as well as damage to their property. The manufacturer is not responsible for inflicted personal injuries and property damages as a result of improper installation and operation of the appliance.

Safety of children and people with physical disability

- The water heater is not designed for use by people (including children) with physical, sensory, or mental disability having insufficient experience and knowledge, if they are not supervised or instructed on use of the appliance by a person responsible for their safety.
- Any electrical appliance shall be supervised during its operation, especially if there are children close by.
- Carefully watch that children do not touch the appliance or use it as a game element.
- Do not allow children to use the water heater without supervision by adults.

General safety rules

- Never change the design of the water heater or modify it.
- Never use the water heater, if it is faulty.
- Do not use the water heater in explosive or corrosive environment. Do not store gasoline and other volatile highly inflammable liquids near the appliance.
- Do not use the water heater for purposes not specified in this instruction manual.
- Never splash water onto the heater or irrigate it.
- Any service operations shall be performed by a specialized organization, by qualified specialists.

Installation/connection safety and precautions

- Installation of the water heater in the operation place and arrangement of a power supply line shall be performed by a specialized organization, representatives of the manufacturer's service department, or specialists having permits for installation of electrical equipment with observation of the safety requirements.
- If the water heater installation/operation instructions are violated, the appliance is not subject to warranty service and the manufacturer does not bear the responsibility.
- Never install the water heater outdoors.
- Before installation and connection of the water heater to the electrical mains, check and make sure that the mains socket for the water heater has a grounding contact and it is properly grounded. If there is no grounding loop in your electrical mains, operation of the water heater is hazardous for life.
- Connect the water heater to 220 VAC / 50 Hz mains only. If necessary, clarify specifications of your electrical mains from the electrical energy suppliers.
- To avoid overheating and risk of fire / damage of the internal electrical circuit, do not change length of the power cord and do not connect the water heater via electrical extension cables.
- Make sure that the electrical cable does not cross sharp edges or contact with hot surfaces.
- To avoid air pockets and breakdown of the appliance, the water heater shall be installed strictly in vertical position with its connections downward.
- Do not swap locations of the water inlet and outlet positions, since this will result in breakdown of the water heater and may inflict harm to the user (see color marks - blue for water inlet and red for water outlet).

EN

Operation/cleaning safety and precautions



CAUTION!

Do not switch on the water heater, if water may freeze in it.

- The water heater is designed only for household use indoors in closed spaces. The water heater is not designed for industrial use.
- The water heater is designed only for heating of water. Do not use the appliance for heating of other liquids. This may inflict a severe damage to the water heater, other property, or result in a personal injury.
- Never switch on the water heater, if it is not filled with water or water cannot flow through the pressure safety valve.
- Water temperature in the water heater may reach 75°C. Therefore, do not place body parts under hot water upon first switching of the water heater. For prevention of burns, properly adjust outlet temperature of water.
- Do not remove the protection covers of the water heater during its operation or before de-energization.
- Immediately disconnect the water heater from the electrical mains in case of strange sounds, odor, or smoke from it.
- Do not use the water heater with the damaged electrical cable or other damages.
- For troubleshooting and repairs, please contact the nearest authorized service center of the manufacturer in your region.
- Before cleaning or maintenance of the water heater, always disconnect it from the electrical

- mains. Perform cleaning or maintenance in accordance with the guidelines of this instruction manual.
- Do not use hazardous chemicals for cleaning of the water heater and exclude their contact with it.

Disposal

Upon expiration of service life, the water heater shall be disposed. For more details regarding disposal of the water heater, please contact a representative of the local authorities. Service life is about 10 years. Service life of the appliance is not equal to the warranty period.

INSTALLATION



CAUTION!

Refer to «Water heater safe operation and installation rules»

During installation of the water heater, rigorously observe the laws, regulations, directives, and standards (safety requirements, disposal rules/procedure, electrical safety rules, etc.) effective in your country, as well as directives of local electrical energy/water suppliers.

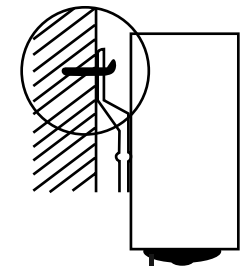
Mounting

The electrical water heater shall be installed on a firm wall. The wall planned for installation of the electrical water heater shall be capable to bear at least double weight of the water heater fully filled with water. The wall shall be free of cracks and other damages. Otherwise, take measures to reinforce the mount or install the water heater on a special support.

If the bathroom is too small, the water heater can be installed in another place not exposed to direct sunlight and inaccessible for moisture ingress. However for reduction of heat loss in pipes, the installation place of the water heater shall be located as close as possible to the hot water consumption point.

When selecting a location for the water heater, ensure free access to it as follows: at least 60 cm between the bottom part of the water heater and floor; at least 10 cm between the top part and ceiling. This will ensure the maximum comfort for maintenance and adjustment of the water heater, when necessary.

After you have selected the proper place for installation of the water heater, mark points to make holes for the anchor bolts with hooks. Drill two holes of appropriate depth in the wall using a drill with suitable size for the anchor bolts provided in the water heater package. After that, insert the bolts to the drilled holes and rotate the hooks of the bolts clockwise to securely tighten the nuts of the bolts. Then, hang the water heater onto the hooks of the anchor bolts and check security of mounting.



EN

Water supply network connection

The water heater is connected to the cold water supply network with operating pressure from 0.1 MPa to 0.7 MPa. If water pressure in the water supply network exceeds 0.75 MPa, install a reduction valve (pressure reducer) in the feed system so that operating pressure does not exceed 0.75 MPa.

If water hardness in the water supply main exceeds 450 mg/l (CaCO₃), we recommend you to use a separate water filter upstream of the water heater inlet to extend service life of the heating element.

For connection to the water supply network, the water heater has inlet and outlet connectors, which are marked with indication labels and provided with male thread 12 mm in diameter (G1/2").

Install the combined check valve / pressure safety valve provided in the package onto the cold water inlet connection marked with blue color. Connect a drain tube to the pressure relief port of the pressure safety valve for water drainage to the sewers (possible upon heating).

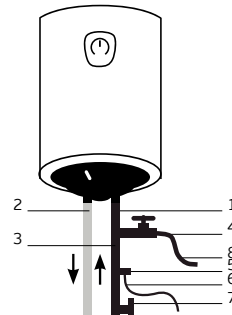


CAUTION!

Never operate the water heater without the installed check valve / pressure safety valve.

To facilitate maintenance of the water heater, we recommend you to install a drain valve and a tee between the cold water inlet connection and pressure safety valve. This tee will help you to faster drain water from the water heater. For your convenience, we recommend you to connect a water drain hose to the shutoff valve of the tee. This hose will allow you to route water drained from the water heater to the sewers or another selected destination. Connect the desired quantity of consumption points to the hot water outlet connection marked with red color. Open the cold water feed valve and one of the demountable valves in order to pass water flow through the water heater and make sure that it is operable. After the tank has been filled as indicated by water flowing from the demountable valve, close it, check tightness of all connections, and retighten them as necessary.

- 1 - Inlet connection
- 2 - Outlet connection
- 3 - Tee*
- 4 - Shutoff valve*
- 5 - Pressure safety valve
- 6 - Drain tube*
- 7 - Cold water inlet shutoff valve*
- 8 - Drain hose*



* not included to the package.

Electrical mains connection

The power cord of the water heater has a plug with a grounding contact. The water heater shall be used with the properly grounded mains socket. If the socket planned for use is not properly grounded or protected with a time-delay fuse / circuit breaker, please contact a qualified electrician for replacement of the socket.



CAUTION!

Proper grounding is important for minimization of electrical shock and fire hazards.

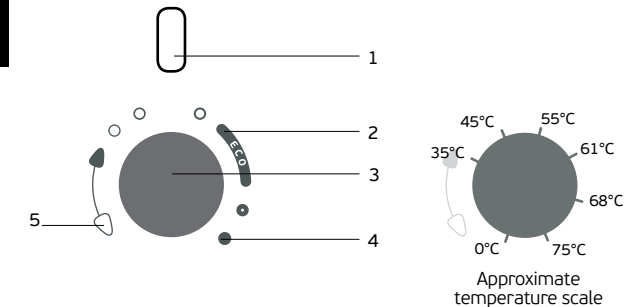
The water heater is designed for connection to the electrical mains with single-phase voltage of 220V. Before connection, make sure that parameters of the electrical mains at the connection point meet the parameters indicated on the name plate with specifications of the appliance. During installation of the water heater, observe the effective electrical safety rules. The electrical socket shall be designed for rated current not less than 10A. The electrical cable shall have conductor area not less than 3x1.5 mm² (for copper).

OPERATION



CAUTION!

Refer to «Water heater safe operation and installation rules»



- 1 - Heating indicator
- 2 - ECO position
- 3 - Thermostat knob
- 4 - Maximum water heating temperature position
- 5 - Off position

Open one of the demountable valves at outlet from the water heater and open the cold water inlet valve. When water starts to freely flow out from the demountable valve, close it and insert the plug of the power cord to the socket. When the water heater is used, the cold water inlet valve shall be in open position.

The water heating temperature in the water heater can be set in the range from +35°C to +75°C. To increase the water heating temperature, rotate the thermostat knob clockwise. To decrease the water heating temperature, rotate the thermostat knob counter-clockwise.

The water heater automatically maintains the set water temperature. When water temperature in the water heater reaches the user set value, heating will be automatically stopped and the heating indicator will extinguish. When water temperature in the water heater decreases below the user set value, heating will be automatically activated and the heating indicator will light up with bright pink color.

Placement of the thermostatic controller knob to the ECO position selects the mode, which corresponds to the most comfortable water heating temperature in the water heater (+58°C (±2°C)) and most efficient electrical energy consumption. To switch off the water heater, place the thermostat knob to the leftmost position and disconnect the water heater from the electrical mains.

**CAUTION!**

During heating, water may begin to drip from the port of the pressure safety valve. Water leakage cannot be avoided and shall not be prevented, since blocking of the valve may result in rupture of the internal tank (in case of equipment breakdown).

MAINTENANCE**CAUTION!**

Refer to «Water heater safe operation and installation rules»

EN

Check the electrical plug and socket as often as possible. Secure electrical contact and proper grounding shall be assured. The plug and socket shall not heat up abnormally. If the water heater is not used for a long period, especially in regions with low ambient temperatures (below 0°C), water shall be drained from the water heater in order to prevent its damage (due to water freezing in the internal tank).

To ensure reliable operation of the water heater for a long time, periodically clean the internal tank and remove deposits from the electrical heating elements of the water heater. In addition, periodically check condition of the magnesium anode (whether it is fully dissolved or not) for its timely replacement with a new one in case of full dissolution. The tank cleaning frequency depends on local water hardness.

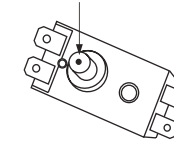
**CAUTION!**

The manufacturer provides an extended warranty, when preventive maintenance operations are carried out (refer to the warranty card).

Cleaning shall be carried out by specialized service departments. The address of the nearest service center can be obtained from the vendor or at www.hyundai-hvac.com. Preventive maintenance operations shall be carried out with strict observation of the instruction manual and safety rules.

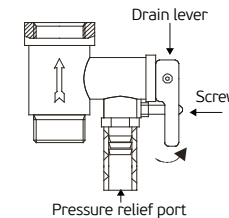
The water heater is equipped with a thermal switch, which will cut off supply of electrical energy to the electrical heating element in the event of water overheating/absence in the water heater. If the water heater is switched on, but water is not heated, this means tripping or need for reset of the thermal switch. To return the water heater to the operational condition, proceed as follows:

- disconnect the water heater from power supply and remove the molding of the bottom cover;
- press the button at the center of the thermal switch until the button clicks;
- if the button is not pressed and there is no click, wait until the thermal switch cools down to the initial temperature.

**CAUTION!**

If these actions do not give a positive result or the thermal switch trips on repeated occasions for a short period of time, then switch off the water heater, shut off water feeding to the water heater, and contact the authorized service center of Hyundai in your region for consultation or repair of the product.

If a drain valve and a tee are not provided (refer to "Water supply network connection"), you can drain water through the combined check valve / pressure safety valve. For that, unscrew the screw of the drain lever on the combined check valve / pressure safety valve and place the drain lever to the top position. At that, the hot water outlet valve shall be opened, while the cold water inlet valve of the water heater shall be closed.



EN

**CAUTION!**

Never drain water, if its temperature exceeds 50°C, since it may result in burns.

Please carry out test checks of the pressure safety valve for operability every 14 days as follows:

- place the drain lever to the top position until you feel transition of thread and then water will flow from the valve port. After you have confirmed that water flows out, return the lever to the previous position.

**CAUTION!**

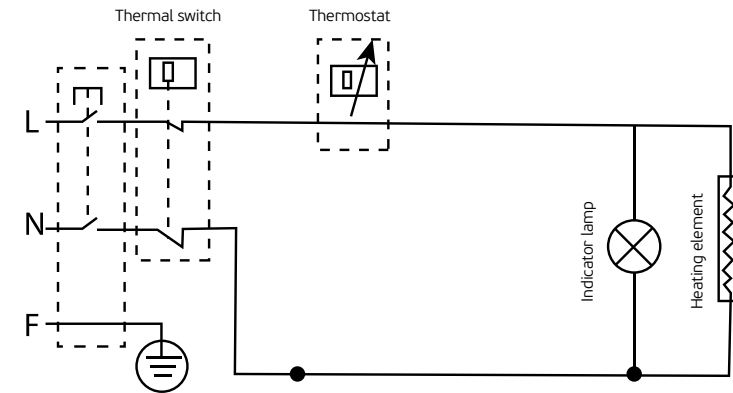
If water does not flow, this means that the valve is faulty. In this case, the water heater shall not be used and we recommend you to call a specialist of the service center.

Wipe the outer surfaces of the water heater with a moist cloth and soap as necessary.

TROUBLESHOOTING

Failure	Possible causes	Remedy
Water is not heated	<ol style="list-style-type: none"> 1. The temperature controller is damaged. 2. The temperature limiter is tripped or not activated. 3. The temperature limiter is damaged. 4. Insufficient time for heating. 5. The heating element is damaged. 	<ol style="list-style-type: none"> 1. Contact a repair specialist in the Hyundai service center. 2. Activate the thermal switch observing relevant guidelines. 3. Contact a repair specialist in the Hyundai service center. 4. Wait until water is heated. 5. Contact a repair specialist in the Hyundai service center.
Water does not flow from the hot water outlet valve	<ol style="list-style-type: none"> 1. Water feeding is shut off. 2. Water pressure is too low. 3. The cold water feed valve is closed. 	<ol style="list-style-type: none"> 1. Wait until water feeding is restored. 2. Switch on the water heater again, when normal water pressure is restored. 3. Open the cold water feed valve.
Water temperature is too high	The water temperature control system is damaged.	Contact a repair specialist in the Hyundai service center.
Water leakage	The seal at the connection point of the pipes is disturbed.	Replace the connection seal.
Water flows out from the appliance casing	<ol style="list-style-type: none"> 1. The internal tank is corroded 2. The seal at the connection point of the heating element is disturbed. 	<ol style="list-style-type: none"> 1. Contact a repair specialist in the Hyundai service center. 2. Contact a repair specialist in the Hyundai service center.

ELECTRICAL SCHEMATIC DIAGRAM



CERTIFICATION

If there is no copy of a new certificate in the package, ask a copy from your seller.

Содержание

Введение	17
Обзор	17
Описание	17
Расшифровка артикула	18
Внешний вид	18
Устройство	19
Комплектация	19
Технические параметры	20
Габаритные и установочные размеры	20
Правила безопасной эксплуатации и установки водонагревателя	21
Безопасность детей и лиц с ограниченными физическими возможностями	21
Общие правила безопасности	21
Безопасность и предостережения при установке и подключении	22
Безопасность и предостережения при эксплуатации и очистке	22
Утилизация	23
Установка	23
Монтаж	23
Подключение к водопроводной сети	24
Подключение к электрической сети	25
Эксплуатация	26
Обслуживание	27
Поиск и устранение неисправностей	29
Электрическая принципиальная схема	30
Сертификация	30

ВВЕДЕНИЕ

Перед установкой и использованием прибора очень внимательно изучите данное руководство и гарантийные обязательства производителя. Сохраните руководство для дальнейшего использования в качестве справочного материала. В случае передачи другому пользователю передайте ему прибор вместе с данным руководством.

Для получения дополнительной информации или в случае возникновения проблем посетите сайт Hyundai www.hyundai-hvac.com. Можно также обратиться в ближайший региональный сервисный центр производителя. Если в Вашем регионе не представлен сервисный центр производителя, обратитесь к региональному дилеру Hyundai.

Содержание данного руководства было проверено и одобрено. Производитель не несёт ответственности за любые орфографические ошибки в тексте и неверное толкование содержания руководства.

Внешний вид, характеристики и комплектация прибора могут быть изменены производителем без предварительного уведомления об этом.

ОБЗОР

Описание

Электрические накопительные водонагреватели используются для обеспечения горячей водой загородных домов, коттеджей, бань и других бытовых помещений, в которых нет центрального горячего водоснабжения, а также в качестве резерва в городских квартирах на период отключения горячей воды на профилактику.

Водонагреватель является прибором, действующим таким образом, что давление воды в водонагревателе, соответствует давлению воды в водопроводной магистрали. По мере расходования резервуар накопительного водонагревателя непрерывно пополняется холодной водой.

Электрический накопительный водонагреватель серии Niagara предназначен для нагрева водопроводной воды в бытовых условиях и способен подготовить большое количество горячей воды и поддерживать заданную температуру автоматически. Водонагреватель имеет стальной внешний корпус, а нагрев воды производится в стальном эмалированном резервуаре, с помощью медного нагревательного элемента, между внешним корпусом и стальным резервуаром проложена теплоизоляция из экологически чистого материала, плотный слой, которого уменьшает тепловые потери и значительно экономит электроэнергию.

Для снижения воздействия коррозии и обеспечения потребителя водой без примесей, в водонагревателе установлен магниевый анод увеличенной длины. Водонагреватель имеет индикатор нагрева воды, а также ручку регулировки температуры воды, вынесенные на нижнюю крышку. Ручка регулировки управляет встроенным термостатом, позволяющим задать различную температуру нагрева воды в диапазоне от +35°C до +75°C.

Ограничитель нагрева, которым комплектуется прибор, исключает превышение температуры воды свыше 88°C, а комбинированный обратно - предохранительный клапан гарантирует безопасную работу водонагревателя. В случае, если давление внутри резервуара превысит 0,75 МПа предохранительный клапан автоматически откроется и не допустит разрыва корпуса.

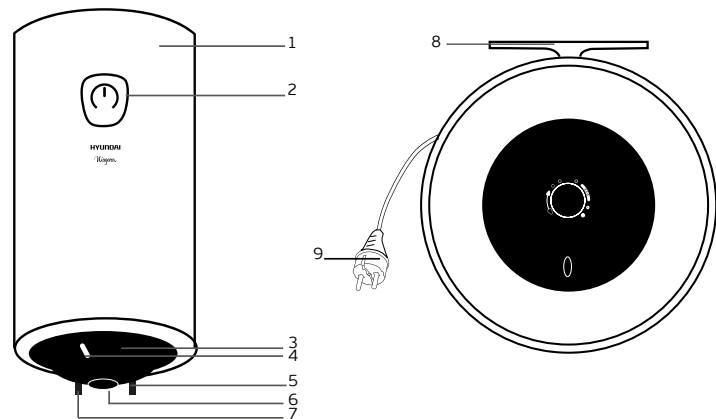
Расшифровка артикула

серия прибора

H-SWE1-30V-UI065

- Индивидуальный код модели
- Вид установки
 - V – вертикальное расположение
- Номинальный объём воды
 - 30 – номинальный объём воды 30 литров
 - 50 – номинальный объём воды 50 литров
 - 80 – номинальный объём воды 80 литров
 - 100 – номинальный объём воды 100 литров
- Номер серии
- Материал резервуара
 - E – стальной резервуар с эмалированным покрытием
- Тип прибора
 - H-SW – накопительный водонагреватель Hyundai

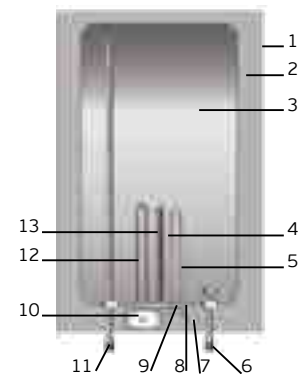
Внешний вид



- 1 - Внешний корпус
- 2 - Термометр*
- 3 - Нижняя крышка
- 4 - Индикатор нагрева
- 5 - Вход холодной воды
- 6 - Ручка термостата
- 7 - Выход горячей воды
- 8 - Кронштейн
- 9 - Сетевой шнур

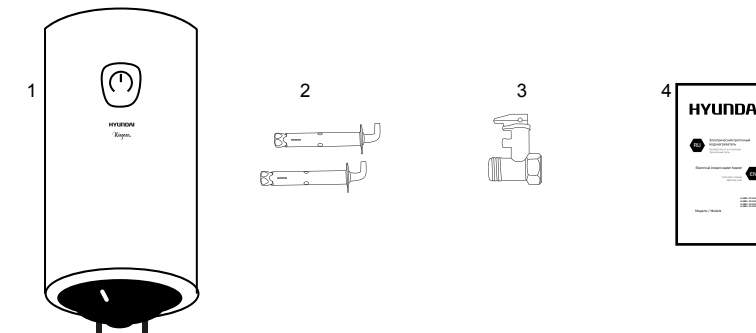
* дизайн термометра может быть изменен без специального предварительного уведомления

Устройство



- 1 - Внешний корпус
- 2 - Теплоизоляция
- 3 - Внутренняя емкость
- 4 - Трубка датчика термостата
- 5 - Трубка датчика термоограничителя
- 6 - Входной патрубок
- 7 - Термоограничитель (капиллярный)
- 8 - Датчик термоограничителя
- 9 - Датчик термостата
- 10 - Термостат (капиллярный)
- 11 - Выходной патрубок
- 12 - Нагревательный элемент
- 13 - Магниевый анод

Комплектация



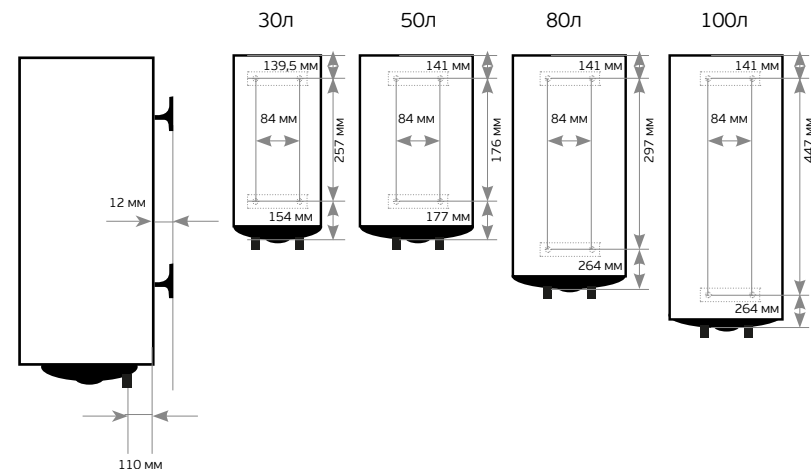
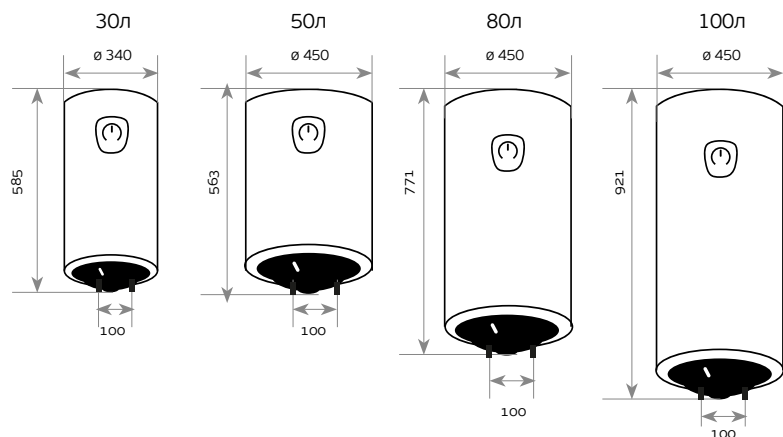
- 1 - Водонагреватель
- 2 - Анкерные болты
- 3 - Комбинированный обратно - предохранительный клапан
- 4 - Руководство по эксплуатации

Технические параметры

Серия прибора	H-SWE1-30V	H-SWE1-50V	H-SWE1-80V	H-SWE1-100V
Номинальная потребляемая мощность, Вт	1500	1500	1500	1500
Номинальное напряжение, В/Гц	220/50	220/50	220/50	220/50
Номинальный ток, А	6,8	6,8	6,8	6,8
Номинальный объём воды, л	30	50	80	100
Класс влагозащиты	IPX4	IPX4	IPX4	IPX4
Класс электрозащиты	I	I	I	I
Номинальное давление, МПа	0,75	0,75	0,75	0,75
Рабочее давление, МПа	0,1-0,75	0,1-0,75	0,1-0,75	0,1-0,75
Время нагрева (при $\Delta t=30^{\circ}\text{C}$), мин	42	70	112	140
Фактическое годовое потребление электроэнергии, кВт•ч	270,1	412,45	598,6	602,25
Постоянные суточные теплопотери, кВт•ч/сут	0,76	1,14	1,66	1,79
Габаритные размеры, мм	Ø340x585	Ø450x563	Ø450x771	Ø450x921
Вес нетто, кг	14,15	17,89	24,13	27,75

Технические параметры могут быть незначительно изменены без ущерба для качества продукции.

Габаритные и установочные размеры*



* Размеры указаны в мм, допускаются отклонения 1-5 мм

ПРАВИЛА БЕЗОПАСНОЙ ЭКСПЛУАТАЦИИ И УСТАНОВКИ ВОДОНАГРЕВАТЕЛЯ

При эксплуатации водонагревателя соблюдайте правила безопасности. Неправильная эксплуатация в силу игнорирования данных правил может привести к причинению вреда здоровью пользователя и других людей, а также нанесения ущерба их имуществу. Производитель не несёт ответственности за причинённый вред здоровью и повреждение имущества в результате неправильной установки и эксплуатации прибора

Безопасность детей и лиц с ограниченными физическими возможностями

- Водонагреватель не предназначен для использования лицами (включая детей) с ограниченными физическими, сенсорными или умственными возможностями, обладающими недостаточным опытом и знаниями, если они не находятся под наблюдением и не получили инструкций по использованию прибора от лица, ответственного за их безопасность.
- Любой электроприбор должен находиться под наблюдением во время его эксплуатации, особенно, если неподалёку от него находятся дети.
- Внимательно следите за тем, чтобы дети не прикасались к прибору и не использовали его как элемент игры.
- Не позволяйте детям использовать водонагреватель без контроля взрослых.

Общие правила безопасности

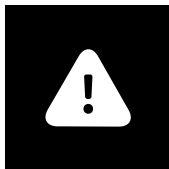
- Запрещено вносить изменения в конструкцию водонагревателя или модифицировать его.
- Никогда не используйте водонагреватель, если он неисправен.

- Не используйте водонагреватель во взрывоопасной или коррозионной среде. Не храните рядом с прибором бензин и другие летучие легковоспламеняющиеся жидкости.
- Не используйте водонагреватель, в целях, не предусмотренных данным руководством.
- Запрещается разбрызгивать воду на нагреватель или поливать его.
- Любые сервисные работы должны производиться специализированной организацией, квалифицированными специалистами.

Безопасность и предостережения при установке и подключении

- Установка водонагревателя в месте эксплуатации и подвод электропитания должны производиться специализированной организацией, представителями сервисной службы производителя или специалистами, имеющими разрешения на проведение работ по монтажу электрического оборудования, с соблюдением требований безопасности.
- При нарушении инструкций по установке и эксплуатации водонагревателя прибор гарантийному обслуживанию не подлежит, а изготовитель ответственности не несет.
- Установка водонагревателя вне помещения запрещена.
- Перед установкой водонагревателя, не подключая его к электросети, проверьте и убедитесь, что сетевая розетка для водонагревателя имеет контакт заземления и правильно заземлена. При отсутствии заземляющего контура в вашей электросети эксплуатация водонагревателя опасна для жизни.
- Подключайте водонагреватель только к сети 220В/50Гц. При необходимости выясните характеристики своей сети у поставщиков электроэнергии.
- Во избежание перегрева и риска возникновения пожара, а также повреждения внутренней электрической сети, не изменяйте длину сетевого шнура и не подключайте водонагреватель через электрические удлинители.
- Следите за тем, чтобы электрический кабель не пересекал острых краев и не касался горячих поверхностей.
- Во избежание воздушных пробок и выхода прибора из строя установка водонагревателя должна производиться строго в вертикальном положении патрубками вниз.
- Не меняйте местами позиции входа и выхода воды, т.к. это приведет к поломке водонагревателя и может причинить вред пользователю (см. цветовой указатели «синий» - вход воды, «красный» - выход воды).

Безопасность и предостережения при эксплуатации и очистке



ВНИМАНИЕ!

Не включать, если существует возможность замерзания воды в водонагревателе.

- Водонагреватель предназначен только для использования в бытовых условиях в закрытых помещениях. Водонагреватель не предназначен для промышленного использования.
- Водонагреватель предназначен только для нагрева воды. Не используйте прибор для нагревания других жидкостей, это может причинить серьезный вред водонагревателю, другому имуществу и Вашему здоровью.
- Запрещается включать водонагреватель, если он не наполнен водой или если

- обнаружена непроходимость воды через предохранительный клапан.
- Температура воды в водонагревателе может достигать +75°C, при использовании водонагревателя не следует подставлять части тела под горячую воду при первом включении. Для предотвращения ожогов правильно отрегулируйте температуру вытекающей воды.
- Не снимайте защитные крышки водонагревателя во время его работы и до отключения от него электропитания.
- Незамедлительно отключите водонагреватель от электрической сети, если от него идут странные звуки, запах или дым.
- Не используйте водонагреватель с поврежденным электрическим кабелем или с другими повреждениями.
- Для диагностики и проведения ремонта обратитесь в ближайший авторизованный сервисный центр производителя в вашем регионе.
- Перед началом очистки и технического обслуживания водонагревателя всегда отключайте его от электрической сети. Очистку и техническое обслуживание производите в соответствии с указаниями данного руководства по эксплуатации.
- Не используйте опасные химические вещества для чистки водонагревателя и не допускайте их попадания на него.

Утилизация

По окончании срока службы водонагреватель следует утилизировать. Подробную информацию по утилизации водонагревателя Вы можете получить у представителя местного органа власти.

Срок службы составляет около 10 лет. Срок службы прибора не равен гарантийному сроку.

УСТАНОВКА



ВНИМАНИЕ!

См. «Правила безопасной эксплуатации и установки водонагревателя»

При установке водонагревателя неукоснительно соблюдайте законы, распоряжения, предписания и нормы (требования техники безопасности, правила и порядок утилизации, правила техники и электробезопасности и т.д.), действующие в Вашей стране, а также предписания местных предприятий по электроснабжению и водоснабжению.

Монтаж

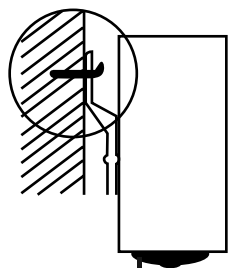
Электрический водонагреватель следует устанавливать на прочной стене. Стена, на которой устанавливается электрический водонагреватель, должна выдерживать, как минимум, двойной вес водонагревателя, полностью заполненного водой, на стене должны отсутствовать трещины и другие повреждения. В противном случае необходимо принять меры для усиления крепления или установить водонагреватель на специальной опоре. Если ванная комната слишком маленькая, водонагреватель можно установить в другом месте, закрытом от прямого солнечного света и недоступном для попадания влаги. Однако,

для снижения потерь тепла в трубопроводах место установки водонагревателя должно находиться как можно ближе к месту использования горячей воды.

При определении местоположения водонагревателя следует обеспечить свободный доступ к нему из расчёта не менее 60 см между нижней частью водонагревателя и полом, а также не менее 10 см между верхней частью и потолком. Это даст возможность максимально удобно обслуживать и регулировать водонагреватель при необходимости.

После того, как вы выбрали правильное место установки водонагревателя, определите точки для отверстий под анкерные болты с крюками. Просверлите в стене два отверстия соответствующей глубины с использованием сверла, подходящего по размеру под анкерные болты, прилагаемые к водонагревателю.

После чего вставьте болты в просверленные отверстия и, поворачивая крюки болтов по часовой стрелке, плотно затяните гайки болтов, затем повесьте водонагреватель на крюки анкерных болтов и проверьте надежность установки.



RU

Подключение к водопроводной сети

Водонагреватель подсоединяется к водопроводной сети холодного водоснабжения с рабочим давлением от 0,1 МПа до 0,75 МПа. При давлении воды в водопроводной сети более 0,75 МПа в подводящей системе смонтируйте редукционный клапан (редуктор давления), чтобы рабочее давление не превышало 0,75 МПа.

При жесткости воды в водопроводной магистрали более 450 мг/л (CaCO₃), перед входом воды в водонагреватель рекомендуется использовать отдельный фильтр очистки воды для увеличения срока службы нагревательного элемента.

Для подключения к водопроводной сети водонагреватель имеет входной и выходной патрубки, отмеченные индикационными ярлыками, с внешней резьбой диаметром 12 мм (G1/2").

Установите комбинированный обратно - предохранительный клапан из прилагаемого комплекта на патрубок входа холодной воды, обозначенного синим цветом. К отверстию сброса давления предохранительного клапана подсоедините сливную трубку для отвода воды (возможно появление при нагревании) в канализацию.

ВНИМАНИЕ!

Эксплуатация водонагревателя без установки обратно-предохранительного клапана запрещена.

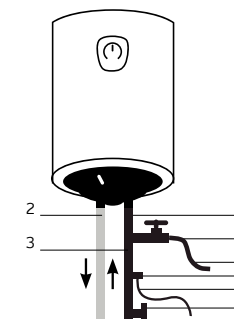


Для облегчения обслуживания водонагревателя рекомендуется установить сливной кран и тройник между патрубком входа холодной воды и предохранительным клапаном. Данный

тройник поможет быстрее сливать воду из водонагревателя. Для удобства рекомендуется подсоединить к отсечному крану тройника шланг для слива воды. Этот шланг позволит направлять сливаемую из водонагревателя воду в канализацию или другое выбранное Вами место.

К патрубку выхода горячей воды, обозначенного красным цветом, подключите желаемое количество точек потребления. Убедитесь в работоспособности водонагревателя, пропустив водяной поток через него, открыв кран подачи холодной воды и один из разборных кранов. После наполнения резервуара, о чём свидетельствует вытекание воды из разборного крана, закройте его и проверьте плотность всех соединений и, если понадобится, подтяните их.

- 1 – Входной патрубок
- 2 – Выходной патрубок
- 3- Тройник*
- 4 - Отсечной кран*
- 5 –Предохранительный клапан
- 6 - Сливная трубка*
- 7 - Отсечной кран входа холодной воды*
- 8 - Сливной шланг*



* не входит в комплект поставки.

RU

Подключение к электрической сети

Шнур питания водонагревателя оснащён вилкой с контактом заземления. Водонагреватель должен использоваться с правильно заземленной сетевой розеткой. Если розетка, которую вы намереваетесь использовать, не заземлена соответствующим образом или защищена предохранителем с задержкой на срабатывание или прерывателем цепи, свяжитесь с квалифицированным электриком для замены розетки.

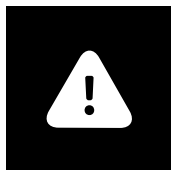


ВНИМАНИЕ!

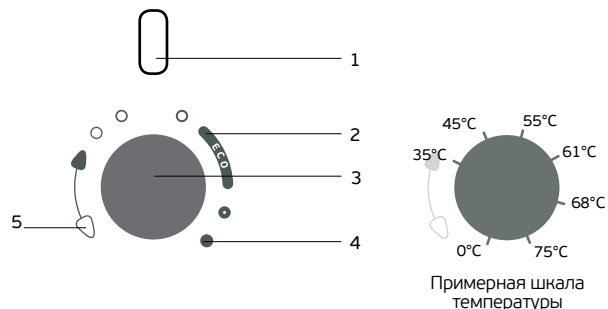
Правильное заземление важно для минимизации ударов током и опасности возгорания.

Водонагреватель рассчитан на подключение к электрической сети с однофазным напряжением 220 В. Перед подключением убедитесь, что параметры электросети в месте подключения соответствуют параметрам, указанным на маркировочной табличке с техническими данными прибора. При установке водонагревателя следует соблюдать действующие правила электробезопасности. Электрическая розетка должна быть рассчитана на номинальный ток не ниже 10А, электрический кабель с жилой сечением не менее 3х1,5мм² (для меди).

ЭКСПЛУАТАЦИЯ

**ВНИМАНИЕ!**

См. «Правила безопасной эксплуатации и установки водонагревателя»



- 1 - Индикатор нагрева
- 2 - Положение «ECO»
- 3 - Ручка термостата
- 4 - Положение максимальной температуры нагрева воды
- 5 - Положение «выключено»

Откройте один из разборных кранов на выходе из водонагревателя и откройте кран входа холодной воды, когда из разборного крана начнёт свободно вытекать вода, перекройте его и вставьте вилку сетевого шнура в розетку. Во время использования водонагревателя кран входа холодной воды должен находиться в открытом положении.

Температуру нагрева воды в водонагревателе можно установить в диапазоне от +35 °C (±5°C) до +75 °C (±5°C).

Поворачивая ручку термостата по часовой стрелке, вы увеличиваете температуру нагрева воды. Поворачивая ручку термостата против часовой стрелки, вы уменьшаете температуру нагрева воды.

Водонагреватель автоматически поддерживает установленную температуру воды. Когда температура воды внутри водонагревателя достигает установленной пользователем температуры, нагрев автоматически выключается, при этом индикатор нагрева гаснет.

Когда температура воды внутри водонагревателя понижается ниже установленной пользователем, нагрев автоматически включается, при этом индикатор нагрева загорается ярко - розовым цветом.

Установив ручку терморегулятора в положении « ECO », вы выберете режим, который соответствует наиболее комфортной температуре нагрева воды в водонагревателе (+58°C (±2°C)), а также наиболее эффективному режиму расхода электроэнергии.

Чтобы выключить водонагреватель, установите ручку термостата в крайнее левое положение и отключите водонагреватель от электрической сети.

**ВНИМАНИЕ!**

Во время нагревания может начать капать вода из отверстия предохранительного клапана. Избежать подтекания воды невозможно и нельзя препятствовать этому, так как блокировка клапана может привести к разрыву внутреннего резервуара (в случае аварии оборудования).

ОБСЛУЖИВАНИЕ

**ВНИМАНИЕ!**

Внимание! См. «Правила безопасной эксплуатации и установки водонагревателя»

Проверяйте электрические вилку и розетку как можно чаще. Должен быть обеспечен надёжный электрический контакт, а также правильное заземление. Вилка и розетка не должны чрезмерно нагреваться.

Если водонагреватель не используется продолжительное время, особенно в регионах с низкой температурой воздуха (ниже 0°C), для предотвращения повреждения водонагревателя (по причине замерзания воды во внутреннем резервуаре), воду из нагревателя следует слить.

Чтобы обеспечить надёжную работу водонагревателя в течение длительного времени, необходимо периодически чистить внутренний резервуар и убирать отложения на электрических нагревательных элементах водонагревателя, а также нужно периодически проверять состояние (полностью разложен или нет) магниевого анода, чтобы своевременно заменить его на новый, в случае его полного разложения.

Частота чистки бака зависит от жесткости воды, которая находится на данной территории.

**ВНИМАНИЕ!**

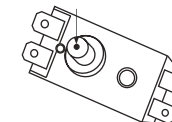
Производитель предоставляет расширенную гарантию при проведении профилактических работ (см. гарантийный талон).

Чистку должны проводить специальные сервисные службы. Адрес ближайшего сервисного центра можно узнать у продавца или на сайте www.hyundai-hvac.com.

Профилактические работы должны производиться при строгом соблюдении руководства по эксплуатации и техники безопасности.

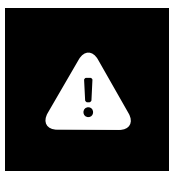
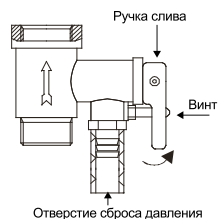
Водонагреватель оснащен термовыключателем, который прекратит подачу электроэнергии к ТЭНу, при перегреве воды или ее отсутствии в водонагревателе. Если водонагреватель включен в сеть, но не происходит нагрев воды, значит отключился или не был включен термовыключатель. Для возврата водонагревателя в рабочее состояние необходимо:

- отключить питание от водонагревателя, снять накладку нижней крышки.
- нажать до щелчка кнопку, расположенную по центру термовыключателя;
- если кнопка не нажимается и нет щелчка, то подождать пока термовыключатель остынет до исходной температуры.

**ВНИМАНИЕ!**

Если данные действия не дали положительного результата или отключение термовыключателя происходит неоднократно в течение короткого промежутка времени, то следует отключить питание водонагревателя, перекрыть подачу воды в водонагреватель и обратиться в Авторизованный Сервисный Центр Hyundai в Вашем регионе для получения консультации или ремонта изделия.

Если не предусмотрен сливной кран-тройник (см. п. Подключение к водопроводной сети), воду можно слить через комбинированный предохранительный клапан (для этого открутите винт ручки слива комбинированного предохранительного клапана и переведите ручку слива в верхнее положение, при этом разборный кран должен быть открыт, а кран подачи холодной воды в водонагреватель должен быть перекрыт).

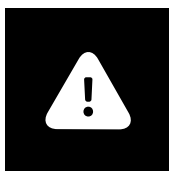
**ВНИМАНИЕ!**

Никогда не сливайте воду, если её температура выше 50°C, т.к. это может привести к ожогам

RU

Помните о контрольных проверках исправности действия предохранительного клапана каждые 14 дней - способ проверки:

-перевести ручку слива в верхнее положение до ощущения перехода резьбы и тогда из отверстия клапана должна потечь вода. После проверки вытекания воды верните ручку в предыдущее положение.

**ВНИМАНИЕ!**

Если вода не потечет, то клапан испорчен. В этом случае нельзя использовать водонагреватель и рекомендуется вызвать специалиста сервисного центра.

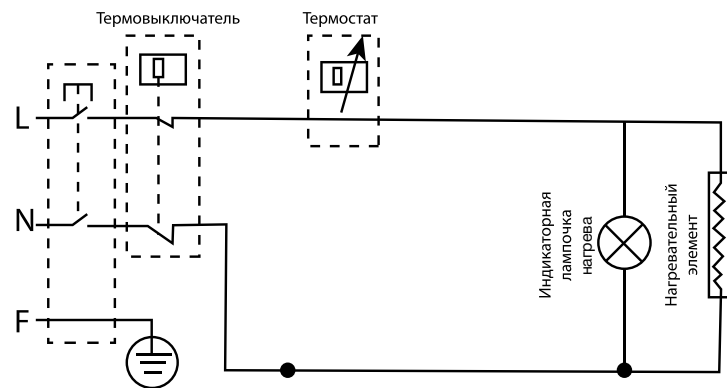
Наружные поверхности водонагревателя по мере необходимости протирайте влажной тряпочкой с мылом.

ПОИСК И УСТРАНЕНИЕ НЕИСПРАВНОСТЕЙ

Неисправность	Возможные причины	Устранение
Вода не греется	1. Повреждение устройства регулирования температуры.	1. Обратиться к специалисту по ремонту в сервисный центр Hyundai.
	2. Сработало или не было включено устройство ограничения температуры.	2. Включите термовыключатель, следуя инструкции по его включению.
	3. Повреждение устройства ограничения температуры.	3. Обратиться к специалисту по ремонту в сервисный центр Hyundai.
	4. Недостаточно времени для нагрева.	4. Подождать пока вода нагреется.
	5. Повреждение нагревательного элемента.	5. Обратиться к специалисту по ремонту в сервисный центр Hyundai.
Из крана выхода горячей воды не течет вода	1. Отключена подача воды.	1. Подождать восстановления подачи воды.
	2. Слишком низкое давление воды.	2. Включить водонагреватель снова, когда восстановится нормальное давление воды.
	3. Закрыт кран подачи холодной воды.	3. Открыть кран подачи холодной воды.
Температура воды слишком высокая	Повреждение системы контроля температуры воды.	Обратиться к специалисту по ремонту в сервисный центр Hyundai.
Протечка воды	Нарушено уплотнение в месте подключения труб.	Заменить уплотнение соединения.
Вода течет из корпуса прибора	1. Разрушение внутреннего бака (коррозия)	1. Обратиться к специалисту по ремонту в сервисный центр Hyundai.
	2. Нарушено уплотнение в месте присоединения нагревательного элемента	2. Обратиться к специалисту по ремонту в сервисный центр Hyundai.

RU

ЭЛЕКТРИЧЕСКАЯ ПРИНЦИПИАЛЬНАЯ СХЕМА



УВАЖАЕМЫЙ ПОКУПАТЕЛЬ!

Мы всегда рады предложить Вашему вниманию удобные пользовательские сервисы и продукты, нацеленные на то, чтобы сделать использование и обслуживание техники Hyundai еще более комфортным и удобным. Именно поэтому мы рекомендуем Вам воспользоваться услугами специализированного портала www.btprtg.ru, с помощью которого Вы можете заказать и оформить доставку всех необходимых расходных материалов и запчастей в течение гарантированного срока.

Всю дополнительную информацию о работе портала Вы можете найти на сайте www.hc-hvac.ru

RU

СЕРТИФИКАЦИЯ

При отсутствии копии нового сертификата в коробке, спрашивайте копию у продавца.

RU





Гарантийный талон

Территория действия:
Российская Федерация

Уважаемый покупатель! Обратите особое внимание на стр. 44

Действителен с Января 2014 года



Гарантийные обязательства

Бытовое изделие Hyundai

Гарантийное обслуживание и ремонт бытовой техники Hyundai с соблюдением требований и норм Изготовителя (Hyundai) производятся на территории РФ только в фирменных сервисных центрах Изготовителя или мастерских, уполномоченных производителем и работающих с ним на основании договора. Срок проведения экспертизы и гарантийного ремонта - не более 45 дней с момента приемки дефектного изделия авторизованным сервисным центром Hyundai.

Если при эксплуатации изделия Вы столкнулись с неполадками в его работе, которые Вы не можете устранить самостоятельно в строгом соответствии с Руководством по эксплуатации изделия, обратитесь к региональному представителю Изготовителя в России или в региональный авторизованный сервисный центр Hyundai, уточнив адрес у продавца. Полный перечень сервисных центров указан на сайте www.hc-hvac.ru или приложен отдельным списком в комплекте с изделием. Вы можете обратиться в уполномоченную сервисную службу Изготовителя по телефону **+7 (495) 627-5285**, либо по телефонам, указанным на сайте www.hc-hvac.ru, или отправить сообщение по электронному адресу service@hc-hvac.ru. Гарантируется безотказная работа изделия в соответствии со сроками, указанными в гарантийном талоне. Обязательно ознакомьтесь с условиями гарантийных обязательств и требуйте от продавца правильного и четкого заполнения гарантийного талона.



ВНИМАНИЕ!

Сервисная сеть Hyundai рассматривает гарантийные требования при наличии правильно заполненного оригинального гарантийного талона установленного Изготовителем образца, товарного (кассового) чека или другого документа, подтверждающего дату и факт продажи на территории РФ.

Если отсутствие надлежащим образом заполненного гарантийного талона на изделие или отсутствие чека с указанием изделия не позволяет идентифицировать изделие и факт его продажи на территории РФ, то Изготовитель вправе отказать в гарантийном обслуживании изделия.

При невозможности определить дату продажи изделия, гарантийный срок исчисляется с даты его производства.

Дата производства изделия определяется по реестру Изготовителя в соответствии с серийным номером изделия.

На каждое изделие выписывается отдельный гарантийный талон.

Дорогой покупатель техники Hyundai,

мы выражаем Вам огромную признательность за Ваш выбор. Hyundai сделал все возможное, чтобы данное изделие удовлетворяло Вашим запросам, приносило радость и уют в Ваш дом, а качество соответствовало лучшим мировым образцам для данного класса изделия. Официальные сроки службы на изделия Hyundai разных видов, предназначенных для использования в быту, установлены изготовителем:

- для электрических конвекторов - до 20 лет;
- для кондиционеров воздуха, осушителей - 10 лет;
- электрических тепловых пушек и завес - 7 лет;
- инфракрасных обогревателей - 8 лет;



- электрических водонагревателей проточного типа - 3 года;
- электрических водонагревателей накопительного типа - 10 лет;
- остальных изделий - от 3 до 5 лет.

Указанные сроки службы действительны только при условии соблюдения правил эксплуатации и правильного ухода за изделиями.

Полную информацию об официальных сроках службы для выбранной Вами модели Вы сможете найти на сайте www.hc-hvac.ru. Учитывая высокое качество, надежность и степень безопасности продукции Hyundai, фактический срок эксплуатации может значительно превышать официальный.

Заполнение гарантийного талона

Во избежание недоразумений убедительно просим Вас внимательно изучить Руководство по эксплуатации изделия и условия гарантийных обязательств, проверить правильность заполнения гарантийного талона. Согласно требованиям Изготовителя, гарантийный талон действителен только при наличии четко и правильно указанных данных: модели, серийного номера изделия, даты покупки, данных фирмы-продавца, подписи покупателя. Соответствующие данные также должны быть указаны продавцом на отрывных талонах. В отдельных случаях в гарантийном талоне обязательным является указание даты запуска изделия в эксплуатацию и штамп уполномоченной организации, производившей запуск в эксплуатацию (для изделий, требующих монтажа или предпусковой подготовки сертифицированным специалистом в соответствии с Руководством по эксплуатации). При проведении планового профилактического обслуживания изделия (там где это необходимо согласно руководству по эксплуатации) специалист сервисного центра обязан заполнить соответствующую часть гарантийного талона, поставить подпись и печать сервисного центра.

Модель и серийный номер изделия (на маркировочной (идентификационной) наклейке Изготовителя на изделии (ID) должны соответствовать указанным в гарантийном талоне продавцом. При нарушении этих условий, а также в случае, когда данные, указанные в гарантийном талоне, изменены или стерты, талон может быть признан недействительным.

ВНИМАНИЕ!

Производитель рекомендует приобретать приборы Hyundai только у авторизованных продавцов (см. условия на стр. 42-44).

Общие гарантийные условия

Данным гарантийным талоном Изготовитель подтверждает принятие на себя обязательств по удовлетворению законных требований потребителей в случае обнаружения недостатков изделия, возникших по вине Изготовителя в течение установленного гарантийного срока. Сроки действия гарантии на отдельные типы изделий указаны на стр. 42. Гарантийные обязательства дополняют и уточняют оговоренные законом обязательства, предполагающие соглашение сторон либо договор; выдаются Изготовителем в дополнение к законным правам потребителей и ни в коей мере их не ограничивают. Гарантия Изготовителя действительна только на территории РФ на изделия, купленные на территории РФ и изготовленные для РФ. Наличие надлежащим образом заполненного гарантийного талона и чека необходимо в целях возможности идентификации таковых изделий и факта их законной продажи на территории РФ.

Изготовитель оставляет за собой право:

- отказать в гарантийном сервисном обслуживании изделия в случае несоблюдения изложенных ниже условий (см. «Досрочное прекращение гарантийного обслуживания»);
- самостоятельно инициировать независимую экспертизу для выяснения обстоятельств, приведших к выходу прибора из строя;
- сравнивать предоставленную маркировочную (идентификационную) наклейку изделия (ID) с данными реестров производства для проверки соответствия серийного номера изделия уникальным производственным номерам реестров.
- предоставлять дополнительную гарантию; информация об условиях дополнительной гарантии содержится на сайте www.hc-hvac.ru.



Просим Вас хранить Гарантийный талон в течение всего гарантийного срока, установленного Изготовителем на приобретенное Вами изделие.

При покупке изделия требуйте от продавца проверку его комплектности и отсутствия механических повреждений в Вашем присутствии, а также правильного и четкого заполнения данного гарантийного талона. Претензии по некомплектности и выявленным механическим повреждениям после продажи не принимаются. Для гарантийного ремонта предъявляйте Гарантийный талон вместе с чеком покупки с указанной датой покупки.

Общие правила установки, подключения и запуска в эксплуатацию изделий, для которых требуется выполнение этих работ специализированными организациями.

Установка, подключение и запуск в эксплуатацию изделий торговой марки Hyundai допускается исключительно специалистами и организациями, имеющими лицензии или соответствующие разрешения (допуски) на данный вид деятельности, либо специалистами и организациями, авторизованными для монтажа и/или обслуживания данного вида техники.

О необходимости проведения тех или иных монтажных и/или сервисных работ специализированными организациями Вы можете узнать, внимательно ознакомившись с Руководством по эксплуатации на приобретенное Вами изделие.

Для монтажа приобретенного оборудования Вы можете воспользоваться платной услугой специалистов авторизованных сервисных центров Hyundai, которые проведут все необходимые работы для длительного и безопасного использования приобретенного Вами изделия.

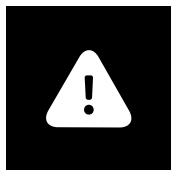
Вы можете также воспользоваться услугами любых других квалифицированных специалистов, однако, в этом случае, если изделие вышло из строя вследствие неправильной установки и подключения, Вы теряете право на бесплатное гарантийное обслуживание.

Досрочное прекращение гарантийного обслуживания.

Все условия гарантийного обслуживания регулируются Законодательством РФ и Законом РФ «О защите прав потребителей». В частности, отказ в бесплатном гарантийном обслуживании изделия может быть вызван:

- нарушением при оформлении гарантийного талона при продаже изделия;

- отсутствием товарного или кассового чека о продаже изделия или невозможностью определить продавца изделия;
- наличием следов механических повреждений, возникших после передачи изделия потребителю и явившихся возможной причиной возникновения дефекта;
- наличием повреждений, вызванных несоответствием стандартам параметров питающих сетей и других подобных внешних факторов, а также вызванных использованием нестандартных, неоригинальных (или некачественных) аксессуаров, принадлежностей, запасных частей, элементов и т.д.;
- нарушением правил Руководства по эксплуатации данного изделия;
- наличием следов несанкционированного вскрытия и/или ремонта изделия (за исключением случаев, предусмотренных Руководством по эксплуатации), повлекших за собой отказ в работе изделия;
- дефектом или отказом системы или ее части, где изделие использовалось как часть системы и это могло привести к дефекту или отказу изделия.



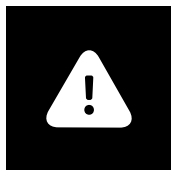
ВНИМАНИЕ!

Если в результате экспертизы/диагностики изделия установлено, что его недостатки возникли вследствие обстоятельств, за которые не отвечает продавец (изготовитель), либо недостатки в товаре отсутствуют, Потребитель обязан возместить продавцу (изготовителю или уполномоченной изготовителем организации) расходы на проведение экспертизы (диагностики), а также связанные с ее проведением расходы на хранение и транспортировку товара) в соответствии с Законом РФ «О защите прав потребителей» № 171-ФЗ в ред. от 21.12.2004 ст. 18 п.5.



Гарантийные обязательства не распространяются на перечисленные ниже части и принадлежности изделия, если их замена не связана с разборкой самого изделия или их замена требуется при профилактическом обслуживании:

- внешние блоки питания и зарядные устройства;
- соединительные герметизирующие прокладки, переходники и переключатели;
- монтажные приспособления, инструмент и документацию, прилагаемую к изделию.
- расходные части изделия, подразумевающие периодическую замену за счет потребителя (анодные стержни, герметизирующие прокладки, фильтрующие элементы и др.);
- части и узлы изделия, неисправность которых связана с естественным износом в процессе эксплуатации (фильтрующие элементы, приводные ремни, ролики, свечи зажигания, втулки, подшипники и т.д.);
- материалы, наклеенные на изделие, имеющие рекламное или информационное назначение, за исключением маркировочной (идентификационной) наклейки Изготовителя (ID).



ВНИМАНИЕ!

Если маркировочная (идентификационная) наклейка на изделие Hyundai (ID) закреплена на изделии не плотно и существует риск ее утери, то вклейте ее в гарантийный талон на последней странице.

Изготовитель не несет гарантийных обязательств за изделие в следующих случаях:

- если изделие использовалось в иных целях, не соответствующих его прямому назначению в соответствии с Руководством по эксплуатации;
- если на изделии отсутствует маркировочная (идентификационная) табличка Изготовителя (ID);
- если изделие имеет следы несанкционированного вскрытия, не предусмотренного Руководством по эксплуатации, и попыток неквалифицированного ремонта;
- если дефект вызван изменением/нарушением конструкции или схемы изделия, не предусмотренным Изготовителем;
- если обнаружены повреждения, вызванные попаданием внутрь изделия посторонних предметов, веществ, жидкостей, насекомых, скоплением большого количества пыли;
- если обнаружены повреждения, связанные с замерзанием внутри прибора жидкостей, отложением накипи на нагревательных элементах и внутренних поверхностях прибора, вызванных большим содержанием в воде солей железа, натрия, кальция, марганца и др.;
- если обнаружены повреждения, вызванные подключением к сетям (электрической, водопроводной) с недопустимыми параметрами;
- если дефект вызван действием непреодолимых сил, несчастными случаями, умышленными или неосторожными действиями потребителя или третьих лиц;
- если нарушены требования Изготовителя по проведению обязательных для сохранения гарантии и продления срока службы профилактических работ, описанных в Руководстве по эксплуатации;
- неправильного хранения (консервации / разборки-сборки на период хранения) изделия;
- если монтаж и использование изделия производится без разрешительной документации исполнительных органов власти субъектов РФ там, где подобная документация требуется в соответствии с требованиями законодательства РФ (в т.ч. Жилищного Кодекса РФ);
- в случае эксплуатации изделия с неправильно отрегулированными газовыми клапанами, газовыми или гидравлическими редукторами, прочими блоками и устройствами, требующими предварительной и/или периодической настройки и регулировки (если данные виды работ производились неуполномоченными на то организациями или лицами, либо были нарушены сроки проведения плановых регламентных/профилактических работ согласно Руководству по эксплуатации).

Изготовитель снимает с себя любую ответственность за возможный вред, прямо и или косвенно нанесенный продукцией Hyundai людям, домашним животным, и имуществу, в случаях, если это произошло в результате несоблюдения правил и условий эксплуатации или вследствие неквалифицированной установки (профилактики, обслуживания, ремонта) изделия, умышленных или неосторожных действий потребителя или третьих лиц.

Особые условия гарантийного обслуживания для отдельных типов техники.

Газовое оборудование

Гарантия Изготовителя имеет силу только в случае установки, подключения и пуска в эксплуатацию газового оборудования (газовые котлы, обогреватели и водонагреватели) авторизованной специализированной организацией с обязательным составлением Акта пуска в эксплуатацию и указанием в гарантийном талоне даты пуска и штампа организации, произведшей первый пуск. Исключение составляют изделия, для которых Руководством по эксплуатации предусмотрены самостоятельные установка, подключение и пуск в эксплуатацию самим потребителем.



Организация, производящая запуск в эксплуатацию и/или последующее сервисное обслуживание газового оборудования, должна иметь лицензии и/или разрешения на соответствующий вид деятельности (вид работ), а специалисты этой организации должны иметь соответствующие удостоверения (допуски) на проведение газовых работ.



Помните!

Изготовитель/импортер/продавец не несет ответственности в случае возникновения недостатков изделия из-за неправильных/некачественных монтажных, пусконаладочных, сервисных, профилактических работ неавторизованными организациями и специалистами.

Водонагревательное оборудование

Гарантийные обязательства Изготовителя не распространяются на случаи:

- если обнаружены повреждения, связанные с замерзанием внутри прибора жидкостей, отложением накипи на нагревательных элементах и внутренних поверхностях прибора, вызванных большим содержанием в воде солей железа, натрия, кальция, марганца и др.;
- если обнаружены повреждения, вызванные подключением к сетям (электрической, водопроводной) с недопустимыми параметрами, даже в случае кратковременного и однократного превышения параметров, указанных на маркировочной табличке Изготовителя на приборе и в Руководстве по эксплуатации на изделие;
- если водонагреватель эксплуатировался без защитных устройств или совместно с устройствами, имеющими не соответствующие водонагревателю технические характеристики и/или не рекомендованными Изготовителем (см. на сайте www.hc-hvac.ru или в Руководстве по эксплуатации);
- если обнаружены повреждения внутренних эмалированных емкостей из-за коррозии вследствие несвоевременной замены анодного стержня;
- если прибор вышел из строя в случае неиспользования потребителем умягчителя воды в районах, где вода по жесткости отличается от нормативов, принятых Изготовителем (см. на сайте www.hc-hvac.ru или в Руководстве по эксплуатации).

Таблица 1

Рекомендуемые профилактические работы для увеличения срока гарантии на внутреннюю ёмкость водонагревателя и нагревательный(-е) элемент (-ы), а также для выполнения условия долговременной работы водонагревателя в рамках заявленного срока службы и более.

Наименование рекомендуемых профилактических работ	Периодичность выполнения рекомендуемых профилактических работ для увеличения гарантии на нагревательный (-е) элемент (-ы)	Периодичность выполнения рекомендуемых профилактических работ для увеличения гарантии на внутреннюю ёмкость
Первоначальная проверка наличия и интенсивности образования накипи на нагревательном (-ых) элементе (-ах), определение сроков последующей проверки и удаления накипи, а также при необходимости удаление накипи с нагревательного (-ых) элемента (-ов).	Через первые 0,5 года после начала эксплуатации	-
Удаление накипи с нагревательного (-ых) элемента (-ов).	Не реже 1 раза в год или чаще в зависимости от определения интенсивности образования накипи на нагревательном (-ых) элементе (-ах), при первоначальной проверке.	-
Первоначальная проверка интенсивности образования накипи и осадка во внутренней ёмкости, определение сроков последующей проверки и очистки водонагревателя, а также при необходимости очистка водонагревателя.	-	Через первые 0,5 года после начала эксплуатации
Очистка внутренней емкости водонагревателя.	Не реже 1 раза в год или чаще в зависимости от определения интенсивности образования накипи и осадка во внутренней ёмкости, при первоначальной проверке.	Не реже 1 раза в год или чаще в зависимости от определения интенсивности образования накипи и осадка во внутренней ёмкости, при первоначальной проверке.

Первоначальная проверка состояния магниевого анода, интенсивности его разложения, определения сроков последующей проверки и замены магниевого анода, а также при необходимости его замены.	Через первые 0,5 года после начала эксплуатации	Через первые 0,5 года после начала эксплуатации
Замена магниевого анода.	Не реже 1 раза в год или чаще в зависимости от определения интенсивности разложения магниевого анода, при первоначальной проверке.	Не реже 1 раза в год или чаще в зависимости от определения интенсивности разложения магниевого анода, при первоначальной проверке.

ПРИМЕЧАНИЕ:

Периодичность профилактического обслуживания, а также сроки замены анодного стержня для водонагревателей устанавливаются мастером авторизованного сервисного центра при первом плановом обслуживании и определяется исходя из условий эксплуатации водонагревателя, жесткости и степени загрязненности воды. При проведении работ специалистом сервисного центра должна быть произведена соответствующая отметка в гарантийном талоне. При самостоятельном проведении замены анодного стержня владелец должен сохранять чеки на покупку анодного стержня.

Кондиционеры, устройства с компрессором

Гарантийные обязательства Изготовителя не распространяются на случаи:

- если покупатель самостоятельно без учета рекомендаций Изготовителя и продавца купил кондиционер надлежащего качества и установил в помещении, для которого изделие не подходит по своим техническим характеристикам;
- некачественного монтажа неавторизованной организацией/частными лицами, если не была правильно проведена вакуумизация трубопроводов, была проведена заправка недостаточного количества хладагента или допущены другие ошибки при монтаже (перегиб трубопроводов,
- негоризонтальное расположение блоков, нарушение допустимых перепадов высот установки между блоками и т.д.);
- эксплуатации изделия в недопустимых условиях и с нарушением режимов работы, прописанных в Руководстве по эксплуатации (например, использование режима обогрева сплит-системой при наружной температуре ниже -5°C без специального предохранительного от низкой температуры комплекта);
- если неисправность была вызвана нарушением сроков периодического обслуживания изделия;
- если неисправность была вызвана сильными загрязнениями фильтров и/или испарителя/конденсатора пылью, листвой, насекомыми и другими предметами.

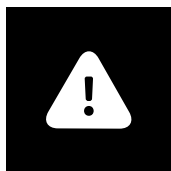
Таблица 1

Рекомендуемые профилактические работы для увеличения срока гарантии на компрессор кондиционера, а также для выполнения условия долговременной работы кондиционера, в рамках заявленного срока службы и более.

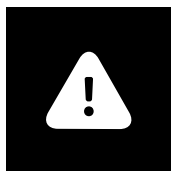
Наименование рекомендуемых профилактических работ	Для бытовых помещений		Для офисных помещений		Для торговых помещений	
	Рекомендуемый интервал	Рекомендуемые сроки	Рекомендуемый интервал	Рекомендуемые сроки	Рекомендуемый интервал	Рекомендуемые сроки
Чистка теплообменников внешнего и внутреннего блоков						
Мойка ванны для сбора конденсата		Июль		Май, август		Май, июль, сентябрь
Продувка трубопровода конденсата	Не реже 1-го раза в год		Не реже 2-х раз в год		Не реже 3-х раз в год	
Общая проверка системы						
Дозаправка (при необходимости)						

Электрические обогреватели

- Гарантийные обязательства Изготовителя не распространяются на случаи:
- если обогреватель эксплуатировался в положении, отличном от указанного в Руководстве по эксплуатации на данный прибор;
- если неисправность изделия возникла в результате попадания внутрь изделия посторонних предметов, веществ, жидкостей, насекомых, скоплением большого количества пыли;
- если в процессе эксплуатации был затруднен проход воздуха через вентиляционные отверстия и решетки (например, прибор накрывался какими-либо предметами, шторами, производилась сушка одежды без использования специальных, предусмотренных Изготовителем в Руководстве по эксплуатации устройств, большое скопление пыли снаружи и внутри прибора и т.д.)

**ВНИМАНИЕ!**

Если вы устанавливаете электрический конвектор без защиты от опрокидывания на ножки, то гарантия на прибор считается аннулированной, и потребитель осуществляет ремонт прибора полностью за свой счет. Электрические конвекторы с защитой от опрокидывания имеют специальную информацию на упаковочной коробке, также эта информация содержится в инструкции по эксплуатации прибора.

**ВНИМАНИЕ!**

Пожалуйста, потребуйте от продавца полностью, четко и правильно заполнить бланк Гарантийного талона.

Стандартные гарантийные сроки для изделий, произведенных начиная с 01.01.2014 и имеющих ID установленной формы (см. рис. 1):

- электрические кондиционеры воздуха, осушители воздуха, электрические маслонаполненные радиаторы, тепловые пушки, завесы - 2 года;
- электрические конвекторы, конвекционные радиаторы, панели, прочие электрические и газовые приборы (в т.ч. водонагреватели) - 1 год.

В части гарантии действуют дополнительные нормы, увеличивающие срок гарантии для различных компонентов ряда изделий:

Накопительные водонагреватели:

- Гарантия на течь емкости баков объемом более 30 литров включительно - 2 года (5 лет*);
- гарантия на течь емкости баков объемом менее 30 литров - 2 года (3 года*);
- гарантия на нагревательные элементы - 3 года*

Электрические конвекторы:

- нагревательный элемент серии - 3 года*

Кондиционеры воздуха:

- компрессор сплит-систем - 3 года*

* - **увеличенная гарантия** на отдельные компоненты и узлы изделий действует только при условии регулярного проведения периодического обслуживания изделия специалистами авторизованного сервисного центра. После каждого обслуживания в гарантийном талоне должны проставляться печати сервисного центра, подтверждающие факт прохождения

обслуживания. Если пользователь пропускает хотя бы одно обслуживание, то увеличенная гарантия на указанный компонент перестает действовать, и гарантия остается стандартной, как на весь прибор в целом. Перечень профилактических работ, а также примерные сроки прохождения периодического обслуживания, указаны в таблицах 1 и 2.



Рис. 1

**ВНИМАНИЕ!**

Техническое (профилактическое) обслуживание изделия (в т.ч. замена магниевого анода водонагревателя) не входит в гарантийные обязательства изготовителя и продавца и является дополнительной платной услугой.

Для ряда территорий могут действовать исключительные правила гарантии, увеличивающие срок на изделие или компоненты. Такие правила устанавливаются только по распоряжению Производителя официальным письмом Производителя.

**ВНИМАНИЕ!**

Если изделие использовалось в соответствии с его целями применения, установленными Руководством по эксплуатации, в рамках осуществления предпринимательской деятельности, то гарантийный срок изделия составляет 3 (три) месяца с момента продажи изделия или 5 (пять) месяцев с момента производства изделия, если дата продажи не установлена*. Срок проведения экспертизы и гарантийного ремонта - не более 45 дней с момента приемки дефектного изделия авторизованным сервисным центром Hyundai.

**ВНИМАНИЕ!**

Большинство приборов торговой марки Hyundai требуют профессиональных консультаций со специалистами соответствующей квалификации в процессе подбора, а также при вводе их в эксплуатацию. Производитель рекомендует приобретать приборы Hyundai только у авторизованных им продавцов. В предоставлении дополнительной гарантии может быть отказано, если прибор Hyundai был приобретен у продавцов, указанных в соответствующем разделе на сайте www.hc-hvac.ru, не исполняющих полностью или частично требований производителя к правилам обслуживания покупателей, а также требований производителя к предоставлению стандартных условий приобретения приборов Hyundai.

* Кроме кондиционеров воздуха, смотри стр. 40

Покупатель информирован о том, что он не вправе требовать возврата или обмена купленного изделия в порядке статьи 25 Закона «О защите прав потребителей» и статьи 502 Гражданского Кодекса РФ в соответствии с п.11 «Перечня непродовольственных товаров надлежащего качества, не подлежащих возврату или обмену на аналогичный товар другого размера, формы, габарита, фасона, расцветки или комплектации» Постановления Правительства РФ от 19.01.1998 г. №55.

Подписывая данный гарантийный талон, Покупатель признает, что он:

1. Проверил заполнение информации на стр. 45
2. Получил Руководство по эксплуатации на изделие на русском языке.
3. Владеет всей необходимой информацией о приобретенном изделии и его потребительских свойствах, характеристиках в соответствии со статьей 10 Закона РФ «О защите прав потребителей».
4. Ознакомлен и полностью согласен с условиями и ограничениями гарантийного обслуживания, а также с условиями установки / подключения / сервисного обслуживания / эксплуатации приобретенного изделия.
5. Не имеет претензий к внешнему виду / комплектности / работоспособности (если прибор проверялся в его присутствии при продаже) приобретенного изделия.

RU

Подпись покупателя (с расшифровкой)

_____ / _____

Дата

Гарантийный талон



ВНИМАНИЕ!

Пожалуйста, потребуйте от продавца полностью заполнить гарантийный талон и отрывные талоны.

Заполняется фирмой-продавцом

Изделие
Модель
Серийный номер
Дата продажи
Фирма-продавец
Адрес фирмы-продавца
Телефон фирмы-продавца

Без подписи покупателя на странице 44 Гарантийный талон является недействительным.

Заполняется установщиком

Сведения об установке изделия

Фирма-установщик
Номер сертификата
Дата установки
Мастер

HYUNDAI

Печать
фирмы
-продавца

Заполняется сервисным центром

«А»

Дата приема
.....
Дата выдачи
.....
Особые отметки
.....

Печать
сервисного
центра

«Б»

Дата приема
.....
Дата выдачи
.....
Особые отметки
.....

Печать
сервисного
центра

«В»

Дата приема
.....
Дата выдачи
.....
Особые отметки
.....

Печать
сервисного
центра

«Г»

Дата приема
.....
Дата выдачи
.....
Особые отметки
.....

Печать
сервисного
центра

Дата приема
.....
Дата выдачи
.....
Особые отметки
.....
Номер заказа-наряда
.....
Проявление дефекта
.....
Мастер
.....
Код неисправности
.....
Заполняется сервисным центром

Печать
сервисного
центра

Дата приема
.....
Дата выдачи
.....
Особые отметки
.....
Номер заказа-наряда
.....
Проявление дефекта
.....
Мастер
.....
Код неисправности
.....
Заполняется сервисным центром

Печать
сервисного
центра

Дата приема
.....
Дата выдачи
.....
Особые отметки
.....
Номер заказа-наряда
.....
Проявление дефекта
.....
Мастер
.....
Код неисправности
.....
Заполняется сервисным центром

Печать
сервисного
центра

Дата приема
.....
Дата выдачи
.....
Особые отметки
.....
Номер заказа-наряда
.....
Проявление дефекта
.....
Мастер
.....
Код неисправности
.....
Заполняется сервисным центром

Печать
сервисного
центра

Профилактическое обслуживание изделия.

(Заполняется специалистом авторизованного сервисного центра Hyundai)

№№	Дата выполнения работ	Перечень выполненных работ	Наименование СЦ	Ф.И.О. исполнителя, подпись, печать

Электрический накопительный водонагреватель

HYUNDAI

51.

Страна	Наименование сервисного центра	Код города	Телефон	Фактический адрес, электронный адрес	Примечание
Россия	ООО «Авангард Холго»	(495)	710-71-72, 627-52-85	г. Москва, Ленинградское ш., д. 57, корп.12, 2 этаж service@hc-hvac.ru	Единая сервисно-информационная служба на территории России.
Казахстан				kz.service@hyundai-hvac.com	
Белорусия				by.service@hyundai-hvac.com	



Вниманию покупателей!

Список сервисных центров Hyundai может быть дополнен или изменен без специального предварительного уведомления. Информация регулярно обновляется на сайте www.hc-hvac.ru, в разделе «Сервис». Также вы всегда можете задать свои вопросы, касающиеся сервисного обслуживания техники Hyundai, позвонив по телефону +7 (495) 627-5285.

Если у вас возникли претензии к работе сервисного центра Hyundai в вашем городе, просьба информировать об этом Генерального сервисного партнера Hyundai по телефону +7 (495) 627-5285 или электронной почте service@hc-hvac.ru своевременно. Также мы будем благодарны, если вы сообщите нам о некорректных данных (адрес, контактный телефон, название и т.п.) сервисного центра Hyundai в вашем городе, указанного в этой специальной информационной вкладке.

Ваши пожелания помогут нам организовать сервисную поддержку техники Hyundai на более высоком уровне. Спасибо за сотрудничество!





KO 제품 품질 보증 쿠폰은 해당 지역 디스트리뷰터에 요청하시기 바랍니다.



EN Ask distributor of your region for Warranty Coupon of a product.



ES Pida la garantía al distribuidor en su país.



KZ Бұйымның кепілдік талонын сатылған ел аумағындағы дистрибьютордан сұрастырыңыз.



BY Гарантыйны талон на выраб запытваць у дыстрыбутара на тэрыторыі краіны продажу.



Series of horizontal dashed lines for text entry.

54.

HYUNDAI

Электрический накопительный водонагреватель

.....

.....

.....

.....

.....

.....

.....

.....

.....

.....

.....

.....

.....

.....

.....

.....

.....

.....

.....

RU

55.

HYUNDAI

Электрический накопительный водонагреватель

.....

.....

.....

.....

.....

.....

.....

.....

.....

.....

.....

.....

.....

.....

.....

.....

.....

.....

RU

HYUNDAI

Licensed by Hyundai Corporation, Korea

www.hyundai-hvac.com



EAC CE