

BONE CRUSHER™

Economy Standard Mid Duty Heavy Duty Deluxe Premium



BONE CRUSHER™

FOOD WASTE DISPOSER

MODEL	500	600	700	800	900	1000
Horsepower	1/2	1/2	1/2	1/2	3/4	1 1/4
RPM	2600	2600	2600	2600	2700	2800
Stainless Steel Impellers	stamped	stamped	stamped	cast	cast	cast
Stainless Steel Grind Ring		yes	yes	yes	yes	yes
Sound Insulated		partial	full	full	full	full
Built-in Air Switch Available <small>(continuous feed models only)</small>			yes	yes	yes	yes
Batch Feed Available			yes	yes	yes	yes
Silver Guard Included <small>(continuous feed models only)</small>						
Warranty - USA & Canada Only	2 Years	3 Years	5 Years	8 Years	10 Years	10 Years

AVAILABLE ELECTRICAL CONFIGURATIONS : 100V, 115V 220-240V, 50/60HZ

Most Types of Food Waste Can Be Placed In Your Disposer



- All models feature:
- Bio Shield Antimicrobial Protection
 - Torque Master Grinding System
 - High RPM - High Torque PM Motor
 - Balanced Armature
 - Corrosion Proof Grinding Chamber
 - Speed Master Mounting System
 - Attached Power Cord
 - Septic Safe
 - Dishwasher Connection
 - Warranty Available in the USA & Canada

The Disposer Company That Cares...

(International Market- Outside of USA & Canada)
Anaheim Marketing International
 4332 E. La Palma Avenue
 Anaheim, California 92807
 Telephone: 714.993.1707 Fax: 714.993.1930
 Website: www.AnaheimMarketing.com
 Email: ContactUs@AnaheimMarketing.com

(USA & Canada)
Joneca Corporation
 4332 E. La Palma Avenue
 Anaheim, California 92807
 Telephone: 714.993.5997 Fax: 714.993.2126
 Website: www.Joneca.com
 Email: ContactUs@Joneca.com



The Only Disposer Treated With Bio Shield.
AntiMicrobial Protection
 Treated to Inhibit Bateria for **ODOR CONTROL!**

CUTTING EDGE POWER AND PROTECTION

Bone Crusher is the logical alternative to high priced, old line disposers. We are the latest work in materials and design features while being competitively priced.

BONE CRUSHER™

FOOD WASTE DISPOSER

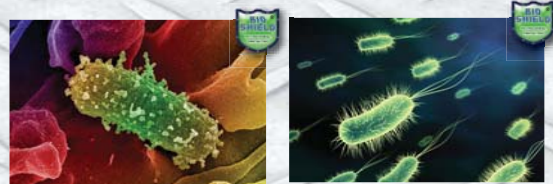


THE ONLY DISPOSER TREATED WITH

Bio Shield (Antimicrobial)
For **ODOR PROTECTION!**

Disposers are treated with an antimicrobial agent molded inside providing protection against odor causing bacteria growth.

Typical of germs protected by Bio Shield



Escherichia coli

Salmonella

AIR SWITCH POWER OPTION

The disposer is turned ON and OFF by air pressure created by pushing the button. The air travels from the button, through the air tube which is connected to the air switch inside the electrical box.



The Dual Outlet Air Switch (Built-In option) available with the Mid Duty models and above.



- Easy Installation
- Safe to use with wet hands
- Great for islands
- No wiring - Air activation



The **TORQUE MASTER BALANCED GRINDING SYSTEM** is a combination of computer designed and balanced components working in unison to provide superior torque grind speed and long system life.

- High Speed - High Torque Permanent Magnet Motors
- Balanced Turntables
- All Stainless Steel Grinding Components (except 500)
- Stainless Steel Armature Shaft
- Corrosion Proof Grinding Chamber
- Laser Sharp Cutting Ring
- Quieter Operation

BATCH FEED POWERED Models Available.



Mid Duty, Heavy Duty, Deluxe, and Premium models offer a Batch Feed version.

Built in switch activated by inserting stopper. No extra switch or wiring required.



The magnetic **SILVER GUARD** captures most metal objects before they enter into the disposer chamber. This protective feature helps prevent damage to valuable cutlery. It also helps prevent damage to the disposer as well as expensive repairs caused by metal objects falling into the disposer. Standard with Deluxe and Premium models.



FAST INSTALLATION

The **Speed Master Mounting System** has only six components and can be installed in a few minutes without the need for tools. It is much faster than the old style 3-bolt system with its ten parts and tool requirement. Attached power cord saves time and costs.

500 1/2 HP

- Torque Master Grinding System
- 2600 RPM
- Balanced Turntable/Armature
- Anti-Jam Stainless Steel Impellers
- Corrosion Proof Grinding Chamber
- Removable Splash Guard
- Power Cord & Plug Attached



600 1/2 HP

- Torque Master Grinding System
- 2600 RPM
- Balanced Turntable/Armature
- Anti-Jam Stainless Steel Impellers
- Stainless Steel Grinding Components
- Corrosion Proof Grinding Chamber
- Removable Splash Guard
- Power Cord Attached



700 1/2 HP

- Torque Master Grinding System
- 2600 RPM
- Balanced Turntable/Armature
- Anti-Jam Stainless Steel Impellers
- Stainless Steel Grinding Components
- Corrosion Proof Grinding Chamber
- Removable Splash Guard
- Power Cord & Plug Attached



800 1/2 HP

- Torque Master Grinding System
- 2600 RPM
- Balanced Turntable/Armature
- Anti-Jam Cast Stainless Steel Impellers
- Stainless Steel Grinding Components
- Corrosion Proof Grinding Chamber
- Full Sound Insulation
- Removable Splash Guard
- Power Cord & Plug Attached



900 3/4 HP

- Torque Master Grinding System
- 2700 RPM
- Balanced Turntable/Armature
- Anti-Jam Cast Stainless Steel Impellers
- Stainless Steel Grinding Components
- Corrosion Proof Grinding Chamber
- Full Sound Insulation
- Removable Splash Guard
- Power Cord & Plug Attached
- Silver Guard Protection



1000 1 1/4 HP

- Torque Master Grinding System
- 2800 RPM
- Balanced Turntable/Armature
- Anti-Jam Cast Stainless Steel Impellers
- Stainless Steel Grinding Components
- Corrosion Proof Grinding Chamber
- Full Sound Insulation
- Removable Splash Guard
- Power Cord & Plug Attached
- Silver Guard Protection



BONE CRUSHER™

FOOD WASTE DISPOSER

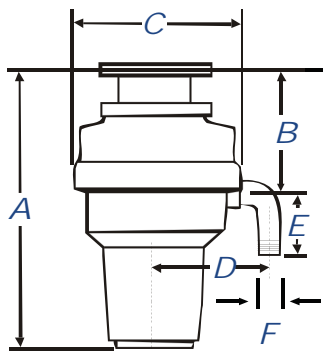


Batch Feed

Measurements in inches

	Economy	Standard	Mid-Duty	Heavy Duty	Deluxe	Premium
A	13.9	13.9	14.6	14.9	16	17.3
B	6.3	6.3	7	7.3	7.3	7.3
C	5.2	5.2	7.2	8.7	8.7	8.7
D*	5.4/5.5	5.4/5.5	5.4/5.5	5.5/5.7	5.5/5.7	5.5/5.7
E*	2.7 / 3.9	2.7/3.9	2.7/3.9	2.7/3.9	2.7/3.9	2.7/3.9
F	1.5	1.5	1.5	1.5	1.5	1.5

* White Elbow/Black Elbow



Batch Feed units add approx. 2.3"/58mm to the "A" and "B" dimension.

Measurements in millimeters

	Economy	Standard	Mid-Duty	Heavy Duty	Deluxe	Premium
A	354	354	372	378	404	439
B	161	161	179	185	185	185
C	132	132	182	220	220	220
D*	137/140	137/140	137/140	140/144	140/144	140/144
E*	70/100	70/100	70/100	70/100	70/100	70/100
F	38	38	38	38	38	38

* White Elbow/Black Elbow



(International Market- Outside of USA & Canada)
Anaheim Marketing International

4332 E. La Palma Avenue
 Anaheim, California 92807
 Telephone: 714.993.1707 Fax: 714.993.1930
 Website: www.AnaheimMarketing.com
 Email: ContactUs@AnaheimMarketing.com



(USA & Canada)
Joneca Corporation

4332 E. La Palma Avenue
 Anaheim, California 92807
 Telephone: 714.993.5997 Fax: 714.993.2126
 Website: www.Joneca.com
 Email: ContactUs@Joneca.com