

TELEFUNKEN



LED TV

**Телевизор цветного
изображения с
жидкокристаллическим
экраном**

TF-LED65S02T2SU

Version 2.0

Версия 2.0

Instruction manual

Руководство по
эксплуатации



Dear customer!

Thank you for purchasing our product. For safety, it is strongly recommended to read this manual carefully before connecting, operating and/or adjusting the product and keep the manual for reference in the future.

Table of contents	2
Before you start	3
Utilization of the product	3
Important safeguards	3
Installation	4
Base installation	4
Wall mounting	4
Connection	5
Outdoor antenna connection	5
Other connections	5
Operation	6
Control elements	6
Front panel	6
Back panel	6
Remote controller	7
Changing the battery	7
General operations	8
Signal sources	8
OSD operation	9
Channel menu	9
Picture menu	10
Sound menu	10
Time menu	10
Setup menu	11
Lock menu	11
Electronic programme guide	12
Digital programme recording	12
TimeShift function	12
CI information	12
USB operation	13
Background information.....	13
Operations of file playback	13
General information	14
Troubleshooting	14
Causes of interference	14
Accessories	15
Specifications	15

Before you start

Utilization of the product

If you want to dispose of this product, do not mix it with general household waste. There is a separate collection system for used electronic products in accordance with legislation that requires proper treatment, recovery and recycling.

Please contact your local authorities for the correct method of disposal. By doing so, you will ensure that your disposed product undergoes the necessary treatment, recovery and recycling and thus prevent potential negative effects on the environment and human health.

Important safeguards

- Please unplug the power cord from the AC outlet and contact a service center for repair if following occurs: any obvious abnormality appears in the unit, such as smoky, peculiar smell or strange sound; liquid has been spilled or other objects have fallen into the unit; no picture or sound; cover or panel is broken; although you have operated the unit following the operating instructions, it still cannot work normally.
 - This unit can be connected to a power supply outlet without the third ground contact as well as with a ground contact.
 - Always disconnect the power cord and antenna during a storm.
 - Do not fix the power cord with a metal nail.
 - Unplug the power cord from the AC outlet; also unplug the signal cables from the input ports when the unit is unused for long periods of time.
 - When unplugging the plug, always hold the wide slot, do not touch the metal part, and do not destroy, twist, pull or roast the power cord.
 - Please contact the service center immediately if you found that the core is showed in the air or has been broken.
 - Please replace the AC outlet if the metal bolt cannot be inserted into the power socket completely or it cannot be fastened even when it was pushed in, otherwise, any accidents of shocks and fires would happen.
- Never touch the antenna lie or power plug if it starts to thunder.
- Do not touch the power plug with wet hands.
 - Do not use any non-rated power socket with numerous devices jointed on one power socket or cable device. The wire of non-designated capacity may cause the fire due to the generation of heat.
 - All instructions must be read and understood well before you operate the unit. Heed all warnings and follow all instructions.
 - Please use the accessories provided by the manufacturer. Using inadequate accessories may result in accidents.
 - Please adjust the product through the panel buttons or the remote controller, do not remove the cover or attempt to service the product by yourself. Do not disassemble back cover and do not make maintenance by yourself to avoid the electric shock.
 - Over-press the panel may destroy the product.
 - Do not place the product on an unstable cart, stand surface, tripod, bracket, or table. The product may fall, causing serious accidents as well as the damage to the product.
 - Please place the product on a flat surface in a well-ventilated location. Keep it away from the burning-light, direct sunlight, vibration, high-temperature and humidity.
 - Do not place any vase, potted plant, cup, medicine and any container with water on this

product. If the liquid is spilt, it may cause the fire, electric shock or breakdown.

- Do not install it at the place on the strong magnetic field or current field. It may cause break down. This equipment may be observed deterioration of the picture by electromagnetic radiation in electromagnetic environment.
- Fasten the wheel of the product or shelf with wheels when installing this product. If it moves or is tipped over, it may be damaged.
- Do not place any fire source such as candlelight close to this product or place it on this product. If it is tipped over or fallen down, it may cause damage or fire.
- Do not place the unit into closed space of TV for better ventilation; it can reduce the product lifetime. Keep a space at least 10 cm at above, left, and right of the TV.
- Please place all the signal cords behind of rear panel.
- Do not overexert or touch the panel when you convey the product. Do not transfer the LED TV up or down display direction.
- Do not transport it with the power cord or the connection cable connected. If you move this product with the power cord or the connection cable connected, damaged power cord, connection cable or connection terminal may cause fire, electric shock or breakdown.
- 2 persons or more shall transport the device, which is heavier than 18 kg. If you drop or tip over the device, it may damage it.
- The temperature of the product's body becomes a little higher after a long period use. This phenomenon indicates that heat exchange in normal working mode, thus please do not let children or anyone who is sensitive of temperature to touch.

All images provided herein are schematic drawings and may differ from real objects.

WARNING

In order to avoid damage, make sure to secure the unit on the wall according to the wall mounting instruction.

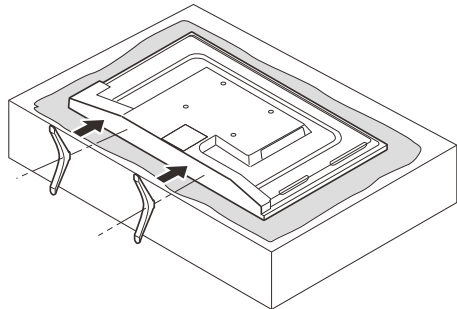
Installation

Wall mounting

For wall mounting the back panel of this unit is equipped with a VESA slot. A 400*400 mm VESA wall-mount bracket should be used for wall mounting. The wall-mounting bracket is not included and should be acquired separately. Manufacturer is not responsible for improper mounting resulting in a damage to the unit.

Stand installation

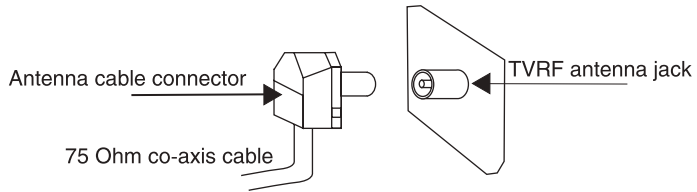
Cover a flat stable surface with a soft cloth. Place the TV unit facedown on the cloth. Insert double support legs and fix them with 4 screws as shown below.



Wall or ceiling mounting implements must be durable and sufficient enough to support the weight of the unit.

Before you start

Connection



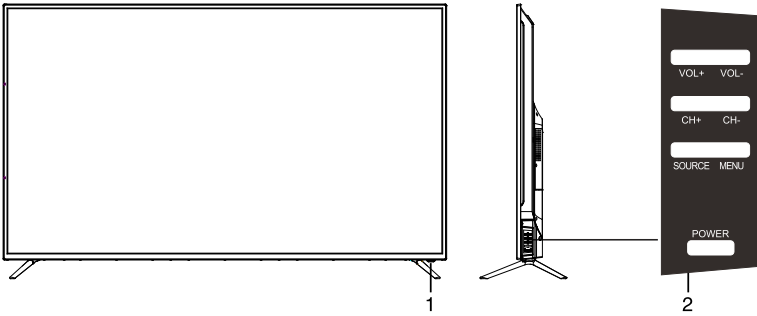
Outdoor Antenna Connection

Use 75Ω coaxial cable plug or 300-75Ω impedance converter to plug in antenna input terminal on the rear of the cabinet. The RF (S2) input is used for connecting a satellite antenna.

Other connections

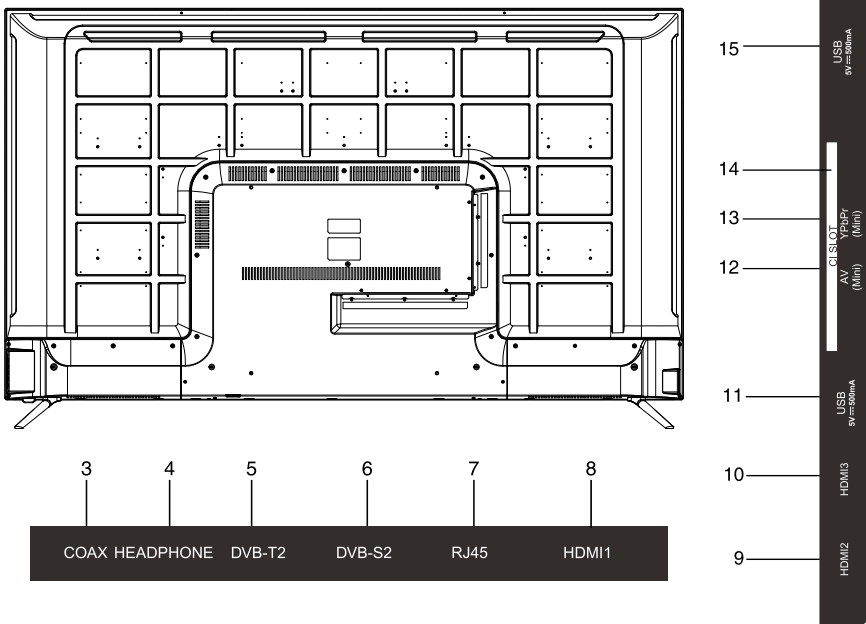
- Connect the video source to the AV mini input using a special cable (not included).
- Component input miniYPbPr is intended to receive component video signal from the external device. Connection is made with the help of a special component cable.
 - Plug the power cable in the electric outlet, making sure the current voltage is supported.
 - If the video source has a HDMI output jack, you can connect the signal to the TV with the HDMI cable (not included).
 - RJ45 Ethernet port is used for connecting the TV to the Internet using the Ethernet cable (not included).
- Coaxial SPDIF output is intended for transmitting multi-channel sound to an external decoder (e.g. in 5.1-CH format). Coaxial cable should be used for connection (not included).
 - Connect your headphones or earphones (not included) to the headphone socket of this unit. When earphones are connected, the sound output through the built-in speakers of this unit is mute.
 - PCMCIA slot is used for CI modules that are obtained from your digital TV provider.

Control elements



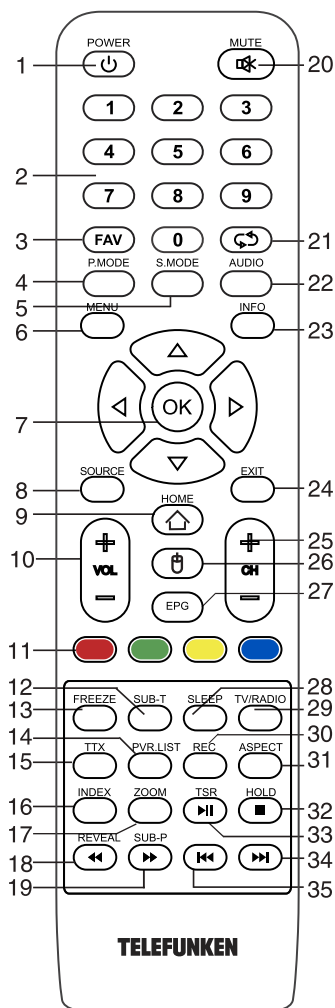
Control elements

- | | | |
|--|----------------------------|----------------------|
| 1. IR sensor/power indicator | 3. SPDIF coaxial output | 9. HDMI2 input |
| 2. Button panel:
VOL+, VOL- buttons,
CH+, CH- buttons,
SOURCE button,
MENU button,
POWER button | 4. Headphone socket | 10. HDMI3 input |
| | 5. TVRF antenna input | 11. USB port |
| | 6. Satellite antenna input | 12. AV input (mini) |
| | 7. Ethernet (RJ45) input | 13. Mini YPbPr input |
| | 8. HDMI1 input | 14. CI slot |
| | | 15. USB port |



Operation

Remote control (RC)

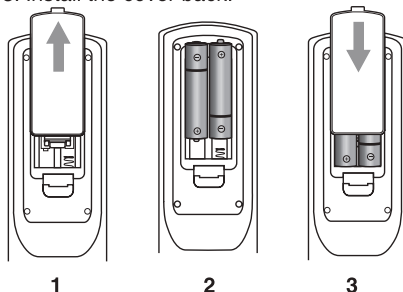


1. **POWER** (⏻) button
2. Number buttons
3. **FAV** button
4. **P.MODE** button
5. **S.MODE** button
6. **MENU** button
7. Cursor buttons (**UP**, **DOWN**, **LEFT**, **RIGHT**) / **OK** button
8. **SOURCE** button
9. **HOME** button

10. **VOL+/VOL-** buttons
11. Color buttons (**RED**, **GREEN**, **YELLOW**, **BLUE**)
12. **SUB-T** button
13. **FREEZE** button
14. **PVR.LIST** button
15. **TTX** button
16. **INDEX** button
17. **ZOOM** button
18. **BACK** (◀◀) / **REVEAL** button
19. **FORWARD** (▶▶) / **SUB-P** button
20. **MUTE** (🔇) button
21. **RETURN** (↶) button
22. **AUDIO** button
23. **INFO** button
24. **EXIT** button
25. **CH+/CH-** buttons
26. **MOUSE** button
27. **EPG** button
28. **SLEEP** button
29. **TV/RADIO** button
30. **REC** button
31. **ASPECT** button
32. **STOP** (■) / **HOLD** button
33. **PLAY/PAUSE** (▶||) / **TSR** button
34. **NEXT** (▶▶) button
35. **PREVIOUS** (◀◀) button

Changing the battery

1. Remove the battery compartment cover on the back of the RC.
2. Insert the batteries into the battery compartment making sure that the correct polarity is observed.
3. Install the cover back.




- Use two AAA batteries for the RC. The RC should be pointed at remote sensor within 8 meters and within 30 degrees at the left or the right side.
- Take the battery out of the RC if it is not used for a long time.
- Do not mix new and used batteries or different types of batteries. Weak batteries can leak and severely damage the RC.
- Do not expose the RC to shock, liquids, and do not place it in an area with high humidity.


CAUTION!


Incorrect installation of the batteries may lead to an explosion.

Please replace used batteries with the batteries of the same or comparable type.

General operations

• Press  button on the unit or on the RC to switch on the power. Press POWER button again to switch the unit off and go the the stand-by mode. To completely power off the unit unplug the power cable from the outlet.

 **For the TV to work correctly, wait until the operating system is fully loaded. Do not turn off the TV until the operating system is fully loaded. For a correct shutdown of running programs and the operating system, do not turn off the power.**

- Press VOL- button repeatedly to decrease the volume; press VOL+ button repeatedly to increase the volume.
- Press SLEEP button repeatedly to set the sleep time.
- Press EPG to launch the Electronic Program Guide (EPG).
- Press T.SHIFT to enable the Time
- Press SUB-T to show and set the language of a current DTV channel.
- Press REC to begin recording of current playback in PVR mode.
- Press  button on the RC to select from the present channel and the previously displayed channel.
- Press ASPECT button repeatedly to select a screen display size from the available list: 4:3/16:9/Zoom1/Zoom2/Panorama. Available aspects may differ for different signal sources.

• Press MUTE button to cut off sound, press this button again or adjust volume to resume sound.

• Press TV/RADIO button to switch between TV and radio modes when watching channels.

• Select the TV function mode. Press CH-/CH+ buttons to select previous or next channels; or press number buttons to enter a channel number directly.

• Press P.MODE button repeatedly to cycle through the available video picture modes.

• Press S.MODE button repeatedly to cycle through the available sound modes.

• Press INFO button to display the preset TV channel play information.

• Press FAV button to show the favourite channel list.

• Press AUDIO button in TV mode repeatedly to switch between various Nicam sound modes (can be unavailable for some channels).

Signal sources

Press INPUT button, then press DOWN/UP cursor buttons on the RC or CH+/CH- buttons on the panel to select a source from available source list. Press OK button on the RC or MENU button on the panel to confirm. Press EXIT to exit.

TELETEXT operations (option)

• Select the TV source mode. Then press CH-/CH+ buttons to select TV channel in order to pick up the picture signal of Teletext.

• Teletext button functions are as follows:

TEXT: Press this button to enter into Teletext mode. Follow the guides on screen and use the color buttons to navigate the Teletext.

Red/Green/Yellow/Blue buttons: Press these 4 color buttons to access directly to corresponding color page displayed at the lower parts of teletext screen.

REVEAL: press this button to display and reveal hidden information.

SUBPAGE: press to access a subpage of the Teletext.


HOLD: press this button to stop the move to the next page. Press this button again to cancel operation.

INDEX: press this button to go to the index page.

Operation

OSD operation

1. Press MENU button to enter the setting menu displayed on the screen.
2. Press LEFT/RIGHT cursor buttons on the RC to select setting page.
3. Press OK button on the RC to go to the parameter list.
4. Press UP/DOWN cursor buttons on the RC to select a parameter to adjust.
5. Press LEFT/RIGHT cursor buttons on the RC to adjust the selected parameter.
6. Press MENU button to return to the previous menu page. Press EXIT button on the RC to quit the menu.

 Some menu items may be in gray color, in this case they are not adjustable. Pictures of OSD menu are for reference only; they may differ from the real screens.

Channel

CHANNEL	Channel Edit
	Auto Tuning
	Manual Tuning
	Nicam

• The appearance of the Channel menu varies depending on the selected signal source. ATV is described in this manual. Press DOWN to go to the TV options menu.

- **Channel Edit:** opens the submenu where you can see all available channels. Press MENU to edit channels. You can skip them, delete and add to favorites.
- **Auto Tuning:** select this option to scan for available channels automatically.
- **Manual Tuning:** select this option to scan the available channels manually.
- **Nicam:** opens the Nicam settings submenu.

Picture

PICTURE	Picture Mode
	Brightness
	Contrast
	Color
	Sharpness
	Color Temp
	DNR
	Aspect Ratio

- **Picture Mode:** Press UP and DOWN buttons to select Picture Mode, then press LEFT/RIGHT button to select one of the picture modes: Standard, Dynamic, Soft, User. Press P.MODE to change the picture mode directly.

In User mode the following settings can be adjusted manually:

- Brightness: adjust the picture brightness.
- Contrast: adjust the highlight intensity of the picture.
- Color: adjust color intensity.
- Sharpness: adjust the peak level of detail in the picture.

- **Color Temperature:** change the overall color temperature of the picture:
 - Standard: Default vivid color temp.
 - Cool: gentle blue-hued image.
 - Warm: bright red-hued image.
- **DNR:** reduce the screen noise and improve the appearance of the picture. Off - Low - Middle - High - Auto.
- **Aspect Ratio:** select the screen aspect ratio. Auto/16:9/4:3/zoom1/zoom2/.

Sound

SOUND	Sound Mode
	Bass
	Treble
	Balance
	Surround
	AVL
	SPDIF
	Audio Description

- **Sound Mode:** Press UP and DOWN buttons to select Sound Mode, then press LEFT/RIGHT button to select one of the sound modes: Standard, Music, Theater, News, User. Press S.MODE to change the sound mode directly. In User mode you can adjust bass and treble settings manually.

- **Balance:** adjust the balance between left and right speakers to adapt to your listening position.

- **Surround:** enable or disable the surround sound effect.

- **AVL:** toggle auto-volume level on/off. Volume automatically remains on the same level of volume if you change programs. Because each broadcasting station has its own signal conditions, volume adjustment may be needed every time when the channel is changed. This feature allows users to enjoy stable volume levels by making automatic adjustments for each program.

- **SPDIF:** Auto/PCM/Off. Adjust digital sound settings via coaxial cable.

- **Audio Description:** switch the Audio Description feature on and off and adjust the volume level of the description.

Timer

TIMER	OSD Timer
	Sleep Timer
	Autostandby Timer

- **OSD Timer:** select the period for showing the on-screen display menus.

- **Sleep Timer:** select the period until automatic switch-off of the unit.

- **Autostandby Timer:** select the period after which the TV turns off automatically if no input is given.

Operation

System Lock

	Change Password
	System Lock
SYSTEM LOCK	Parental Control
	Keypad Lock
	Hotel Mode

- **Change Password:** change your system password. The default password is **0000**.
- **System Lock:** block and unblock system access using the password.
- **Parental Control:** restrict access to age-sensitive content using this feature.
- **Keypad Lock:** lock and unlock the buttons on the TV set.
- **Hotel Mode:** when the Hotel Mode is on, you can block and restrict some settings such as signal source, max volume level, etc.

Setting

	Menu Language
	Teletext Language
SETTING	Location
	Default Power Source
	Menu Reset

- **Menu and Teletext Language:** select the language of menu and Teletext.
- **Location:** specify the TV's location, e.g. Home.
- **Menu Reset:** restore all settings to their default values.


CEC

	HDMI CEC Setting
	Auto Power Off
	Auto Power On
CEC	CEC Devices List
	ARC Support
	Speaker Preference


- **HDMI CEC:** enable or disable the HDMI CEC (Consumer Electronic Control) feature.
- **Auto Power Off/On:** enable/disable and adjust automatic power on/off settings.
- **CEC Devices List:** see the list of connected devices that support CEC.
- **ARC Support:** when turned on, it allows you to use the system audio output from the device amplifier.
- **Speaker Preference:** select the desired output speaker.

USB operation


General information

 USB file systems supported: FAT32, 2.0 USB version is supported. Maximum capacity 1 TB. For correct and satisfactory operation, licensed USB devices of well-known brands should be used with this unit. Avoid using USB devices of unknown brands. Playback of photos and music of only JPEG and MP3 format is supported. The output capability of the USB port is 500 mA.

- This unit supports playback of video files with AVI, TS, MP4, MKV, MOV extension, with video codecs H264/AVC, H263, MPEG1/2/4 and audio codecs PCM, MP3, AAC.








 The above list of extensions and codecs is for information only and is not a guarantee that all files having the above extensions and codecs should be read by this unit.

- Some AVI files cannot be played due to their parameters and recording conditions. Video files with AVI extension exceeding 2 GB in size may be played partially.

 According to the USB 1.1/2.0 Standard, usage of a USB device with power current consumption exceeding 500 mA is not recommended without supplementary power supply. Failure to use supplementary power for connected USB drives with power consumption exceeding this value as well as defective USB drives may cause mechanical or thermal changes of elements of this unit as well as failure of internal elements of the USB port. Such damages are not warranty cases.

Warning: usage of external USB drives containing BIN files in the root directory may cause malfunction of the unit or damage to the software.

Operations of file playback

- In the content menu, press cursor buttons to select folder, press OK button to enter it, then press cursor buttons to select the file you want to watch or to listen to. Press OK to play the selected file.
 - While playback, press MENU button; the bottom of the screen will show playback menu in which you can select an operation with cursor buttons or perform this operation by pressing OK.
 - While playback, press  button to pause or resume playback. Press  button to stop playback.
 - When playing music files you can press   buttons to fast reverse or forward. You can press  buttons to select the desired files manually in normal condition.
 - When playing photo files, you can press   buttons to page up or page down the file. Press LEFT/RIGHT cursor buttons to rotate the image.
 - Press EXIT button to stop playback and return to the previous menu screen.

Operation

Electronic programme guide (EPG)

If you know the airing time of the current programme you can access the EPG menu by pressing the EPG button on the RC. The menu displays the list of the current available channels on the left, and the name of each programme starting in scheduled time periods on the right. Select the channel by pressing UP/DOWN and the programme by pressing LEFT/RIGHT. Follow the on-screen instructions and use color buttons to navigate this menu.


PVR/Timeshift function

Insert a USB drive, the system will automatically create a folder to store the files recorded. Recording begins when REC button is pressed, and it records all the time until ■ button is pressed or the memory is full.

Timeshift is a feature enabling you to pause an air program and resume watching from the same spot. Press the T-SHIFT button to activate Time Shift while recording. You can operate referring to the Timeshift menu on the screen.

CI information

(only in DTV mode): This function enables you to watch some encrypted services (pay services). Please insert a CI card into the PCMCIA slot according to the arrow on the CI card.

-  The function can only be available when CI card is present.
- It is possible for you to change CI (Common Interface) menu screen and service by consulting your dealer.
- Please do not insert or pull out the CI card when power on. During initialization of the CI card, please don't operate the TV.
- Do not insert or pull out the CI card frequently so as to avoid any damages of the TV and the CI card.
- If there is no picture and/or sound with the CI+ CAM module inserted, please contact the customer support of the service provider.

SMART TV

General Information

- This unit supports the SMART TV feature. For a detailed information about its operation please refer to a separate leaflet included in the documentation package.

Basic specifications	CPU/GPU	A55*4/Mali470MP*3 Quad Core 1.1 GHz
	Operating system	Android 9.0
	RAM	1.5 Gb DDR3
	Storage	8 Gb*
Connections	WiFi	802.11 b/g/n
	Ethernet	LAN RJ-45
	USB	USB 2.0

* User has direct access to less storage than that, as the operating system and pre-installed applications already occupy some of that memory.

Troubleshooting

Below is a table describing simple measures that can help you eliminate most problems likely to emerge when this unit is in use. If below measures do not help, turn to a service center or to the nearest dealer.

Symptom	Cause	Solution
No picture, no sound, and no indicator light	The power cord is not plugged in. Contrast, brightness, color and volume are all in the minimum value or TV is in mute mode.	Plug the power cord in. Alter the value of contrast, brightness, color and volume.
Picture and sound with abnormality	Contrast and color are set improperly. Color system is set improperly. Sound system is set improperly.	Set the value of Contrast and color properly. Set the sound system properly.
Picture is spotted or with snow	Signal source is low-grade or the signal is in a lower quality.	Use the qualified signal cord.
Picture is split in two parts	Either AV or component input is chosen as a source.	Choose the correct source mode depending on the cable you use (AV or component)
Blue background	No video signal or the signal cord is improperly/not connected.	Connect the signal cord properly.
No sound	No audio signal or the signal cord is improperly/not connected.	Connect the audio signal cord properly. Set the sound system properly.
The RC does not work	Batteries are improperly installed or exhausted.	Make sure the positive and the negative polarities are correct. Reattach the battery lid. Replace the batteries.

Causes of interference

Incorporated in your TV receiver are the most up-to-date devices to eliminate interference. Local radiation however, can create disturbances, which visibly affect your picture. Proper installations, a good aerial are your best safeguards against these disturbances.

- **RF INTERFERENCE:** Moving ripples across the screen are caused by nearby transmitting or receiving short-wave radio equipment.
- **DIATHERMY:** Herringbone pattern and partial picture loss can result from the operation of diathermy equipment from a nearby doctor's surgery or hospital.
- **SNOW:** Weak TV signals from long distant stations result in an instead picture and give the effect of falling snow. An antenna adjustment or antenna amplifier may be needed.
- **GHOST:** Multiple image, caused by TV signals reflected back from surrounding buildings, hills, aircraft, etc. is minimized by correct aerial positioning.
- **CAR IGNITION:** Nearby cars and electrical motors can cause small streaks across the picture or make the picture roll.


General Information

Accessories

1. LED TV	1 pc
2. Remote controller	1 pc
3. Battery	2 pcs
4. Stand	2 pcs
5. Screw	6 pcs
6. Mini YPbPr cable	1 pc
7. Instruction manual	1 pc

Specifications

Size (diagonal)	65" (165 cm)
Response time	8 ms
Resolution	3840 x 2160
Aspect ratio	16:9
View angle (Horizontal/Vertical)	178° / 178°
Color system	PAL, SECAM
Sound system	B/G, DK, I, L
NICAM Stereo	2 x 8 W
Digital coaxial audio output (SPDIF)	+
Component video in (mini)	+
AV in (mini)	+
USB port	x2
HDMI input	x3
SMART TV	+
DVB-T/DVB-T2/DVB-C/S/S2 signal reception	+
PCMCIA slot (CI, CI+ support)	+
Russian and English OSD	+
Progressive scan	+
Digital comb filter	+
Number of channels	DTV 1000, ATV 100
Electric shock protection class	II
Nominal voltage range:	~100–240 V; 50 Hz;
Unit dimensions: with stand	1460 x 904 x 285 mm
without stand	1460 x 843 x 84 mm
Net weight	17.8 kg

 The LCD panel is a high technology product with many thin film transistors that can give you a fine picture details. Occasionally, a few non-active pixels may appear on the screen as a fixed point of blue, green, red, black or white, please note that this does not affect the performance of your LCD TV.

Warning: For the sake of improvement, unit specifications may be subject to change without prior notice.

Уважаемый покупатель!

Благодарим Вас за покупку нашего изделия. Чтобы понять, как правильно и безопасно пользоваться приобретенным устройством, рекомендуется тщательно изучить настоящее руководство перед подключением и эксплуатацией изделия. Сохраняйте руководство для использования в будущем.

Содержание	16
Перед началом эксплуатации	17
Утилизация изделия	17
Меры предосторожности	17
Установка	19
Установка на подставку	19
Крепление на стену	19
Подключение	20
Подключение внешней антенны	20
Прочие подключения	20
Управление устройством	21
Элементы управления	21
Передняя панель	21
Задняя панель	21
Пульт дистанционного управления	22
Установка батареек	22
Общие операции	23
Источники сигнала	23
Операции с телетекстом	23
Экранное меню	24
Настройка каналов	24
Настройка изображения	25
Настройка звука	25
Настройка времени	26
Настройка параметров	26
Настройка блокировки	27
Электронный телегид	28
Запись цифровой программы	28
Функция TimeShift	28
Интерфейс CI	28
Операции с USB	29
Общая информация	29
Воспроизведение файлов	29
Общая информация	31
Руководство по устранению неисправностей	31
Источники помех	31
Комплект поставки	32
Технические характеристики	32

Перед покупкой рекомендуется провести проверку оборудования:

- на отсутствие механических повреждений конструкции, внешнего оформления и упаковки, на функционирование, на сохранность пломб, на соответствие комплекта поставки данным разделу "Комплектность". Проведение проверки на функционирование является обязанностью продавца;

- на наличие гарантийного талона

- на правильность простановки в гарантийном талоне даты продажи и штампа продавца.

Рекомендуется сохранять товарный (кассовый) чек, руководство по эксплуатации с гарантийным талоном до конца гарантийного срока эксплуатации.

Перед началом эксплуатации

Утилизация изделия

Если вы желаете утилизировать данное изделие, не выбрасывайте его вместе с обычным бытовым мусором. Существует отдельная система сбора использованных электронных изделий в соответствии с законодательством, которая предполагает соответствующее обращение, возврат и переработку.

Обращайтесь в органы местного управления за инструкциями по правильной утилизации продукта. Тем самым Вы обеспечите утилизацию Вашего изделия с соблюдением обязательных процедур по обработке, утилизации и вторичной переработке и, таким образом, предотвратите потенциальное негативное воздействие на окружающую среду и здоровье людей.

Меры предосторожности

- Пожалуйста, извлеките шнур питания из розетки и свяжитесь с сервисной службой в следующих случаях: если в устройстве имеются явные неисправности, например, из него идет дым, чувствуется специфический запах или слышен нехарактерный звук; если внутрь устройства попала жидкость или посторонние предметы; если нет изображения или звука; если поврежден корпус или панель; если Вы пользуетесь устройством согласно инструкции, но оно не работает должным образом.

- Данное изделие может подключаться к розетке питания как без заземляющего третьего контакта, так и с заземляющим третьим контактом.

- Во избежание поражения электрическим током защищайте шнур питания от возможного нажатия на него или заземления, особенно рядом с разъемами.

- Не закрепляйте шнур питания метизами.
- Если Вы не пользуетесь устройством длительное время или в случае грозы обязательно отключайте шнур питания из розетки, а также отключайте все сигнальные кабели от входных разъемов.

- При отключении вилки из розетки всег-

да держитесь за утолщение на вилке, не касайтесь металлических частей, не тяните за шнур и не ломайте и не перегибайте его, не ремонтируйте, не перекручивайте и не нагревайте.

- Немедленно свяжитесь с сервисным центром, в случае если имеются какие-либо неисправности шнура питания, в нем оголились жилы или он поврежден.

- Замените сетевую розетку, если в нее невозможно вставить вилку или вилка плохо закрепляется в розетке. Иначе могут возникнуть неисправности или произойти несчастные случаи или возгорания.

- Не прикасайтесь к проводам мокрыми руками.

- Запрещается использование розетки, в которую подключено несколько устройств. Перегрузка такой розетки может привести к пожару.

- Место подключения вилки шнура питания к сети 220 В должно оставаться легкодоступным.

- Перед работой с устройством необходимо полностью прочитать и понять все инструкции. Необходимо соблюдать все предупреждения и следовать всем инструкциям, приведенным в настоящем руководстве.

- Пожалуйста, используйте только рекомендованные производителем аксессуары.

Перед началом эксплуатации

Использование других аксессуаров может привести к неисправностям.

- Пожалуйста, проводите все настройки и регулировки только с помощью кнопок на передней и боковой панелях или на пульте дистанционного управления. Ни в коем случае не снимайте заднюю панель и не пытайтесь самостоятельно проводить техническое обслуживание устройства, так как существует опасность поражения электрическим током, а также возможно возникновение неисправностей.
- Не устанавливайте устройство на непрочные или неровные поверхности, тележки, стойки, треноги, кронштейны или столы. Устройство может упасть, в результате чего могут возникнуть неисправности или произойти несчастные случаи. Используйте только те приспособления, которые рекомендованы производителем или продавцом.
- Пожалуйста, устанавливайте устройство на горизонтальной поверхности в местах с хорошей вентиляцией. Не допускайте воздействия на устройство вибрации, прямого солнечного света, высокой температуры, а также попадания пыли и влаги.
- Не ставьте на устройство вазы, сосуды с жидкостью. Попадание жидкости внутрь аппарата может привести к пожару или поломке устройства.
- Не устанавливайте устройство в зоне магнитных волн. Это может привести к поломке устройства. В зоне электромагнитного излучения может наблюдаться искажение изображения.
- Не устанавливайте вблизи устройства источники открытого огня, например, свечи. В случае их падения устройство может быть повреждено или может произойти возгорание.
- Установка телевизора в замкнутое пространство при эксплуатации может сократить срок службы устройства; поэтому необходимо обеспечить минимальную дистанцию между LED-телевизором и

внутренними границами приспособления под аппарат для нормальной вентиляции (минимум по 10 см свободного пространства со всех сторон).

- Располагайте кабели позади устройства. Не закрепляйте их метизами, не перегибайте, не ремонтируйте и не нагревайте.
- При перемещении телевизора не нажимайте и не касайтесь панели. Не переносите телевизор в положении, при котором экран направлен вверх или вниз.
- Не перемещайте устройство при подключенном проводе питания или других подключенных проводах. Повреждение провода питания, подключенный провод или подключенные устройства могут стать причиной пожара, электрошока или поломки.
- Если устройство тяжелее 18 кг, его должны перемещать не менее 2 человек. При падении устройство может повредиться.
- Слишком сильное нажатие на панель может повредить устройство.
- При длительном использовании может немного повысится температура корпуса устройства. Это явление свидетельствует о теплоотдаче в нормальном рабочем режиме. Однако не позволяйте детям и людям с повышенной температурной чувствительностью касаться устройства.

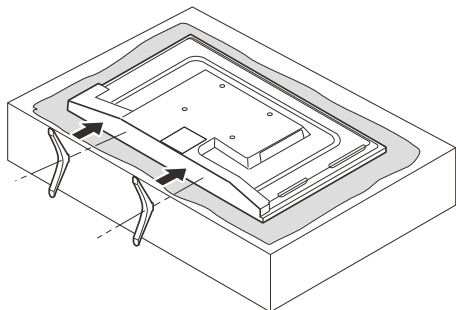
После транспортировки в холодную погоду (ниже 5° C) рекомендуется не включать телевизор в течение как минимум трех часов: за это время он нагреется до комнатной температуры, а весь конденсат испарится.

Все иллюстрации, приведенные в настоящем руководстве, являются схематическими изображениями, которые могут отличаться от реальных объектов.

Установка/Подключение

Установка

Установка на подставку



Выберите ровную плоскую горизонтальную поверхность, накройте ее мягкой тканью и разместите на ней корпус телевизора экраном вниз. Присоедините стойки к задней части корпуса телевизора таким образом, чтобы отверстия в стойках и в корпусе совпадали. Зафиксируйте стойки с помощью входящих в комплект винтов.

Крепление на стену

- Для крепления на стену на задней панели телевизора имеются 4 отверстия под винты. Расстояние между крепежными отверстиями составляет 400*400 мм. Для крепления следует использовать настенный кронштейн стандарта VESA (в комплект поставки не входит и приобретается отдельно). Производитель не несет ответственности за неправильно выполненный монтаж, повлекший повреждение телевизора.

ПРЕДУПРЕЖДЕНИЕ

Во избежание повреждений надежно закрепите аппарат на стене в соответствии с требованиями инструкции по установке.

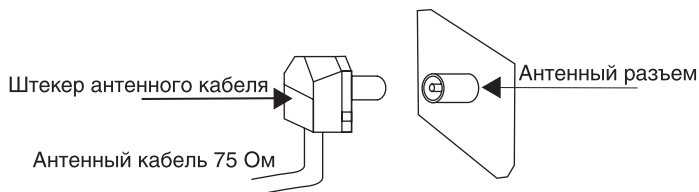
Средства для монтажа аппаратуры на стене или потолке должны быть достаточными для выполнения своей функции.

Рекомендуется только вертикальное расположение устройства.

ВНИМАНИЕ

До включения аппаратуры в электрическую сеть необходимо ознакомиться с мерами электрической и противопожарной безопасности, приведенными в разделе "Меры предосторожности" настоящего Руководства по эксплуатации.

Подключение



Подключение внешней антенны

Подсоедините антенну к соответствующему разъему. Используйте коаксиальный кабель 75 Ом при подключении внешней антенны. Разъем ANT 75Ω (S2) используется для подключения спутниковой антенны.

Прочие подключения

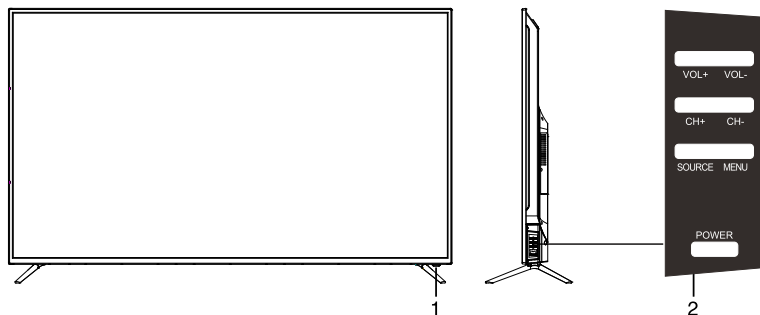
- Композитный видеовход AV in подсоединяется к композитному выходу другого видеоборудования с помощью аудиовидеокабеля mini AV (в комплект не входит).
- Компонентный видеовход служит для получения компонентного видеосигнала от внешнего источника с помощью miniYPbPr кабеля.
- Если источник видеосигнала имеет HDMI-выход, подключите его к HDMI-выходу телевизора, используя специальный HDMI-кабель (в комплект не входит).

- Цифровой выход предназначен для передачи многоканального звука на внешнее декодирующее устройство (например, в формате 5.1-канал). Для подсоединения используйте коаксиальный кабель (в комплект не входит).
- Разъем PCMCIA используется для подключения CI-модуля, приобретаемого у поставщика услуг цифрового ТВ.
- Подсоедините наушники (в комплект не входят) к разъему для наушников. При подсоединенных наушниках звук через динамики телевизора не воспроизводится.
- Ethernet-порт RJ45 предназначен для подключения телевизора к сети Интернет (используется для функции SMART TV). Кабель в комплект не входит.

Для подключения дополнительных периферийных устройств используйте только сертифицированные кабели и переходники. Все соединения производите только после отключения основного питания телевизора от сети.

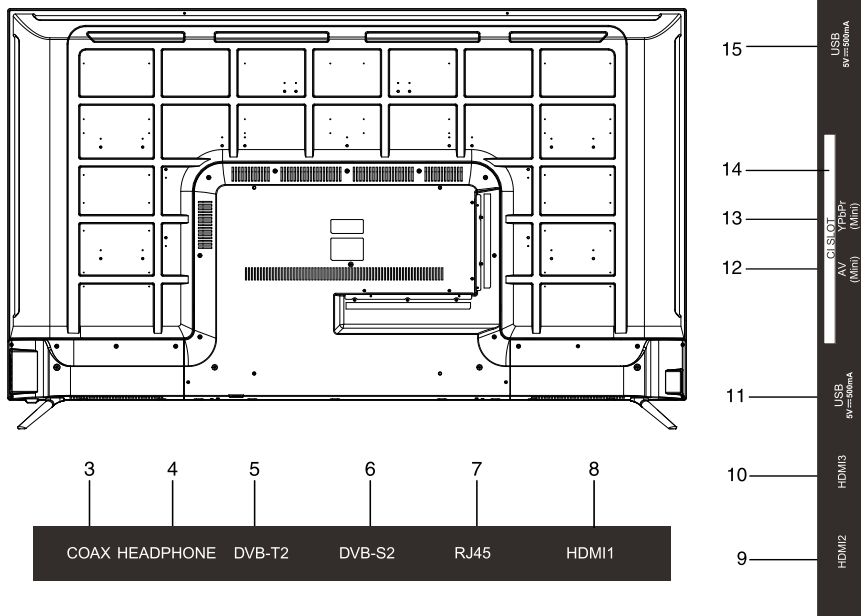
Управление устройством

Элементы управления

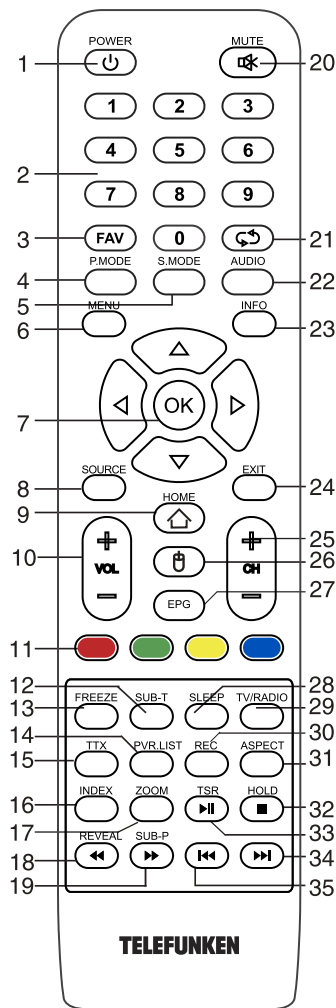


Элементы управления

- | | | |
|--|-------------------------------------|--|
| 1. ИК-датчик/индикатор питания | 3. Цифровой коаксиальный аудиовыход | 9. Вход HDMI2 |
| 2. Панель с кнопками: кнопки VOL+, VOL-, кнопки CH+, CH-, кнопка SOURCE, кнопка MENU, кнопка POWER | 4. Разъем для наушников | 10. Вход HDMI3 |
| | 5. Антенный вход | 11. USB-порт |
| | 6. Разъем для спутниковой антенны | 12. Композитный аудиовидео вход AV in (Mini) |
| | 7. Ethernet-порт RJ45 | 13. Вход Mini YPbPr (компонентный) |
| | 8. Вход HDMI1 | 14. Разъем CI |
| | | 15. USB-порт |



Пульт дистанционного управления

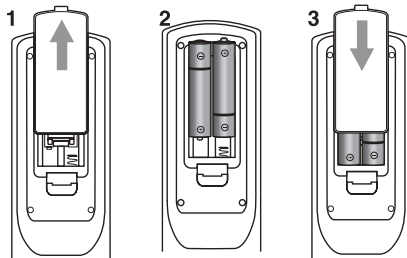


1. Кнопка **POWER** (⏻) button
2. Кнопки с цифрами
3. Кнопка **FAV**
4. Кнопка **P.MODE**
5. Кнопка **S.MODE**
6. Кнопка **MENU**
7. Кнопки курсора (**ВВЕРХ, ВНИЗ, ВЛЕВО, ВПРАВО**) /кнопка **OK**
8. Кнопка **SOURCE**
9. Кнопка **HOME**

10. Кнопки **VOL+/VOL-**
11. Цветные кнопки
12. Кнопка **SUB-T**
13. Кнопка **FREEZE**
14. Кнопка **PVR.LIST**
15. Кнопка **TTX**
16. Кнопка **INDEX**
17. Кнопка **ZOOM**
18. Кнопка **BACK** (◀) / **REVEAL**
19. Кнопка **FORWARD** (▶) / **SUB-P**
20. Кнопка **MUTE** (🔇)
21. Кнопка **RETURN** (↻)
22. Кнопка **AUDIO**
23. Кнопка **INFO**
24. Кнопка **EXIT**
25. Кнопки **CH+/CH-**
26. Кнопка **MOUSE**
27. Кнопка **EPG**
28. Кнопка **SLEEP**
29. Кнопка **TV/RADIO**
30. Кнопка **REC**
31. Кнопка **ASPECT**
32. Кнопка **STOP** (■) / **HOLD**
33. Кнопка **PLAY/PAUSE** (⏮) / **TSR**
34. Кнопка **NEXT** (⏭)
35. Кнопка **PREVIOUS** (⏪)

Установка батарей

1. Снимите крышку отсека для батарей на задней части ПДУ.
2. Поместите две батареи AAA/1.5V в отсек для батарей с правильным соблюдением полярности.
3. Установите крышку отсека на место.



Управление устройством

- Мощность сигнала, необходимую для приемного датчика, обеспечивается на расстоянии до 8 метров и в пределах 30 градусов влево и вправо.
 - Не используйте одновременно новые и использованные батареи или батареи разных типов.
 - Не подвергайте ПДУ воздействию ударов, жидкостей, не помещайте его в зонах повышенной влажности.

ВНИМАНИЕ!

Некорректная установка батарей может привести к взрыву. Заменяйте использованные батареи батареями такого же типа.

Общие операции

- Подключите вилку кабеля питания в разъем сети питания, при этом индикатор питания будет светиться – устройство находится в режиме ожидания. Для включения устройства используйте кнопку POWER на панели телевизора или на ПДУ; когда телевизор включен, индикатор питания не светится. Нажмите кнопку POWER ещё раз, чтобы установить устройство в режим ожидания, при этом индикатор питания должен загореться. Для полного отключения устройства от сети извлеките вилку шнура питания из розетки сети питания.

Для корректной работы устройства необходимо дождаться полной загрузки операционной системы. Не допускается выключать устройство до момента полной загрузки операционной системы. Для корректного завершения работы работающих программ и операционной системы запрещается отключать питание.

- Нажимайте кнопки VOL-/VOL+ на панели или на ПДУ для регулирования уровня громкости звука.
- Нажмите кнопку MUTE для отключения звука. Для включения звука нажмите эту кнопку повторно или регулируйте громкость.
- Нажимайте кнопку SLEEP для выбора периода времени, по истечении которого телевизор автоматически отключится.

- Нажмите кнопку EPG для запуска электронного телегида (EPG).
 - В режиме ТВ нажимайте кнопки CH+/CH- чтобы выбрать предыдущий или следующий канал. С помощью кнопок с цифрами можно непосредственно выбрать номер нужного канала.
 - Нажимайте кнопку INFO для отображения информации о текущем канале.
 - Нажмите REC для начала записи эфира в режиме PVR.
 - Нажмите кнопку ↺ на ПДУ для переключения между текущим и предыдущим просматриваемыми каналами.
 - Нажмите кнопку АСПЕКТ для выбора одного из доступных форматов изображения на экране. Форматы могут различаться в зависимости от текущего источника сигнала.
 - Нажмите кнопку INPUT, затем нажимайте кнопки курсора на ПДУ, чтобы выбрать один из доступных источников сигнала. Нажмите кнопку OK на ПДУ для подтверждения.

Операции с телетекстом (опция)

- Выберите режим TV. Затем с помощью кнопок CH-/CH+ выберите телеканал, подерживающий телетекст.
- Кнопки телетекста на ПДУ имеют следующие функции:

Кнопка TEXT: нажмите эту кнопку для входа в режим телетекста. Следуйте указаниями на экране для навигации в режиме телетекста. Нажмите кнопку еще раз для возврата к просмотру телеканала.

Красная/Зеленая/Желтая/Голубая кнопки: Используйте четыре цветовых кнопки для непосредственного перехода на страницу, имеющую цветовой код, которая отображается в нижней части страницы телетекста.

REVEAL: нажмите эту кнопку, чтобы отобразить или убрать скрытую информацию.


SUBPAGE: используется для перехода к подстранице Телетекста.

HOLD: нажмите для удержания текущей страницы и предотвращения перехода к следующей странице Телетекста.

INDEX: используется для перехода к заглавной странице Телетекста.

Экранное меню

1. Нажмите кнопку MENU, чтобы вызвать экранное меню настройки.
2. Нажимайте кнопки курсора ВПРАВО/ВЛЕВО для выбора нужной страницы меню.
3. Нажмите кнопку ОК, чтобы перейти к списку параметров.
4. Нажимайте кнопки курсора ВВЕРХ/ВНИЗ, чтобы выбрать параметр для настройки.
5. Нажимайте кнопки курсора ВЛЕВО/ВПРАВО, чтобы настроить выбранный параметр.
6. Нажмите кнопку MENU, чтобы вернуться к предыдущей странице меню. Нажмите кнопку EXIT на ПДУ, чтобы выйти из меню.

 Пункты меню, написанные серым шрифтом, не подлежат настройке. Изображения экранного меню, приводимые ниже, служат для наглядности и могут отличаться от изображений в Вашем телевизоре.

Канал

	Редактирование канала
	Автонастройка
КАНАЛ	Ручная настройка
	Nicam

• Внешний вид этого меню зависит от выбранного источника сигнала.

В руководстве приводится описание для ATV.

Для перехода к меню настроек телевизора нажмите ВНИЗ на ПДУ.

- **Редактирование канала:** список всех доступных каналов. Можно пропускать, удалять каналы и добавлять их в список избранных.
- **Автонастройка:** автоматический поиск и сохранение доступных каналов.
- **Ручная настройка:** ручной поиск доступных каналов.
- **Nicam:** меню выбора аудиодорожки для цифровых каналов.

ТВ опции - Изображение

	Режим изображения
	Яркость
	Контраст
ИЗОБРАЖЕНИЕ	Цвет
	Четкость
	Цветовая температура
	DNR
	Формат экрана

• **Режим изображения:** Мягкий, Динамический, Стандартный, Пользовательский. Нажимайте кнопку P.MODE, чтобы изменить режим изображения не заходя в меню. В Пользовательском режиме можно вручную менять следующее настройки:

Яркость: настройте яркость изображения.

Контраст: настройте интенсивность светлых и темных оттенков.

Цвет: настройте насыщенность цветов.

Четкость: отрегулируйте четкость.

• **Цветовая температура:** отрегулируйте температуру цвета.

Нормальная: цветовая схема по умолчанию.

Холодная: мягкая схема с оттенками синего.

Теплая: яркая схема с красными оттенками.

• **DNR:** отрегулируйте уровень подавления экранного шума или отключите эту функцию.

• **Формат экрана:** отрегулируйте соотношение сторон экрана или выберите автоматическое определение.

Управление устройством

ТВ опции - Звук

	Режим звука
	Низкие
	Высокие
ЗВУК	Баланс
	Окружение
	AVL
	Цифровой аудиовыход
	Аудио описание

- **Режим звука:** Стандарт/Кино/Музыка/Пользовательский. Нажимайте S.MODE, чтобы поменять режим не заходя в меню. Когда выбран режим Пользовательский, можно менять настройки низких и высоких частот.
- **Баланс:** настройка баланса между левым и правым динамиками для наилучшего звучания.
- **Окружение:** включить/отключить эффект объемного звучания.
- **AVL:** функция автоматической коррекции громкости. Громкость автоматически остается на прежнем уровне при переключении каналов. Это делается во избежание необходимости регулирования громкости для каждого канала отдельно, поскольку громкость звука на канале по умолчанию устанавливается вещательной компанией этого канала.
- **Цифровой аудиовыход:** Авто/PCM/Выкл. Настройка подачи цифрового звука высокого качества через коаксиальный кабель.
- **Аудио описание:** включение / отключение функции описания видео (тифлокомментирования) и настройка его громкости.

ТВ опции - Таймер

	OSD таймер
ТАЙМЕР	Таймер сна
	Авто отключение питания

- **OSD таймер:** выберите время показа элементов экранного меню.
- **Таймер сна:** выбор периода, по истечении которого телевизор отключится автоматически.
- **Авто отключение питания:** настройка времени автоматического отключения телевизора.

ТВ опции - Ограничения

	Блокировки
	Блокировка источника
ОГРАНИЧЕНИЯ	Блокировка канала
	Ограничение программ
	Изменение PIN-кода

- **Блокировки:** вкл./выкл. блокировку системы. Потребуется пароль.
- **Блокировка источника:** вкл./выкл. блокировку конкретного источника сигнала.
- **Блокировка канала:** контроль доступа к каналам и программам.
- **Ограничение программ:** настройка возрастных ограничений доступа к определенным программам.
- **Изменение PIN-кода:** изменить системный пароль. Пароль по умолчанию **0000**.

ТВ опции - Настройка


	Язык меню
	Телетекст язык
НАСТРОЙКА	Локация
	Источник питания по умолчанию
	Сброс ТВ

- **Язык меню и телетекста:** выберите язык меню и телетекста.
- **Локация:** укажите месторасположение телевизора, например Дом.
- **Сброс ТВ:** восстановить значения по-умолчанию.

ТВ опции - CEC

	Настройка HDMI CEC
	Устройство автоматического отключения питания
CEC	Автоматическое включение питания телевизора
	Список CEC устройств
	Усилитель поддержки ARC
	Установки динамиков

- **Настройка HDMI CEC:** включение/отключение и настройка функции HDMI Consumer Electronic Control - управление всеми подключенными по HDMI устройствами одним пультом (при условии поддержки CEC).
- **Автовкл./выкл.:** включение и отключение функций автоматического включения телевизора при включении HDMI-устройства и автоматического отключения HDMI-устройства при отключении телевизора, соответственно.
- **Список CEC устройств:** список подключенных устройств, которые поддерживают CEC.
- **Усилитель поддержки ARC:** при включении позволяет использовать системный аудиовыход с усилителя устройства.
- **Установки динамиков:** выберите нужный выходной динамик.


 Экранное меню Вашего телевизора может быть изменено без предварительного уведомления и, следовательно, отличаться от меню, представленного в настоящем Руководстве.

Операции с USB

Общая информация

- Поддержка USB: версия USB 2.0; файловые системы FAT16, FAT32, NTFS; максимальный объем накопителя 2 ТБ (NTFS). Корректная работа устройства гарантирована только при использовании лицензионных USB-накопителей известных производителей. Воспроизведение некоторых форматов аудио, видео и изображений может не поддерживаться.

- Данное устройство поддерживает видеофайлы с расширением ASF, AVI, MKV, MPG, с видеокодеками H263, MPEG-4, MPEGII, XVID и аудиокодеками MP3, DD(AC3).

 Приведенный выше список расширений и кодеков является только информативным и не является обязательством по чтению всех файлов с указанными расширениями и кодеками.

- Воспроизведение некоторых AVI-файлов может оказаться невозможным в зависимости от их конфигурации и параметров, а также условий записи. Видеофайлы с расширением AVI объемом более 2 ГБ могут воспроизводиться устройством не полностью.

 Согласно стандарту USB 1.1/2.0 использование USB-устройства с током потребления более 500 мА не рекомендуется без использования дополнительного источника питания. Подключение без дополнительного питания USB-носителей, потребляющих ток, который превышает данное значение, а также неисправных USB-носителей может вызвать механические или термические изменения элементов конструкции данного устройства, а также выход из строя внутренних элементов защиты USB-порта. Такие повреждения не являются гарантийным случаем.

Внимание: использование внешних USB-устройств, содержащих файлы с расширением BIN и PKG в корневой директории, может привести к сбоям в работе устройства или к повреждению программного обеспечения.



Воспроизведение файлов

- Вставьте USB-накопитель в USB-порт данного устройства.

- Для возврата на предыдущий уровень меню выберите «Возврат» и нажмите кнопку ОК на ПДУ.

- В меню содержимого нажимайте кнопки курсора, чтобы выбрать папку или файл, затем нажмите кнопку ОК, чтобы войти в выбранную папку. Тем же образом выберите файл, который хотите просмотреть или прослушать. Нажмите кнопку ОК на ПДУ для воспроизведения файла.

- Во время воспроизведения нажмите кнопку ОК; в нижней части экрана отобразится меню управления воспроизведением, в котором Вы можете выбирать операции с помощью кнопок курсора ВЛЕВО/ВПРАВО на ПДУ и подтвердить выполнение этой операции кнопкой ОК.

- Во время воспроизведения нажмите кнопку , чтобы установить воспроизведение на паузу или продолжить его. Нажмите кнопку  для остановки воспроизведения.

- При воспроизведении файлов с изображениями, видео- и аудиофайлов выберите опцию «Повтор» для выбора режима повторного воспроизведения.

- При воспроизведении аудиофайлов нажимайте кнопки ◀▶ для ускоренного воспроизведения назад или вперед. Для выбора предыдущего или следующего файла нажимайте кнопки ◀◀▶▶.

- Нажмите кнопку EXIT, чтобы остановить воспроизведение и вернуться на предыдущий уровень меню.

Электронный телегид (EPG)

Электронный телегид содержит информацию о времени эфира телевизионных передач. Доступ к телегиду осуществляется нажатием кнопки EPG в режиме цифрового ТВ. Слева находится список доступных каналов, в центре приведена информация о времени выхода в эфир передач на выбранном канале. Выберите канал кнопками ВВЕРХ/ВНИЗ и передачу кнопками ВЛЕВО/ВПРАВО. Пользуйтесь контекстным меню и цветными кнопками ПДУ для навигации.

Запись эфира (PVR)/Функция Timeshift

Вставьте USB-накопитель, система автоматически создаст на нем папку, в которой будут сохраняться файлы записи. Запись начнется после нажатия кнопки REC и завершится после заполнения памяти или нажатия кнопки ■. Следуйте указаниям экранного меню записи.

Timeshift (“Сдвиг по времени”) - функция, позволяющая ставить эфирные телепрограммы на паузу и продолжать просмотр с того же места. Нажмите кнопку T-SHIFT для активации функции «Сдвиг по времени» во время записи. Выполняйте команды, отображаемые в этом меню.

Интерфейс CI

(только в режиме DTV): Данная функция позволяет просматривать некоторые зашифрованные данные (эта услуга является платной). Вставьте CI-карту в слот PCMCIA в направлении, указанном стрелкой на CI-карте.

- Вы можете изменять вид меню и услуги CI; для этого необходимо обратиться к поставителю услуг.

- Нельзя вставлять и извлекать CI-карту из слота во время работы телевизора. Перед операциями с картой выключите телевизор. Не допускайте слишком частой загрузки и извлечения CI-карты из слота телевизора.

- Если в телевизоре отсутствуют видеоизображение и звук при подключенном CI+ CAM, свяжитесь с оператором клиентской службы наземного/кабельного/спутникового вещания.

SMART TV

Общая информация

- Телевизор поддерживает функцию SMART TV. Подробное описание функции изложено в отдельном листке, приложенном в комплект документации.

Технические характеристики

Основные характеристики	Процессор	A55*4/Mali470MP*3 Quad Core 1.1 GHz
	Операционная система	Android 9.0
	Оперативная память	1,5 Gb DDR3
	Встроенная память	8 Gb* (расширяется внешними USB носителями)
Подключения	Встроенный WiFi	802.11 b/g/n
	Ethernet	LAN RJ-45
	USB	USB 2.0

* Пользователю доступен меньший объем т.к. часть встроенной памяти занимает операционная система и установленные приложения.

Управление устройством

Руководство по устранению неисправностей

Ниже приводится таблица, в которой описаны простые меры, способные помочь Вам устранить большую часть проблем, могущих возникнуть при использовании данного устройства. Если нижеуказанные меры не помогли, обратитесь в сервисный центр или к ближайшему дилеру.

Неисправность	Причина	Решение
Изображение и звук отсутствуют, индикатор не горит	Шнур питания не подсоединен. Контрастность, яркость, резкость, цвет и громкость установлены на минимальное значение или телевизор находится в беззвучном режиме.	Подсоедините шнур питания. Установите нужное значение контрастности, яркости, резкости, цвета и громкости.
Изображение и звук низкого качества	Контрастность и цвет настроены неверно. Установлена неверная система цвета. Установлена неверная система звука.	Настройте контрастность и цвет. Установите правильную систему звука.
Изображение «заснеженное»	Сигнал низкого качества.	Используйте исправный и качественный кабель.
Изображение на экране делится на две части	В качестве источника сигнала выбран режим компонентного видео или AV	Выберите правильный режим, соответствующий подключенному кабелю (AV или компонентный).
Синий фон	Отсутствует видео сигнал или кабель плохо подсоединен/не подсоединен.	Подсоедините кабель должным образом.
Звук отсутствует	Отсутствует аудио сигнал или кабель плохо подсоединен/не подсоединен.	Подсоедините кабель должным образом. Установите правильную сигнальную систему.
ПДУ не работает	Батарейки установлены неправильно или устарели.	Убедитесь, что полярность соблюдена. Замените батарейки на новые.

Источники помех

В Вашем телевизоре приняты все самые современные меры для устранения возможных помех, тем не менее, изображение может искажаться под воздействием местных электромагнитных излучений. Лучше всего в подобных случаях попытаться перенести телевизор в другое место и подвести к нему лучшую антенну.

- **РАДИОЧАСТОТНЫЕ ПОМЕХИ**

Появление на изображении ряби может свидетельствовать о наличии вблизи телевизора коротковолнового радиопередатчика или радиоприемника.

- **МЕДИЦИНСКОЕ ОБОРУДОВАНИЕ**

Появление на экране «елочки» или частичное исчезновение изображения может быть связано с работой медицинского оборудования в близлежащей больнице или клинике.

- **«СНЕГ» НА ЭКРАНЕ**

В зоне приема слабых сигналов отдаленных телевизионных станций изображение становится нестабильным, а на экране появляются мерцающие белые пятна, так называемый эффект «падающего снега». В этом случае помогает более точная настройка антенны и применение антенного усилителя.

- **ФАНТОМНЫЕ ИЗОБРАЖЕНИЯ**

Появление на экране нескольких контуров изображения объясняется тем, что телевизионный сигнал отражается от окружающих построек, холмов, самолетов и других объектов. Свести такой эффект к минимуму можно, изменив направление антенны.

- **АВТОМОБИЛЬНЫЕ ДВИГАТЕЛИ**

Работающие неподалеку автомобильные двигатели и электромоторы могут создавать помехи в изображении в виде небольших полосок или дрожания изображения на экране.

Комплект поставки

1. Телевизор	1 шт
2. Пульт дистанционного управления	1 шт
3. Батарея	2 шт
4. Подставка	2 шт
5. Винт	6 шт
6. Кабель Mini YPbPr	1 шт
7. Руководство по эксплуатации	1 шт


Общая информация

Технические характеристики

Размер (диагональ)	65" (165 см)
Разрешение	3840 x 2160
Формат экрана	16:9
Угол обзора: вертикальный, горизонтальный	178° / 178°
Время отклика	8 мс
Система цветности	PAL, SECAM
Система звука	V/G, DK, I, L
Стереозвук NICAM	2 x 8 Вт
Аудиовидеовход AV in (Mini)	+
Компонентный видеовход YPbPr (Mini)	+
HDMI вход	+
Выход на наушники	+
Коаксиальный выход	+
Прием сигнала DVB-T/DVB-T2/DVB-C/DVBS/S2	+
Интерфейс PCMCIA (CI, CI+)	+
Экранное меню на русском и английском языках	+
Прогрессивная развертка	+
Цифровой гребенчатый фильтр	3D
Таймер «сна»	+
Количество каналов	100 аналоговых/1000 цифровых
Воспроизведение аудио-, фото- и видеофайлов через USB	+
Телетекст	899 страниц
Класс защиты от поражения электрическим током	II
Диапазон номинальных напряжений питания	~100–240 В; 50 Гц;
Размеры устройства: с подставкой	1460 x 904 x 285 мм
без подставки	1460 x 843 x 84 мм
Масса нетто	17,8 кг

	Условия эксплуатации	Условия хранения
Температура воздуха	от 5 до 35° С	от 0 до 40° С
Относительная влажность воздуха	от 45% до 75%	от 35% до 80%
Атмосферное давление	750 мм. рт. ст ± 10%	750 мм. рт. ст ± 15%

Хранить в упакованном виде

 ЖК-панель является высокотехнологичным устройством, содержащим множество тонкопленочных транзисторов, которые дают четкие детали изображения. В некоторых случаях могут появляться неактивные точки на экране, которые имеют постоянный цвет (синий, зеленый, красный, черный или белый). Это не является дефектом и не влияет на характеристики Вашего телевизора.

Технические характеристики могут быть изменены заводом-изготовителем без предварительного уведомления. Указанные геометрические размеры и масса имеют приблизительные значения.

Хранение и транспортировка

Упакованные изделия допускается транспортировать всеми видами транспорта в условиях 5 ГОСТ 15150 при температуре не ниже минус 10 °С и при защите их от прямого воздействия атмосферных осадков и механических повреждений. Изделия следует хранить в условиях 1 по ГОСТ 15150 при отсутствии в воздухе кислотных, щелочных и других агрессивных примесей. При транспортировании и хранении упакованные изделия должны быть уложены в штабели, контейнеры или стеллажи. Количество рядов в штабелях должно быть установлено в зависимости от габаритных размеров и массы упакованных изделий и указано в ТУ на изделие конкретной модели.

Данное устройство никаких ограничений для работы внутри жилых, коммерческих и производственных помещений не имеет.

Безопасная утилизация

Ваше устройство спроектировано и изготовлено из высококачественных материалов и компонентов, которые можно утилизировать и использовать повторно. Если товар имеет символ с зачеркнутым мусорным ящиком на колесах, это означает, что товар соответствует Европейской директиве 2002/96/ЕС. Ознакомьтесь с местной системой раздельного сбора электрических и электронных товаров. Соблюдайте местные правила. Утилизируйте старые устройства отдельно от бытовых отходов. Правильная утилизация вашего товара позволит предотвратить возможные отрицательные последствия для окружающей среды и человеческого здоровья.



Информация о наименовании и местонахождении изготовителя (уполномоченного изготовителем лица), телефон для связи с ним, а также месяц и год изготовления технического средства указаны в гарантийном талоне и информации для потребителя со списком сервисных центров.



Под контролем ТЕХНО ЭЛЕКТРИК ЛИМИТЕД
Licensed by TELEFUNKEN Licenses GmbH
Сделано в России

TF-LED65S02T2SU_BMI-7112_IM_01

Уважаемый покупатель!

Благодарим Вас за покупку продукции торговой марки TELEFUNKEN и доверие к нашей компании. TELEFUNKEN гарантирует высокое качество и надежную работу своей продукции при условии соблюдения технических требований, описанных в руководстве по эксплуатации. Руководство на русском языке прилагается.

Срок службы изделия с товарным знаком TELEFUNKEN, при эксплуатации продукции в рамках бытовых нужд и соблюдении правил пользования, приведенных в руководстве по эксплуатации, составляет 5 (пять) лет со дня передачи изделия потребителю. Срок службы установлен в соответствии с действующим законодательством о защите прав потребителей. Изготовитель обращает внимание потребителей, что при соблюдении данных условий срок службы изделия может значительно превысить указанный изготовителем срок. Гарантия на аксессуары составляет 2 недели с момента покупки, далее гарантия действует только на устройство.

Продукция сертифицирована на соответствие нормативным документам РФ (ГОСТ, СниП, Нормы и т.д.)

Адреса авторизованных сервисных центров

Город	Наименование СЦ	Адрес	Телефон
Дзержинск	Авис	Дзержинск б.Победы д.17	8313 25-82-83,25-40-66
Орск	Айс-сервис	462421, Оренбургская область, г Орск, ул Батумская, д 25	(3537) 338443
Иркутск	Альтернатива	664075, г. Иркутск, ул. Байкальская, д. 236Б/8	8(3952)925955
Киров	Альфа-С	610001, г.Киров, Октябрьский пр-т, 118а	(8332) 54-20-64, 54-69-56
Нальчик	Альфа-Сервис	360051, г. Нальчик, пр. Ленина 24	(8662)420430, (8662)420454
Новороссийск	Аргон-Сервис	53915 Новороссийск ул.Серова 14	(8617)631115,630395
Орел	АРС	302030, г. Орел, ул. Революции, д. 1	(4862)551506
Белгород	Бель-Сервис	308015 г.Белгород, ул.Сумская,22	(4722) 255-777
Воронеж	Бест-Сервис	Воронеж, Ленинский проспект 119а, корп. 2	7(473)262 27 89, +7(473)262 26 60
Северодвинск	Варенбуд В.И. ИП	164501. Архангельская обл., г. Северодвинск, ул. Бойчука, д. 3, оф. 106	(8184) 58-72-21
Казань	Витязь СЦ	420044, Казань, Пр. Ямашева, д. 38 оф. 108а	(843) 248-71-17, 259-48-47
Липецк	Владон АСЦ	398032, г Липецк, ул Космонавтов д 66	4742-370636-104 (108) , 88001000448
Нижний Новгород	Галактика НН	603009, г.Н.Новгород, ул.Невская,23	8(831) 243-06-06, 243-06-26
Санкт-Петербург	Гард-Техно	194100,Санкт-Петербург, ул.Харченко,д.4	(812)295-31-96
Новокузнецк	Гранд	654080,г.Новокузнецк, пр-т Пионерский, 25	8 923-465-5454, 8(3843) 45-69-91
Орск	Гранд-сервис	462407, Оренбургская обл., г.Орск , ул.Грозненская , д. 11А	8 3537 20 60 70; 8800 555 34 94
Архангельск	Двина	163000, г. Архангельск, Садовая 21	8182204030
Барнаул	Диод ООО	656043,г.Барнаул,ул.Пролетарская 113	3852-639402
Калининград	Евросвязь Сервис	236022, г. Калининград, ул. Георгия Димитрова, 51	(4012) 934-544
Уфа	Импорт-сервис	450078, г.Уфа, проспект Салавата Юлаева , д.59	(347)228-17-10
Москва	Квант-9 ООО	Москва б-р Маршала Рокоссовского д.3	8(499)168-05-19 8(499)168-47-15
Пермь	Кволити	614113, г.Пермь, ул. Маршала Рыбалко, д.84а.	(342) 2506-506, (342) 282-73-49
Воронеж	Компьютерная клиника	394088,г.Воронеж,ул.Владимира Невского,д.13,корп.1	+7(473)2647272
Омск	Компьютерная клиника № 551	644011, г. Омск, ул. Енисейская, д.3	(3812)76-40-83
Красноярск	КрасАлСервис	660125, Красноярск, пер.Светлогорский, 2	8-391-277-29-81
Краснодар	Краснодар-Техсервис Плюс	г. Краснодар ул. Новороссийская д. 90	8903-411-74-35 / 7861-274-45-24
Тула	Крылов Игорь Юрьевич ИП	300000, г.Тула, Н.Руднева д.28	8(4872)355-399
Тамбов	Лавринов ИП	392014, г. Тамбов, ул. Косинки, д.67 кор. А	(4752) 73-94-01
Осинники	Лидер	652811, Кемеровская обл., г. Осинники, ул. Победы, 23	+7(951) 164-0606 +7(38471) 4-21-27
Томск	Макс-Сервис	634041,г.Томск, ул. Киевская, д.101	(3822)432758,(3822)433589
Вологда	Мастер TV	160002, г. Вологда, ул. Щетинина, д. 6	8-911-048-07-72
Ульяновск	Мастер Сервис ООО	г Ульяновск Ул Инзенская д 41	8422364335 ,8422364331
Тольятти	Мастер-Класс	445054,г.Тольятти,ул.Карбышева,д.12	8(8482)260595, 8(8482)480777, 8(8482)515792
Владимир	Мастер-Сервис ООО	600020, г. Владимир, улица Большая Нижегородская, 23, помещение 1	8(4922)47-46-40; 47-46-41; 33-10-79; 42-02-09
Новосибирск	Маяк	630003, г. Новосибирск, ул. Владимирская, 2 А	73833495670
Курск	Маяк+	г. Курск, ул. Студенческая 36-а	(4712) 50-85-90
Йошкар-Ола	Мидас СЦ	424006,РМЭ,г.Йошкар-Ола,ул.Советская,173	(8362)457368,417743
Кинешма	Мир Техники	155800 г.Кинешма ул.Советская д.8а	8(49331)56985
Екатеринбург	Мистер-сервис	620109, г.Екатеринбург,ул.Ключевская, д.18	8 (343) 290-13-94
Симферополь	НК-Центр	295053, а/я 2872, г. Симферополь, Республика Крым, ул. Ладыгина, 21	7(978)0662401
Хабаровск	НООС ПК	680042, г.Хабаровск, ул. Тихоокеанская, д. 165	8(4212) 72-43-32
Владивосток	Нотак	690001, г. Владивосток., ул. Светланская, д. 108А (есть доп.примки в Владивостоке)	8(423) 2-695-695

Омск	HT-Сервис	644024, г.Омск, ул. Декабристов, 45	(3812)55-99-96
Смоленск	Олимпия	214000, г. Смоленск, ул. Тенишевой, д. 19	(4812) 403-600
Ростов-на-Дону	Оптима-Сервис	344113, г.Ростов-на-Дону, ул.Космонавтов, 43	8(863)230-31-31
Воронеж	Орбита Сервис ОАО "ВТЦ	394030, г. Воронеж ул. Донбасская д.1	4 732 026 670
Великий Новгород	Орбита СЦ	173025, г. Великий Новгород, ул. Кочетова, д. 23а	8 (8162) 611 200, 946 952
Пенза	Орбита-Сервис	440061, г. Пенза, ул. Мирская 17	8(8412)422726, 8(8412)940445
Пенза	Партнер-Сервис	Пенза, ул. Советская д.2	(8412)564507
Краснодар	Плаза	350001 г. Краснодар ул. Шевченко 152	8-928-407-99-94 / 8-861-239-77-61
Ульяновск	Планета-Сервис	432017, г. Ульяновск, ул. Кирова, д. 59	(960)3721961
Пятигорск	Полисервис	357551, Пятигорск, 1-я Набережная 32, корп.4	(8793) 33-17-29, 39-48-40
Тюмень	Пульсар	625023 г.Тюмень, ул. Республики д. 169/5	(3452) 20-82-65
Ижевск	Радуга	для клиентов: 426076, г.Ижевск, ул. Пушкинская, д.136А, для отправок почтой России: 426076, г.Ижевск, ул. Пушкинская, д.136А; курьером: 426039, г.Ижевск, ул. Воткинское шоссе, д.302	(3412)655-644
Дзержинск	Радуга-Дзержинск	г. Дзержинск, Нижегородской обл., ул. Чапаева 69/2	8(831)3281146 8(831)3218630 8(831)3280666
Нижний Новгород	Радуга-Н.Новгород	г. Нижний Новгород, ул. Комсомольская, 17/1	8(831)2939620 8(831)2566818
Челябинск	Рембыттехника	454008, г.Челябинск,ул.Производственная 86	3512393939, 88003335556
Барнаул	Ремикс	656002, Барнаул, пр-т. Комсомольский, д. 111	(3852) 240603, 240335
Псков	Ремонт и Сервис ООО	180016, г.Псков, г.Псков, ул.Киселева, д.16, 1 этаж.	8-953-243-66-99
Ставрополь	Ремонт -сервис	Ставрополь, ул. Пирогова, д.37, офис11.	(8652) 55-17-48, +79187858429
Магнитогорск	РемТехСервис	455049, г.Магнитогорск, ул.Доменщиков д.5а	8(3519)43-80-15
Москва	Рубин ООО Сервисный центр	125121 г.Москва, ул.Адмирала Макарова, д.2, стр.9	(925)1462423, (916)8887281
Тюмень	СВ-Сервис	625006 г. Тюмень, ул. Софьи Ковалевской 11/7	(916)8887281
Оренбург	Сервисбыттехника	460044 г. Оренбург, ул. Конституции СССР, д. 4	3452495005
Ростов-на-Дону	Сервис-Ростов ООО	344019, г.Ростов-на-Дону, пр.Шолохова,д.7	(863) 299-0050
Брянск	СервисТел	241007, г. Брянск, ул. Дуки д. 75, пом. IV	(4832)40-50-50
Новосибирск	Сиб-мастер	630032, Новосибирск, Горский мкрн., 60	8(962)924-1498, 8(913)382-0950
Тамбов	Сиганков ИП	РФ, 392000, г.Тамбова, ул.Н.Вирты, д.2А	(4752)-451615/537211
Абакан	Слайдер	Республика Хакасия, г. Абакан, ул. Вяткина 63	+7(3902)32-63-32
Волгоград	СМТел	400066 Волгоград, Проспект Ленина, 15	8442 600104 89627600104; 890938000025
Самара	Спец-мастер	443020 г.Самара ул.Ленинградская 100/Ленинская 56	9903751, 2409817
Чебоксары	Телерадиосервис	428003 г.Чебоксары ул.Гагарина д.1 кор.1	8352623149
Иркутск	Телетон	664081, г.Иркутск, ул. Пискунова, 156 цокольный этаж(вход с внешней стороны здания)	(3952) 42-66-27, 53-41-66; +79025784429
Саранск	Тест-Сервис	430005, г.Саранск, ул.Пролетарская, 38	8 (834-2) 30-77-55
Каменск-Уральский	ТехноцентрСервис	623406, г. Каменск-Уральский Свердловской обл., ул. Исетская 33б	3439-399520
Екатеринбург	Техподдержка	620137, г. Екатеринбург, Июльская,53	7(343)2706075
Сыктывкар	ТехСервис	167004 Республика Коми, г. Сыктывкар, ул. Гаражная, 25	(8212)291220
Улан-Уде	Тех-Сервис	670033 г.Улан-Уде, ул.Жердева д.138	8(3012)409646 8(3012)409645
Саратов	Транссервис-Саратов	410008 г. Саратов ул. Б. Садовая д. 95	(8452)52-84-58, 52-84-72, 52-84-73
Набережные Челны	ТриО	423815 Набережные Челны проспект Вахитова д.20	88552-35-90-02, 35-90-42
Иваново	ТРСервис	153012, г. Иваново, ул. Пролетарская, д. 44А	+7 (4932) 30 06 05
Ярославль	ФастЛoad ТСЦ	150057 г.Ярославль ул.Калинина 11	8(4852)93-40-60, +7(902)333-40-60
Новосибирск	Фотосервис	630015, г.Новосибирск, ул. Королёва, 40, корп.40	8(383)383-09-73
Астрахань	Хайтек-Сервисный центр	414024, г.Астрахань, ул. Ташкентская, 13Б	(8512) 238-310
Курск	Экран-сервис	305001, г. Курск, ул. Добролюбова, д.17	4712-54-74-24, 4712-54-74-23, 4712-54-74-25
Старый Оскол	Экспресс-Сервис	309511, Белгородская обл.г.Старый Оскол,мкр.Олимпийский д.7	84725424100
Рязань	Элекс	Большая 56, склады Элекс	8(4912)50-40-40
Красноярск	Электроэлектрон АСЦ	660020,Красноярск,ул.Спандарина 7	8(391) 293-54-33, 89535934033
Челябинск	Электро-Н ООО	г.Челябинск, пр. Победы,д.302	83512110084
Мурманск	Электроника Сервис	183032 г.Мурманск, ул. Гвардейская, д.3	(8152) 255-263, (8152) 255-262
Дмитровград	Элком сервис	433505, Ульяновская обл., г. Дмитровград, ул. Октябрьская, д. 63	8(84235) 2-86-59, 9-14-64
Казань	Элнет	420034, г. Казань, ул. Васильченко, д.1, корп.153, оф.242	(843) 207-12-13
Тверь	Юмэкс	170036, г. Тверь, ул. Ромтистрова, д.35, этаж1, пом. 026	(4822)34-13-18, (4822)34-13-22

Данная информация может быть изменена.

Более точные сведения о сервисных центрах в Вашем регионе доступны на сайте

www.telefunken-electronics.ru

В случае возникновения проблем с обращением в Ваш региональный сервисный центр просим направить Ваши замечания, заполнив соответствующую форму в разделе «Обратная связь» на сайте компании.

Дизайн и технические характеристики могут быть изменены без предварительного уведомления.



Авторизованные
сервисные центры



TELEFUNKEN

УСЛОВИЯ ГАРАНТИИ:

1. Гарантийный срок 12 (двенадцать) месяцев со дня передачи изделия Потребителю.
 2. Гарантийный ремонт производится в Авторизованных Сервисных Центрах.
 3. Условия гарантии не предусматривают периодическое техническое обслуживание, установку и настройку изделия на Дому у владельца.
 4. Потребитель имеет право предъявить изготовителю требования, предусмотренные законом РФ «О защите прав потребителей» в течение гарантийного срока.
 5. Потребитель обязан соблюдать правила безопасной эксплуатации и хранения изделия. Гарантия не сохраняется в случае: нарушения правил эксплуатации, механических повреждений, нарушений гарантийной пломбы, неправильного подключения изделия, попадания посторонних предметов внутрь.
 7. Гарантийные обязательства производителя не распространяются на:
 - сменные элементы питания (батарейки, аккумуляторы), дополнительные аксессуары, входящие в комплект поставки и подтвержденные естественному износу в процессе эксплуатации;
 - нарушения в работе изделия, вызванные сторонними приложениями (мелодии, графические, видео и другие файлы, Java и подобные им программы);
 - повреждения (недостатки), вызванные воздействием компьютерных вирусов и аналогичных им программ, установкой, сменой или удалением паролей (кодов) изделия, модификацией и/или переустановкой предустановленного ПО изделия.
- условия эксплуатации изделия не для бытовых нужд и/или круглосуточного использования.

Адреса авторизованных сервисных центров приведены в Информации для потребителя, на сайте www.telefunken-electronics.ru и на QR-коде (верхний левый угол).

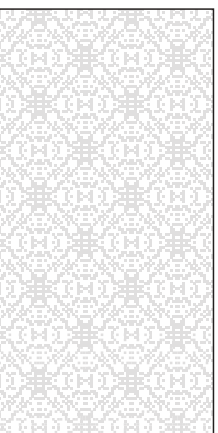
ГАРАНТИЙНЫЙ ТАЛОН

Срок гарантии – 12 месяцев



TELEFUNKEN

Дата производства
Серийный номер



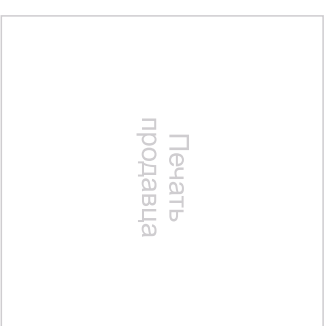
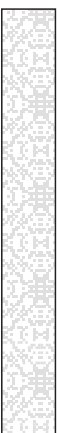
Модель



Дата продажи



Подпись продавца



С условиями гарантийного обслуживания согласен, претензий по комплектности, внешнему виду и работоспособности не имею.

Подпись покупателя

Сведения о ремонте

№	Дата приема	Дата выдачи	Отметка СЦ	Подпись заказчика
1				
2				
3				