

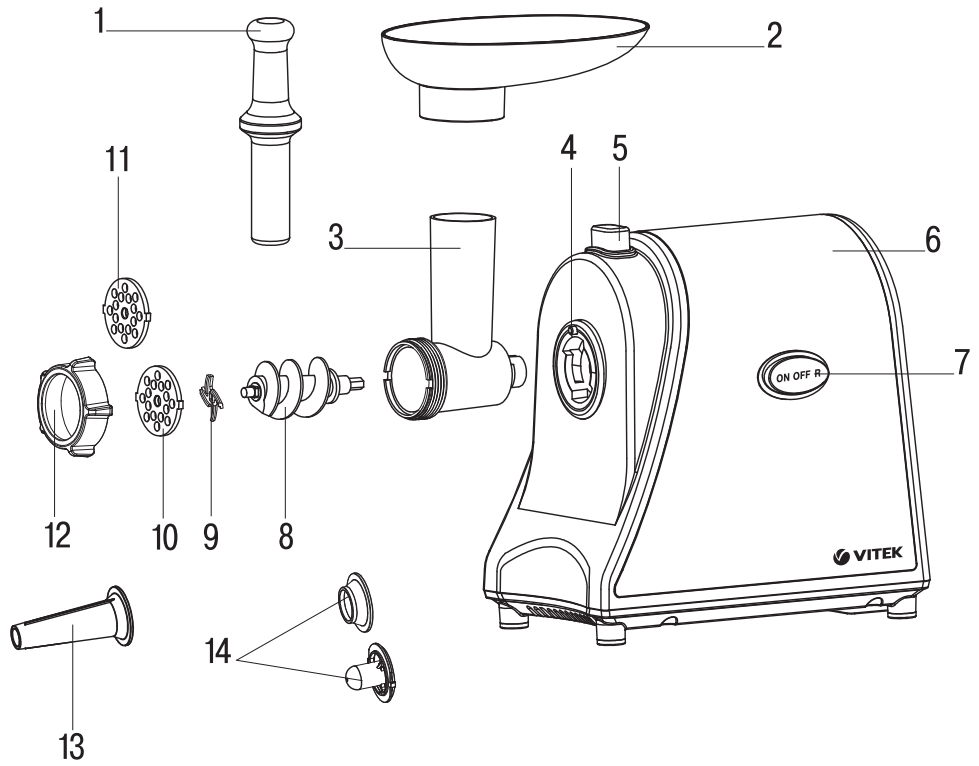
**VT-3636**

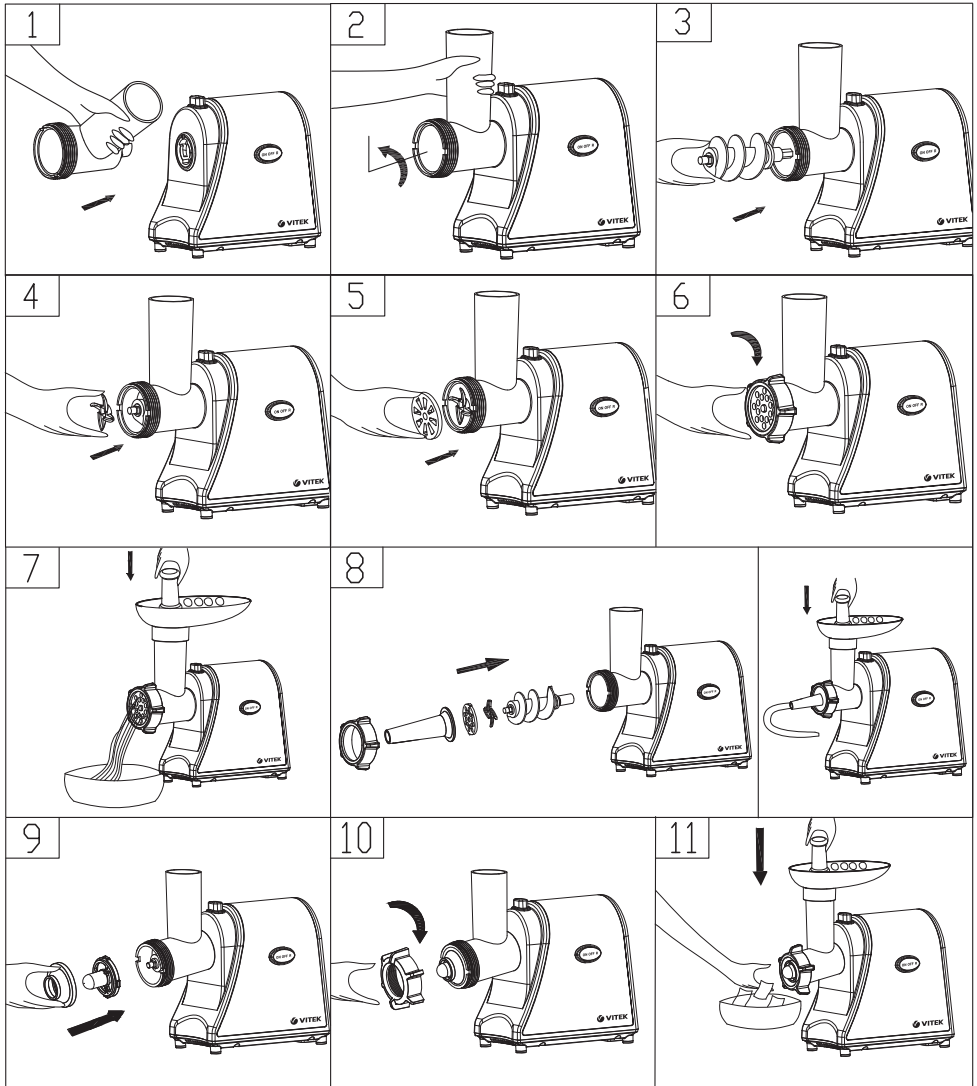
Meat grinder

Мясорубка

# Инструкция по эксплуатации

<b>GB</b> Manual instruction	<b>4</b>
<b>RUS</b> Инструкция по эксплуатации	<b>8</b>
<b>KZ</b> Пайдалану нұсқасы	<b>13</b>
<b>UA</b> Інструкція з експлуатації	<b>18</b>
<b>KG</b> Пайдалануу боюнча нускама	<b>23</b>





# ENGLISH

## MEAT GRINDER VT-3636

The meat grinder is intended for processing products and making homemade semi-finished products.

### DESCRIPTION

1. Pusher
2. Food tray
3. Meat grinder head body
4. Meat grinder head installation place
5. Meat grinder head lock button
6. Meat grinder body
7. Operation mode switch (ON/OFF/R)
8. Screw
9. Crossed blade
10. Fine cutting plate
11. Coarse cutting plate
12. Meat grinder head nut
13. Насадка для набивки колбасок
14. Насадка для кеббе

### SAFETY MEASURES

Read this instruction manual carefully before using the unit and keep it for the whole unit operation period. Mishandling of the unit may lead to its breakage and cause harm to the user or damage to his/her property.

To reduce the risk of fire, to prevent electric shock and to avoid other injuries, it is necessary to observe the following safety measures when using the electric meat grinder:

- Before switching the unit on for the first time, make sure that the voltage in your mains corresponds to the operating voltage of the unit.
- Use only the accessories supplied with the unit.
- To avoid electric shock, NEVER IMMERSE the unit, the power cord and the power plug into water or any other liquids.
- Use a slightly damp cloth to clean the meat grinder body and then wipe the unit body dry.
- Never leave the operating meat grinder unattended.
- Always switch the meat grinder off and unplug it before assembling, disassembling and cleaning.
- Place the unit on a flat steady surface away from heat sources, open flame, moisture and direct sunlight.
- Do not set the unit on a heated surface or next to it (for instance, near a gas or electric stove, near a heated oven or a cooking surface).
- Handle the power cord with care, prevent it from multiple twisting and straighten the power cord periodically.
- Do not use the power cord for carrying the meat grinder.
- Do not let the power cord hang from the edge of a table, and make sure that the cord does not touch sharp furniture edges and hot surfaces.
- When unplugging the unit from the mains, hold the power plug but not the cord.
- Do not connect or disconnect the power cord from the mains and do not touch it with wet hands, this may cause electric shock.
- This unit is not intended for usage by children.
- Do not allow children to use the unit as a toy and do not allow them to touch the unit body and the power cord during the operation.
- During operation and breaks between operation cycles, the unit should be placed out of reach of children.
- The unit is not intended for usage by physically or mentally disabled persons (including children) or by persons lacking experience or knowledge if they are not under supervision of a person who is responsible for their safety or if they are not instructed by this person on the usage of the unit.
- For children safety reasons do not leave polyethylene bags, used as packaging, unattended.

**Attention!** Do not let children play with polyethylene bags or packaging film. Danger of suffocation!

- If the power cord is damaged, it should be replaced by the manufacturer, a maintenance service or similar qualified personnel to avoid danger.
- Do not attempt to repair the unit. Do not disassemble the unit, if any malfunction is detected or after it was dropped, unplug the unit and apply to any authorized service center from the contact address list given in the warranty certificate and on the website [www.vitek.ru](http://www.vitek.ru).
- To avoid damages, transport the unit in the original package only.
- Keep the unit out of reach of children and disabled persons.

**THE UNIT IS INTENDED FOR HOUSEHOLD USE ONLY, ITS COMMERCIAL USAGE AND USAGE IN PRODUCTION AREAS AND WORK SPACES IS PROHIBITED.**

### ATTENTION!

- Before grinding meat, make sure that all bones and excess fat are removed.
- Do not push the products with any foreign objects or your fingers, use only the pusher (1) supplied with the unit.
- Never immerse the meat grinder body, the power plug or the power cord into water or other liquids.

- Do not try to process food with hard fiber (for example, ginger or horseradish) in the meat grinder.
- To avoid obstructions, do not apply excessive force while pushing meat with the pusher (1).
- If any hard piece of food stops the feeder screw or cutting blade rotation, immediately switch the unit off and use the screw reverse mode «R» (reverse) to remove the obstruction before starting again.
- Make sure that the ventilation openings on the unit body are not blocked.
- Insert the power plug into the mains socket.
- Place a suitable bowl under the meat grinder head (3).
- Make sure that the meat is fully defrosted, remove excess fat and bones, and cut the meat into cubes or strips fitting the opening of the food tray (2).
- Switch the unit on by setting the switch (7) to the position «ON».

## AUTO SWITCH-OFF FUNCTION

- The meat grinder is equipped with an auto switch-off function in case of motor overheating.
- In case of overheating of the motor, the automatic thermal switch will trip, switching off the meat grinder.
- In this case immediately remove the power plug from the mains socket.
- Let the meat grinder cool down for approximately 50-60 minutes before switching it on again (more time may be required for the unit to cool down if the room temperature is high).
- Plug the meat grinder into the mains, switch it on, if the meat grinder would not switch on, this may mean that it is damaged in some other way. In this case apply to any authorized service center at the contact address list given in the warranty certificate and on the website [www.vitek.ru](http://www.vitek.ru) for repairing the meat grinder.
- Slowly feed the meat pieces into the mouth of the grinder head (3) using the pusher (1). When operating, use the pusher (1) supplied with the unit.
- Do not use any other objects to push meat; do not push the meat with your hands.
- Do not apply excessive effort while pushing the meat or other products.
- Obstructions can appear during meat grinding, use the screw reverse mode to remove the obstruction. To select the reverse mode, switch the meat grinder off, setting the switch (7) to the «OFF» position, then press and hold down the switch (7) in the position «R».
- Do not run the unit for more than 10 minutes continuously.
- After 10 minutes of continuous use, switch the unit off and allow it to cool down during 15-20 minutes before further operation.
- After you finish operating, switch the meat grinder off, setting the switch (7) to the position «OFF» and unplug the unit; after that you can disassemble it.

## BEFORE USING THE MEAT GRINDER

**After unit transportation or storage at low temperature keep it for at least three hours at room temperature before switching on.**

- Unpack the meat grinder and remove all package materials, wipe the unit body with a damp cloth and then wipe it dry.
- Wash all the removable parts (1, 2, 3, 8, 9, 10, 11, 12, 13, 14) with warm water and neutral detergent, rinse and dry them thoroughly before assembling.
- Before using the unit for the first time, make sure that the voltage in your mains corresponds to unit operating voltage.

## BASIC PRINCIPLES OF USING THE MEAT GRINDER

- The meat grinder is intended to mince boneless meat for household use only.
- Assemble the unit and place it on a flat dry surface.

## MEAT PROCESSING

- Install the meat grinder head (3) to the setting place (4), and turn the meat grinder head (3) counterclockwise until it is fixed (pic. 1, 2).
- Install the screw (8) into the meat grinder head (3) body (pic. 3).
- Install the crossed blade (9) (pic. 4).
- Select one of the plates (10 or 11) and set it over the blade, matching the ledges on the grate with the grooves on the meat grinder head body (3), tighten the nut (12) (pic. 5, 6).

### Attention!

- **Face the blade cutting side to the grate. If the blade is installed improperly, it will not grind the products.**
- **The coarse cutting plate (11) is for processing raw meat, vegetables, dried fruit, cheese, fish, etc.**

# ENGLISH

- **The fine cutting plate (10) is suited for processing both raw and cooked meat, fish etc.**
- Place the food tray (2) on the mouth of the meat grinder head (3).
- Switch the meat grinder on by setting the switch (7) to the position «ON».
- During the operation use only the pusher (1) (pic. 7).

## Notes:

- For better meat processing, slice it in cubes or stripes. Defrost frozen meat thoroughly.
- During the operation use only the pusher (1) supplied with the unit; do not use any other objects, do not push meat with your hands.
- After you finish operating, switch the meat grinder off, setting the switch (7) to the position «OFF» and unplug the unit; after that you can disassemble it.
- To remove the meat grinder head (3), press the release button (5), turn the meat grinder head (3) clockwise and remove it.
- To disassemble the meat grinder head, unscrew the nut (12) and take out the installed plate (10 or 11), the blade (9) and the screw (8) from the meat grinder head body.

## Making sausages

- Prepare minced meat.
- Install the meat grinder head (3) in the installation place (4).
- Install the screw (8) into the meat grinder head body (3) and then install the cross blade (9), one of the meshes (10 or 11) and the sausage filling attachment (13) on the screw (8) (pic. 8), then tighten the nut (12).
- Install the food tray (2).
- Put the minced meat on the food tray (2).
- Use natural sausage casing for sausage making, having put it beforehand into a bowl with warm water for 10 minutes.
- Pull softened casing on the attachment (13) and make a knot on the tip.
- Insert the power plug into the mains socket.
- Switch the meat grinder on by setting the switch (7) to the position «ON» (switched on).
- Use the pusher (1) (pic. 8) to push down the minced meat; as the casing is filled, slide it off the attachment (13), and wet it as the casing dries.
- After you finish operating, switch the meat grinder off by setting the switch (7) to the posi-

tion «OFF» (off) and unplug the unit; after that you can disassemble it.

- To remove the meat grinder head, press the release button (5), turn the meat grinder head (3) clockwise and remove it.
- Unscrew the nut (12) and disassemble the meat grinder head (3).

## Using the «kebbe» attachment

Kebbe is a traditional Middle Eastern dish cooked of lamb meat, wheat flour and spices chopped together to prepare the base for hollow rolls. The rolls are filled and deep fried.

You can make different delicacies trying various fillings. Prepare the casing base.

- Install the meat grinder head (3) in the installation place (4).
- Insert the screw (8) into the meat grinder head body (3), install the kebbe attachments (14) on the screw; make sure that the ledges on the attachment (14) match the grooves on the meat grinder head body (pic. 9) and tighten the nut (12) (pic. 10).
- Install the food tray (2).
- Put the prepared casing base on the food tray (2).
- Insert the power plug into the mains socket.
- Switch the meat grinder on by setting the switch (7) to the position «ON» (switched on).
- Use the pusher (1) to supply the base for casing (pic. 11).
- Cut off rolls of the required length.
- After you finish operating, switch the meat grinder off by setting the switch (7) to the position «OFF» (off) and unplug the unit; after that you can disassemble it.
- To remove the meat grinder head (3), press the lock button (5), turn the meat grinder head (3) clockwise and remove it.
- Unscrew the nut (12) and disassemble the meat grinder head.

## RECIPE

### Filling

Lamb meat 100 g

Olive oil 1,5 table spoon

Onion (minced) 1,5 table spoon

Spice to taste

Salt 1/4 tea spoon

Flour 1 table spoon or 1/2 table spoon

- Mince the lamb meat once or twice.
- Fry onion in oil until it gets gold color, and then add minced lamb meat, spice, salt and flour.

## Casing

Lean meat 450 g

Flour 150-200 g

Spice 1 tea spoon (to taste)

Nutmeg 1 pc.

Ground chilli pepper (to taste)

Pepper (to taste)

- Mince the meat thrice, mince nutmeg, and mix the components.
- More meat and less flour in a casing provide better consistency and taste of the prepared dish.
- Fill the rolls, clamp at edges, and shape as you wish.
- Deep fry the rolls.

## MEAT GRINDER CARE

- After finishing operation, switch the meat grinder off by setting the switch (7) to the position «OFF», and unplug the unit.
- Press the release button (5), turn the meat grinder head clockwise and remove it.
- Unscrew the nut (12) and remove the plates (10 or 11) and the crossed blade (9) from the screw (8).
- Remove the screw (8) from the meat grinder head (3).
- Remove remains of food from the screw (8).
- Wash the removable parts of the meat grinder (1, 2, 3, 8, 9, 10 or 11, 12, 13, 14) with warm water and neutral detergent, rinse and dry them thoroughly before assembling.
- Clean the meat grinder body (6) with a slightly damp cloth and then wipe the body dry.
- Do not use solvents or abrasives to clean the meat grinder body (6).
- Provide that no liquid gets inside the meat grinder body.
- Oil the plates (10, 11) and the blade (9) with vegetable oil before taking the dried accessories away for storage – this will protect them from oxidation.

## STORAGE

- Before taking the meat grinder away for storage, make sure that the meat grinder body and all removable parts are clean and dry.
- Keep the unit in a dry cool place out of reach of children and disabled persons.

## DELIVERY SET

Meat grinder – 1 pc.

Pusher – 1 pc.

Food tray – 1 pc.

Plates – 2 pcs.

Sausage filling attachment – 1 pc.

«Kebbe» attachments set – 1 pc.

Instruction manual – 1 pc.

## TECHNICAL SPECIFICATIONS

Power supply: 220-240 V ~ 50 Hz

Rated input power: 250 W

Maximum power: 1700 W

## RECYCLING



For environment protection do not throw out the unit and the batteries (if included), do not discard the unit and the batteries with usual household waste after the service life expiration; apply to specialized centers for further recycling.

The waste generated during the disposal of the unit is subject to mandatory collection and consequent disposal in the prescribed manner.

For further information about recycling of this product apply to a local municipal administration, a disposal service or to the shop where you purchased this product.

*The manufacturer preserves the right to change design, structure and specifications not affecting general principles of the unit operation without a preliminary notification due to which insignificant differences between the manual and product may be observed. If the user reveals such differences, please report them via e-mail info@vitek.ru for receipt of an updated manual.*

## The unit operating life is 3 years

## Guarantee

Details regarding guarantee conditions can be obtained from the dealer from whom the appliance was purchased. The bill of sale or receipt must be produced when making any claim under the terms of this guarantee.



*This product conforms to the EMC Directive 2014/30/EU and to the Low Voltage Directive 2014/35/EU.*

## МЯСОРУБКА VT-3636

Мясорубка предназначена для переработки продуктов и приготовления домашних полуфабрикатов.

### ОПИСАНИЕ

1. Толкатель
2. Лоток для продуктов
3. Корпус головки мясорубки
4. Место установки головки мясорубки
5. Кнопка фиксатора головки мясорубки
6. Корпус мясорубки
7. Переключатель режимов работы (ON/OFF/R)
8. Шнек
9. Крестообразный нож
10. Решётка для мелкой рубки
11. Решётка для крупной рубки
12. Гайка головки мясорубки
13. Насадка для набивки колбасок
14. Насадка для кеббе

### МЕРЫ ПРЕДОСТОРОЖНОСТИ

Перед использованием устройства внимательно прочитайте инструкцию по эксплуатации и сохраняйте её в течение всего срока эксплуатации. Неправильное обращение с устройством может привести к его поломке, причинению вреда пользователю или его имуществу.

Для снижения риска пожара, для недопущения поражения электрическим током и для защиты от других травм во время работы с электрической мясорубкой необходимо соблюдать приведённые ниже меры предосторожности.

- Перед первым включением убедитесь в том, что напряжение в электрической сети соответствует рабочему напряжению устройства.
- Используйте только те аксессуары, которые входят в комплект поставки.
- Во избежание поражения электрическим током НИКОГДА НЕ ПОГРУЖАЙТЕ устройство, сетевой шнур и вилку сетевого шнура в воду или в любые другие жидкости.
- Для чистки корпуса мясорубки используйте слегка влажную ткань, после чего вытрите корпус насухо.
- Никогда не оставляйте работающую мясорубку без присмотра.
- Перед сборкой, разборкой, а также перед чисткой мясорубки следует её выключить и вынуть вилку сетевого шнура из розетки.

- Устанавливайте устройство на ровной, устойчивой поверхности, вдали от источников тепла, открытого пламени, влаги и прямых солнечных лучей.
- Запрещается устанавливать устройство на горячей поверхности или в непосредственной близости от неё (например, рядом с газовой или электрической плитой, либо около нагретой духовки или варочной поверхности).
- Аккуратно обращайтесь с сетевым шнуром, не допускайте многократного его перекручивания, периодически распрямляйте сетевой шнур.
- Запрещается использовать сетевой шнур в качестве ручки для переноски мясорубки.
- Не допускайте, чтобы сетевой шнур свешивался со стола, и следите, чтобы он не касался острых кромок мебели и горячих поверхностей.
- Для отсоединения вилки сетевого шнура от электрической розетки следует держаться за вилку сетевого шнура, а не за сам шнур.
- Не подсоединяйте, не отсоединяйте и не беритесь за сетевой шнур или вилку сетевого шнура мокрыми руками, это может привести к удару электрическим током.
- Данное устройство не предназначено для использования детьми.
- Не разрешайте детям использовать устройство в качестве игрушки и не разрешайте детям прикасаться к корпусу устройства и к сетевому шнуру во время работы.
- Устанавливайте устройство во время работы и в перерывах между рабочими циклами в местах, недоступных для детей.
- Прибор не предназначен для использования лицами (включая детей) с пониженными физическими, психическими или умственными способностями или при отсутствии у них опыта или знаний, если они не находятся под контролем или не проинструктированы об использовании прибора лицом, ответственным за их безопасность.
- Из соображений безопасности детей не оставляйте полиэтиленовые пакеты, используемые в качестве упаковки, без присмотра.

**Внимание!** Не разрешайте детям играть с полиэтиленовыми пакетами или упаковочной плёнкой. Опасность удушья!

- При повреждении шнура питания его замену во избежание опасности должны производить изготовитель, сервисная служба или подобный квалифицированный персонал.



- Запрещается самостоятельно ремонтировать прибор. Не разбирайте прибор самостоятельно, при возникновении любых неисправностей или после падения устройства выключите прибор из электрической розетки и обратитесь в любой авторизованный (уполномоченный) сервисный центр по контактным адресам, указанным в гарантийном талоне и на сайте [www.vitek.ru](http://www.vitek.ru).
- Во избежание повреждений перевозите устройство только в заводской упаковке.
- Храните устройство в местах, недоступных для детей и людей с ограниченными возможностями.

*УСТРОЙСТВО ПРЕДНАЗНАЧЕНО ТОЛЬКО ДЛЯ БЫТОВОГО ИСПОЛЬЗОВАНИЯ В ЖИЛЫХ ПОМЕЩЕНИЯХ, ЗАПРЕЩАЕТСЯ КОММЕРЧЕСКОЕ ИСПОЛЬЗОВАНИЕ И ИСПОЛЬЗОВАНИЕ УСТРОЙСТВА В ПРОИЗВОДСТВЕННЫХ ЗОНАХ И РАБОЧИХ ПОМЕЩЕНИЯХ.*

#### **ВНИМАНИЕ!**

- Перед началом рубки мяса обязательно убедитесь в том, что все кости и излишки жира удалены.
- Запрещается проталкивать продукты какими-либо посторонними предметами или пальцами рук, пользуйтесь только толкателем (1), который входит в комплект поставки.
- Ни в коем случае не погружайте корпус мясорубки, сетевого шнура или вилку сетевого шнура в воду или в любые другие жидкости.
- Не пытайтесь перерабатывать мясорубкой пищевые продукты с твёрдыми волокнами (например, имбирь или хрен).
- Во избежание образования заторов не прикладывайте чрезмерных усилий, проталкивая мясо толкателем (1).
- Если какой-либо застрявший твёрдый кусок приводит к остановке вращения шнека и ножа, немедленно выключите устройство и прежде чем продолжить работу, удалите затор, используя функцию включения обратного вращения шнека «R» (реверс).

#### **ФУНКЦИЯ АВТОМАТИЧЕСКОГО ОТКЛЮЧЕНИЯ**

- Мясорубка оснащена функцией автоматического отключения при перегреве электромотора.
- При перегреве электромотора сработает автоматический термомпредохранитель, и мясорубка выключится.

- В этом случае немедленно извлеките вилку сетевого шнура из электрической розетки.
- Дайте мясорубке остыть в течение приблизительно 50-60 минут (при повышенной температуре в помещении может понадобиться большее время для остывания электромотора), прежде чем включить её снова.
- Подключите мясорубку к электрической сети и включите её, если мясорубка не включается, это может означать, что в ней имеются иные повреждения. В этом случае для ремонта мясорубки необходимо обратиться в авторизованный (уполномоченный) сервисный центр по контактным адресам, указанным в гарантийном талоне и на сайте [www.vitek.ru](http://www.vitek.ru).

#### **ПОДГОТОВКА МЯСОРУБКИ К ЭКСПЛУАТАЦИИ**

*После транспортировки или хранения устройства при пониженной температуре необходимо выдержать его при комнатной температуре не менее трёх часов.*

- Извлеките мясорубку и удалите все упаковочные материалы, протрите корпус влажной тканью, после чего вытрите его насухо.
- Все съёмные детали (1, 2, 3, 8, 9, 10, 11, 12, 13, 14) промойте теплой водой с нейтральным моющим средством, ополосните и перед сборкой тщательно просушите.
- Перед первым включением убедитесь, что напряжение в электрической сети соответствует рабочему напряжению устройства.

#### **ОСНОВНЫЕ ПРИНЦИПЫ РАБОТЫ С МЯСОРУБКОЙ**

- Мясорубка предназначена для переработки мяса без костей только в домашних условиях.
- Соберите устройство и установите его на ровную сухую поверхность.
- Убедитесь в том, что вентиляционные отверстия на корпусе не заблокированы.
- Вставьте вилку сетевого шнура в электрическую розетку.
- Поставьте под головку мясорубки (3) подходящую посуду.
- Убедитесь в том, что мясо полностью оттаяло, удалите излишки жира и кости, порежьте мясо на кубики или полоски такого размера, чтобы они свободно проходили в отверстие лотка (2).
- Включите устройство, установив переключатель (7) в положение «ON».

# РУССКИЙ

- Не торопясь проталкивайте мясо в раструб головки мясорубки (3) при помощи толкателя (1). Во время работы используйте толкатель (1), который входит в комплект поставки.
- Запрещается использовать для проталкивания мяса какие-либо предметы, ни в коем случае не проталкивайте мясо руками.
- Не прилагайте чрезмерных усилий для проталкивания мяса или других продуктов.
- В ходе рубки мяса может образоваться затор, для устранения образовавшегося затора следует воспользоваться функцией обратного вращения шнека. Для переключения в режим обратного вращения шнека выключите мясорубку, установив переключатель (7) в положение «OFF», затем нажмите и удерживайте переключатель (7) в положении «R».
- Время непрерывной работы устройства по переработки продуктов не должно превышать 10 минут.
- После 10 минут непрерывной работы следует выключить устройство и дать ему охладиться в течение 15-20 минут, после чего можно продолжить работу.
- Как только вы закончите работу, выключите мясорубку, установив переключатель (7) в положение «OFF», отключите мясорубку от электросети, и только после этого приступайте к её разборке.

## ПЕРЕРАБОТКА МЯСА

- Вставьте головку мясорубки (3) в место установки (4) и поверните головку мясорубки (3) против часовой стрелки до фиксации (рис. 1, 2).
- Вставьте шнек (8) в корпус головки мясорубки (3) (рис. 3).
- Установите крестообразный нож (9) (рис. 4).
- Выберите одну необходимую решётку (10 или 11) и установите её поверх ножа, совместив выступы на решётке с пазами в корпусе головки мясорубки (3), затяните гайку (12) (рис. 5, 6).

### Внимание!

- **Устанавливайте нож режущей стороной по направлению к решётке. Если нож будет установлен неправильно, он не будет выполнять функцию рубки.**
- **Решётка с более крупными отверстиями (11) подходит для переработки сырого мяса, овощей, сухофруктов, сыра, рыбы и т.п.**

- **Решётка с мелкими отверстиями (10) подходит для переработки как сырого, так и приготовленного мяса, рыбы и т.п.**

- На раструб головки мясорубки (3) установите лоток для продуктов (2).
- Включите мясорубку, установив переключатель (7) в положение «ON».
- Во время работы пользуйтесь только толкателем (1) (рис. 7).

### Примечания:

- Для улучшения процесса переработки мяса нарежьте его полосками или кубиками. Замороженное мясо необходимо полностью разморозить.
- Используйте во время работы толкатель (1), который входит в комплект поставки; запрещается использовать для проталкивания мяса какие-либо предметы, ни в коем случае не проталкивайте мясо руками.
- Как только вы закончите работу, выключите мясорубку, установив переключатель (7) в положение «OFF» и отключите ее от сети, и только после этого приступайте к ее разборке.
- Для снятия головки мясорубки (3) нажмите на кнопку фиксатора (5), поверните головку мясорубки (3) по часовой стрелке и снимите её.
- Для разборки головки мясорубки открутите гайку (12) и извлеките из корпуса головки мясорубки установленную решётку (10 или 11), крестообразный нож (9) и шнек (8).

## Набивка колбасок

- Приготовьте фарш.
- Установите головку мясорубки (3) в место установки (4).
- Установите шнек (8) в корпус головки мясорубки (3), установите на шнек (8) крестообразный нож (9), одну из сеток (10 или 11), насадку для набивки колбасок (13) (рис. 8), затем затяните гайку (12).
- Установите лоток для продуктов (2).
- Выложите готовый фарш на лоток для продуктов (2).
- Используйте для приготовления колбасок натуральную оболочку, предварительно поместив её в сосуд с тёплой водой на 10 минут.
- Натяните размягчённую оболочку на насадку (13) и завяжите на конце оболочки узел.

- Вставьте сетевую вилку в электрическую розетку.
- Включите мясорубку, установив переключатель (7) в положение «ON» (включено).
- Для подачи готового фарша используйте толкатель (1) (рис. 8), по мере заполнения оболочки сдвигайте её с насадки (13), по мере высыхания оболочки смачивайте её водой.
- Как только вы закончите работу, выключите мясорубку, установив переключатель (7) в положение «OFF» (выключено), и отключите её от электрической сети, и только после этого приступайте к её разборке.
- Для снятия головки мясорубки нажмите на кнопку фиксатора (5), поверните головку (3) по часовой стрелке и снимите её.
- Отверните гайку (12) и разберите головку мясорубки (3).

### Использование насадки «кеббе»

Кеббе – традиционное ближневосточное блюдо, которое готовят из мяса ягненка, пшеничной муки и специй, которые рубятся вместе, чтобы получить основу для изготовления полых трубочек. Трубочки наполняются начинкой и обжариваются во фритюре. Экспериментируя с начинкой для трубочек, можно готовить различные деликатесы. Приготовьте основу для оболочки.

- Установите головку мясорубки (3) в место установки (4).
- Установите шнек (8) в корпус головки мясорубки (3), установите на шнек насадки «кеббе» (14); следите за тем, чтобы выступы на насадке (14) совпали с пазами в корпусе головки мясорубки (рис. 9), и заверните гайку (12) (рис. 10).
- Установите лоток для продуктов (2).
- Выложите готовую основу для оболочки на лоток для продуктов (2).
- Вставьте сетевую вилку в электрическую розетку.
- Включите мясорубку, установив переключатель (7) в положение «ON» (включено)
- Для подачи основы для оболочки используйте толкатель (1) (рис. 11).
- Отрежьте готовые трубочки необходимой длины.
- Как только вы закончите работу, выключите мясорубку, установив переключатель (7) в положение «OFF» (выключено), и отключите её от электрической сети, и только после этого можно приступить к её разборке.

- Для снятия головки мясорубки (3) нажмите на кнопку фиксатора (5), поверните головку (3) по часовой стрелке и снимите её.
- Отверните гайку (12) и разберите головку мясорубки.

### РЕЦЕПТ

#### Начинка

*Баранина 100 г*

*Оливковое масло 1,5 столовой ложки*

*Репчатый лук (мелко нашинкованный)*

*1,5 столовой ложки*

*Пряности по вкусу*

*Соль 1/4 чайной ложки*

*Мука 1 столовая ложка*

*или 1/2 столовой ложки*

- Баранину необходимо измельчить в мясорубке один или два раза.
- Репчатый лук обжаривают в масле до золотистого цвета, затем добавляют рубленую баранину, все пряности, соль и муку.

#### Оболочка

*Постное мясо 450 г*

*Мука 150-200 г*

*Пряности 1 чайная ложка (по вкусу)*

*Мускатный орех 1 шт.*

*Красный молотый перец (по вкусу)*

*Перец (по вкусу)*

- Мясо измельчают в мясорубке три раза, измельчается также мускатный орех, затем смешивают все компоненты.
- Большое количество мяса и меньшее количество муки в наружной оболочке обеспечивают лучшую консистенцию и вкус готового изделия.
- Готовые трубочки наполняются начинкой, зажимаются по краям, трубочкам придаётся желаемая форма.
- Готовятся трубочки во фритюре.

### УХОД ЗА МЯСОРУБКОЙ

- После окончания работы следует выключить мясорубку, установив переключатель (7) в положение «OFF», и вынуть вилку сетевого шнура из электрической розетки.
- Нажмите на кнопку фиксатора (5), поверните головку мясорубки по часовой стрелке и снимите её.
- Отверните гайку (12) и снимите решётки (10 или 11), крестообразный нож (9) со шнека (8).
- Извлеките шнек (8) из головки мясорубки (3).

# РУССКИЙ

- Удалите со шнека (8) остатки продуктов.
- Промойте детали мясорубки (1, 2, 3, 8, 9, 10 или 11, 12, 13, 14) в тёплой воде с нейтральным моющим средством, ополосните их и перед сборкой тщательно просушите.
- Протрите корпус мясорубки (6) влажной тканью, после чего вытрите насухо.
- Для чистки корпуса мясорубки (6) запрещается использовать растворители или абразивные чистящие средства.
- Не допускайте попадания жидкости внутрь корпуса мясорубки.
- Прежде чем убрать просохшие принадлежности на хранение, смажьте решётки (10, 11) и крестообразный нож (9) растительным маслом – так они будут защищены от окисления.

## ХРАНЕНИЕ

- Перед тем, как убрать мясорубку на хранение, убедитесь в том, что корпус мясорубки и все съёмные детали, чистые и сухие.
- Храните устройство в сухом прохладном месте, недоступном для детей и людей с ограниченными возможностями.

## КОМПЛЕКТ ПОСТАВКИ

Мясорубка – 1 шт.  
Толкатель – 1 шт.  
Лоток для продуктов – 1 шт.  
Решётки – 2 шт.  
Насадка для набивки колбасок – 1 шт.  
Комплект насадок для приготовления «кеббе» – 1 шт.  
Инструкция по эксплуатации – 1 шт.

## ТЕХНИЧЕСКИЕ ХАРАКТЕРИСТИКИ

Электропитание: 220-240 В ~ 50 Гц  
Номинальная потребляемая мощность: 250 Вт  
Максимальная мощность: 1700 Вт

## УТИЛИЗАЦИЯ



В целях защиты окружающей среды, после окончания срока службы прибора и элементов питания (если входят в комплект), не выбрасы-

вайте их вместе с обычными бытовыми отходами, передайте прибор и элементы питания в специализированные пункты для дальнейшей утилизации.

Отходы, образующиеся при утилизации изделий, подлежат обязательному сбору с последующей утилизацией в установленном порядке.

Для получения дополнительной информации об утилизации данного продукта обратитесь в местный муниципалитет, службу утилизации бытовых отходов или в магазин, где Вы приобрели данный продукт.

*Производитель сохраняет за собой право изменять дизайн, конструкцию и технические характеристики, не влияющие на общие принципы работы устройства, без предварительного уведомления, из-за чего между инструкцией и изделием могут наблюдаться незначительные различия. Если пользователь обнаружил такие несоответствия, просим сообщить об этом по электронной почте [info@vitek.ru](mailto:info@vitek.ru) для получения обновленной версии инструкции.*

**Срок службы устройства – 3 года**



Данное изделие соответствует всем требуемым европейским и российским стандартам безопасности и гигиены.

**ИЗГОТОВИТЕЛЬ:** СТАР ПЛЮС ЛИМИТЕД  
(STAR PLUS LIMITED)

**МЕСТОНАХОЖДЕНИЕ И ПОЧТОВЫЙ АДРЕС ДЛЯ СВЯЗИ:** ЮНИТ БИ ЭНД СИ, 15Й ЭТАЖ, КЭЙСИ АБЕРДИН ХАУС, №38, ХЁНГ ИП РОУД, ВОНГ ЧУК ХАНГ, ГОНКОНГ, КНР

**ИМПОРТЕР:** ООО «ВИТЕК.РУС»

**МЕСТОНАХОЖДЕНИЕ И ПОЧТОВЫЙ АДРЕС ДЛЯ СВЯЗИ:** 117209, РФ, Г. МОСКВА, СЕВАСТОПОЛЬСКИЙ ПР-КТ, Д. 28, КОРП. 1.

**[www.vitek.ru](http://www.vitek.ru)**  
**ТЕЛЕФОН ДЛЯ СПРАВОК:** 8-800-100-18-30

СДЕЛАНО В КНР

## ЕТТАРТҚЫШ VT-3636

Еттартқыш азық-түлікті өңдеу және үйде жасалған жартылай фабрикаттарды дайындау үшін арналған.

## СИПАТТАМАСЫ

1. Итергіш
2. Азық-түлікке арналған астауша
3. Еттартқыш бастиегінің корпусы
4. Еттартқыш бастиегін орнату орны
5. Еттартқыш бастиегі бекіткішінің түйме
6. Еттартқыш корпусы
7. Жұмыс режимдерін ауыстырып-қосқыш (ON/OFF/R)
8. Шнек
9. Крест тәрізді пышақ
10. Ұсақ тартуға арналған торша
11. Ірі тартуға арналған торша
12. Еттартқыш бастиегінің сомыны
13. Шұжықшаларды толтыруға арналған қондырма
14. Кеббе үшін арналған қондырма

## САҚТАНДЫРУ ШАРАЛАРЫ

Құрылғыны пайдалану алдында пайдалану бойынша нұсқаулықты зейін қойып оқып шығыңыз және оны пайдалану мерзімі бойы сақтаңыз. Аспапты дұрыс пайдаланбау оның сынуына әкелуі, пайдаланушыға немесе оның мүлкіне зиян келтіруі мүмкін.

Электрлік еттартқышпен жұмыс істеу барысында өрттің шығу, электр тоғының соғу қаупін төмендету және басқа да жарақаттар алудан қорғау үшін төмендегі қауіпсіздік шараларын сақтау қажет.

- Бірінші рет қосар алдында электр желісіндегі кернеу құрылғының жұмыс кернеуіне сәйкес келетініне көз жеткізіңіз.
- Жеткізілім жинағына кіретін қосымша бөлшектерді ғана пайдаланыңыз.
- Электр тоғымен зақымдануға жол бермеу үшін құрылғыны, желілік бауды және желілік баудың айыртетігін суға немесе басқа сұйықтықтарға ЕШҚАШАН БАТЫРМАҢЫЗ.
- Еттартқыш корпусын тазалау үшін сәл дымқыл матаны пайдаланыңыз, содан кейін корпусы құрғатып сүртіңіз.
- Ешқашан жұмыс істеп тұрған еттартқышты қараусыз қалдырмаңыз.
- Еттартқышты құрау, бөлшектеу, сондай-ақ тазалау алдында оны өшіріп, желілік шнур ашасын розеткасынан суыру қажет.

- Құрылғыны тегіс орнықты бетке жылу, ашық от, ылғал көздерінен және тікелей күн сәулесінен алшақ жерге орналастырыңыз.
- Құрылғыны ыстық бетке немесе сондайдың (мысалы, газ, электр плитасы немесе қыздырылған тандыр немесе пісіретін бет) қасына орналастыруға тыйым салынады.
- Желілік бауды ұқыпты пайдаланыңыз, оның көп рет бұралуына жол бермеңіз, желілік бауды уақытылы түзетіп тұрыңыз.
- Еттартқышты тасымалдайтын тұтқа ретінде желілік шнурды пайдалануға тыйым салынады.
- Желілік шнурдың үстелден салбырап тұруын, сондай-ақ жиһаздың өткір жиектері мен ыстық беттерге тиюін болдырмаңыз.
- Желілік баудың айыртетігін электр ашалығынан ажыратқанда, баудың өзінен емес, айыртетіктен ұстаңыз.
- Желілік шнурды немесе ашаны су қолыңызбен қоспаңыз, ажыратпаңыз, бұл электр тоғының соғу қаупіне әкеп соғуы мүмкін.
- Берілген құрылғы балалардың пайдалануына арналмаған.
- Балаларға прибормен ойыншық ретінде ойнауына рұқсат етпеңіз және жұмыс істеп тұрған кезде балалардың корпусы және желілік шнурды ұстауына жол бермеңіз.
- Құрылғыны жұмыс істеп тұрған кезде және жұмыс циклдарының арасындағы үзілісте жастан кіші балалардың қолы жетпейтін жерлерге орнатыңыз.
- Дене, жүйке немесе сана мүмкіндіктері төмендетілген тұлғалардың (балаларды қоса) немесе оларда тәжірибесі немесе білімі болмаса, егер олар бақыланбаса немесе олардың қауіпсіздігі үшін жауап беретін тұлғамен аспапты пайдалану туралы нұсқаулықтар берілген болмаса, аспап олардың пайдалануына арналмаған.
- Балалардың қауіпсіздігін қамтамасыз ету мақсатында қаптама ретінде пайдаланылатын полиэтилен қапшықтарды қараусыз қалдырмаңыз.

**Назар аударыңыз!** Балаларға полиэтилен пакеттерімен немесе орама плёнкасымен ойнауға рұқсат етпеңіз. Тұншығу қаупі!

- Қуаттандыру бауы зақымданған жағдайда қауіп тууға жол бермеу үшін оны дайындаушы, сервистік қызмет немесе баламалы білікті маман ауыстыруы керек.

# ҚАЗАҚША

- Аспапты өз бетіңізбен жөндеуге тыйым салынады. Өз бетіңізден құрылғыны бөлшектемеңіз, кез келген ақау шыққан жағдайда, сондай-ақ құрылғы құлаған жағдайда құрылғыны ашалықтан ажыратыңыз да, байланысу мекенжайлары бойынша кепілдеме талонында және [www.vitek.ru](http://www.vitek.ru) сайтында көрсетілген кез келген туындыгерлес (өкілетті) қызмет көрсету орталықтарына хабарласыңыз.
- Бүлінулерге жол бермеу үшін құрылғыны зауыттық орауда тасымалдаңыз.
- Құрылғыны балалардың және мүмкіндіктері шектеулі адамдардың қолы жетпейтін жерде сақтаңыз.
- Электромотор қызып кеткенде автоматты термосақтандырғыш іске қосылады, және еттартқыш сөніп қалады.
- Мұндай жағдайда электр розеткасынан желі бауының ашасын жылдам суырып алыңыз.
- Еттартқышты қайтадан қосардың алдында оны шамамен 50-60 минут (үй-жайда температура жоғары болған кезде электрмоторының сууына ұзағырақ уақыт керек болуы мүмкін) бойы суыту керек.
- Еттартқышты электр желісіне жалғаңыз және оны қосыңыз, егер еттартқыш қосылмаса, бұл жағдайда оның басқа да зақымданулары бар екенін білдіруі мүмкін. Бұл жағдайда еттартқышты жөндеу үшін кепілдік талонында және [www.vitek.ru](http://www.vitek.ru) сайтында көрсетілген байланыс мекен-жайлары бойынша авторландырылған (уәкілетті) сервис орталығына жүгіну керек.

*ҚҰРЫЛҒЫ ТҰРҒЫН ПАНАЖАЙЛАРДА ТҰРМЫСТЫҚ ПАЙДАЛАНУ ҮШІН АРНАЛҒАН, ҚҰРЫЛҒЫНЫ КОММЕРЦИЯЛЫҚ ПАЙДАЛАНУ ЖӘНЕ ӨНДІРІСТІК АЙМАҚТАР МЕН ЖҰМЫС ПАНАЖАЙЛАРЫНДА ПАЙДАЛАНУҒА ТЫЙЫМ САЛЫНАДЫ.*

## НАЗАР АУДАРЫҢЫЗ!

- Етті тартудың алдында барлық сүйектер мен артық майлар алынғанына міндетті түрде көз жеткізіңіз.
- Өнімдерді қандайда бір басқа заттармен немесе қолдың саусақтарымен итеруге тыйым салынған, тек жеткізу жинағына кіретін итергішті (1) пайдаланыңыз.
- Ешбір жағдайда еттартқыш корпусын, желілік бауды немесе желілік бау айыртетігін суға немесе кез-келген басқа сұйықтықтарға матырмаңыз.
- Еттартқышта қатты талшықтары бар өнімдерді (мысалы, зімбір немесе желкек) тартпаңыз.
- Кептелістердің пайда болуына жол бермеу үшін азық-түлікті итегішпен (1) итергенде, асыра күш салмаңыз.
- Қандайда бір қыстырылып қалған тілім ирмек пен пышақтың айналуын тоқтатқан жағдайда құрылғыны дереу өшіріңіз және жұмысты қайта жалғастырмас бұрын ирмекті кері айналдыру функциясын «R» (реверс) пайдаланып, кептелісті алып тастаңыз.

## АВТОМАТТЫ СӨНУ ҚЫЗМЕТІ

- Еттартқыш электрмоторы қызып кеткенде автоматты сөну қызметімен жабдықталған.

**ЕТТАРТҚЫШТЫ ПАЙДАЛАНУҒА ДАЙЫНДАУ**  
*Тасымалданғаннан кейін немесе құрылғы төмен температурада сақталған жағдайда оны бөлме температурасында үш сағаттан кем емес уақыт ұстау қажет.*

- Еттартқышты шығарып алыңыз және барлық қаптама материалдарын алып тастаңыз, корпусы ылғал матамен сүртіп, одан кейін құрғатып сүртіңіз.
- Барлық шешіlmелі бөлшектерді (1, 2, 3, 8, 9, 10, 11, 12, 13, 14) бейтарап жуатын құрал қосылған жылы сумен жуыңыз, шайыңыз және жинау алдында мұқият құрғатыңыз.
- Алғашқы іске қосу алдында, электр желісіндегі кернеу құрылғының жұмыс істеу кернеуіне сәйкес келетініне көз жеткізіңіз.

## ЕТТАРТҚЫШПЕН ЖҰМЫС ІСТЕУДІҢ НЕГІЗГІ ҚАҒИДАЛАРЫ

- Еттартқыш сүйегі жоқ етті тек үй жағдайында өңдеуге арналған.
- Құрылғыны құрастырыңыз және жазық құрғақ бетке орнатыңыз.
- Корпустағы желдетілетін саңылаулар бітеліп қалмағанына көз жеткізіңіз.
- Желі бауының ашасын электр розеткасына тығыңыз.
- Еттартқыш бастиегінің (3) астына сәйкес ыдысты қойыңыз.
- Еттің толық ерігеніне көз жеткізіңіз, артық майларды және сүйектерді алып тастаңыз,

етті астаушаның (2) саңылауына еркін өтетіндей кубтар немесе жолақша етіп тураңыз.

- Ауыстырғышты (7) «ON» күйіне белгілеп, құрылғыны іске қосыңыз.
- Асықпай, еттартқыш бастиегінің (3) қонышына итергіштің (1) көмегімен етті итеріңіз. Жұмыс істеу уақытында жеткізілім жинағына кіретін итергішті (1) пайдаланыңыз.
- Етті итеруге қандай да бір заттарды пайдалануға тыйым салынады, ешбір жағдайда етті қолмен итермеңіз.
- Етті немесе басқа тамақ өнімдерін итеру үшін асыра күш салмаңыз.
- Етті тарту барысында кептеліс пайда болуы мүмкін, пайда болған кептелісті жою үшін шнектің «REV» кері айналу қызметін пайдалану керек. Иірмекті кері айналдыру режиміне (REVERSE) ауыстыру үшін ауыстырып-қосқышты (7) «OFF» күйіне қойып еттартқышты өшіріңіз, одан кейін ауыстырып-қосқышты (7) басып «R» күйінде ұстап тұрыңыз.
- Құрылғының өнімдерді өңдеу бойынша үздіксіз жұмыс істеу уақыты 10 минуттан аспауы тиіс.
- 10 минут үздіксіз жұмыс істегеннен кейін құрылғыны сөндіру және оған 15-20 минут бойы салқындауға уақыт беру керек, содан кейін жұмысты жалғастыруға болады.
- Сіз жұмысты аяқтағаннан кейін, ауыстырғышты (7) «OFF» күйіне белгілеп, еттартқышты сөндіріңіз, еттартқышты электр желісінен ажыратыңыз, және содан кейін ғана оны бөлшектеуге кірісіңіз.

## ЕТТІ ӨНДЕУ

- Еттартқыштың бастиегін (3) орнатылатын орнына (4) салыңыз және бастиегін (3) сағат тіліне қарсы бағытта бекітілгенше бұраңыз (сур. 1, 2).
- Шнекті (8) еттартқыш бастиегінің корпусына (3) орнатыңыз (сур. 3).
- Айқаспалы пышақты (9) орнатыңыз (сур. 4).
- Бір қажетті торкөзді (10 немесе 11) алып, пышақтың үстінен торкөздегі дөңестер мен еттартқыш бастиегінің (3) корпусындағы ойықтарды сәйкестендіріп орнатыңыз, сомынды (12) қатайтыңыз (сур. 5, 6).

## Назар аударыңыз!

- **Пышақты кесетін жағымен торға қаратып орнатыңыз. Егер пышақ дұрыс орнатылмаған болса, ол тарту қызметін орындамайды.**
- **Анағұрлым ірі саңылаулары бар тор (11) шикі етті, көкөністерді, кептірілген жемістерді, ірімшікті, балықты және т.б. өңдеуге жарайды.**
- **Ұсақ саңылаулары бар тор (10) шикі және піскен етті, балықты және т.б. өңдеуге жарайды.**
- Еттартқыш бастиегінің мойнына (3) өнімдерге арналған науаны (2) орнатыңыз.
- Ауыстырғышты (7) «ON» күйіне белгілеп, еттартқышты іске қосыңыз.
- Жұмыс істеу кезінде тек итергішті (1) пайдаланыңыз (сур. 7).

## Ескертпе:

- *Етті өңдеу процесін жақсарту үшін оны жолақша немесе куб тәрізді етіп тураңыз. Мұздатылған етті толық еріту керек.*
- *Жеткізілім жинағына кіретін итергішті жұмыс істеу (1) уақытында пайдаланыңыз; етті итеруге қандай да бір заттарды пайдалануға тыйым салынады, ешбір жағдайда етті қолмен итермеңіз.*
- Жұмыс істеп біткеннен кейін, ауыстырғышты (7) «OFF» күйіне белгілеп, еттартқышты сөндіріңіз және оны желіден ажыратыңыз, және содан кейін ғана оны бөлшектеуге кірісіңіз.
- Еттартқыш бастиегін (3) шешу үшін бекіткіш (5) батырмасын басыңыз, еттартқыш бастиегін (3) сағат тілі бойынша бұраңыз және оны шешіңіз.
- Еттартқыш бастиегін бөлшектеу үшін бұранданы (12) бұрап алыңыз және еттартқыш бастиегінің корпусынан орнатылған торшаны (10 немесе 11), пышақты (9) және шнекті (8) алып шығыңыз.

## Шұжық толтыру

- Тартылған етті дайындаңыз.
- Еттартқыш бастиегін (3) орнату орнына (4) орнатыңыз.
- Иірмекті (8) еттартқыш бастиегінің корпусына (3) орнатыңыз, иірмекке (8) айқаспалы пышақты (9), тордың бірін (10 немесе 11),

# ҚАЗАҚША

- шұжық толтыратын қондырманы (13) (сур. 8) орнатыңыз, содан кейін гайканы (12) тартыңыз.
- Азық-түлікке арналған астаушаны (2) орнатыңыз.
- Өзірленген фаршты азық-түлікке арналған астаушаға (2) салыңыз.
- Шұжықтарды өзірлеу үшін табиғи қабықты пайдаланыңыз, оны жылы суы бар ыдысқа алдын ала 10 минут бойы салып қою керек.
- Жұмсартылған қабықты қондырмаға (13) кигізіңіз және қабықтың аяқ жағын түйіп байлаңыз.
- Желілік ашаны электр розеткасына қойыңыз.
- Ауыстырғышты (7) «ON» (іске қосылған) күйіне белгілеп, еттартқышты іске қосыңыз.
- Дайын фаршты итеру үшін итергішті (1) (сур. 8) пайдаланыңыз, қабық толған сайын оны қондырмадан (13) жылжытыңыз, қабық кепкен сайын оны сумен жібітіңіз.
- Жұмысты аяқтағаннан кейін, ауыстырғышты (7) «OFF» (сөндірілген) күйіне белгілеп, еттартқышты сөндіріңіз, және оны электрлік желіден ажыратыңыз, және осыдан кейін ғана оны бөлшектеуге кірісіңіз.
- Еттартқыш бастиегін шешу үшін бекіткіш быытмасына (5) басыңыз, бастиекті (3) сағат тілі бойынша бұраңыз және оны шешіңіз.
- Сомынды (12) бұрап шешіңіз және еттартқыш бастиегін (3) бөлшектеңіз.

## «Кеббе» саптамасын пайдалану

Кеббе – қозы етінен, астық ұнынан және дәмдеуіштерден дайынадалатын дәстүрлі жақын шығыстағы тағам, олар қуыс түтіктердің негізін жасау үшін бірге туралады. Түтікшелер салмамен толтырылады және фритюрде қуырылады.

Түтікшелерге арналған салмаларға тәжірибе жасай отырып әртүрлі деликатестер дайындауға болады. Қабыққа арналған негізді өзірлеңіз.

- Еттартқыш бастиегін (3) орнату орнына (4) орнатыңыз.
- Шнекті (8) еттартқыш бастиегінің (3) корпусына орнатыңыз, шнекке кеббе қондырмаларын (14) орнатыңыз, қондырмадағы (14) шығыңқылардың еттартқыш бастиегінің корпусындағы ойықтармен сәйкес түсуін қадағалаңыз (сур. 9), және сомынды (12) тартып бұраңыз (сур. 10).
- Азық-түлікке арналған астаушаны (2) орнатыңыз.

- Өзірленген негізді азық-түлікке арналған астаушаға (2) салыңыз.
- Желілік ашаны электр розеткасына қойыңыз.
- Ауыстырғышты (7) «ON» (іске қосылған) күйіне белгілеп, еттартқышты іске қосыңыз.
- Қабыққа арналған негізді беру үшін итергішті (1) пайдаланыңыз (сур. 11).
- Дайын түтіктерді қажетті ұзындықпен кесіңіз.
- Сіз жұмысты аяқтағаннан кейін, ауыстырғышты (7) «OFF» (сөндірілген) күйіне белгілеп, еттартқышты сөндіріңіз, және оны электрлік желіден ажыратыңыз, және осыдан кейін ғана оны бөлшектеуге кірісіуге болады.
- Еттартқыш бастиегін (3) шешу үшін бекіткіш (5) басыңыз, бастиекті (3) сағат тілі бойынша бұраңыз және оны шешіңіз.
- Сомынды (12) бұрап шешіңіз және еттартқыш бастиегін бөлшектеңіз.

## РЕЦЕПТ

### Салынды

*Қой еті 100 г*

*Зәйтүн майы 1,5 ас қасық*

*Пияз (ұсақтап туралған) 1,5 ас қасық*

*Талғамға қарай дәмдеуіштер*

*Тұз 1/4 шәй қасық*

*Ұн 1 ас қасық немесе 1/2 ас қасық*

- Қой етін еттартқыштан бір немесе екі рет өткізіп ұсақтап алу керек.
- Пиязды майда сарғайғанша қуырады, одан кейін тартылған қой етін, барлық дәмдеуіштерді, тұзды және ұнды қосады.

### Қабығы

*Майсыз ет 450 г*

*Ұн 150-200 г*

*Дәмдеуіштер 1 шай қасық (талғамға қарай)*

*Мускат жаңғағы 1 тал.*

*Қызыл ұнтақталған бұрыш (талғамға қарай)*

*Бұрыш (талғамға қарай)*

- Етті еттартқыштан үш рет өткізеді, сонымен бірге мускат жаңғағы да тартылады, одан кейін барлық компоненттері араластырылады.
- Сыртқы қабықтағы көп мөлшердегі ет пен аз мөлшердегі ұн ең жақсы консистенция мен дайын өнімнің дәмін қамтамасыз етеді.
- Дайын түтікшелерге салмалар салынады, шеттерін қысып, түтікшелердің қалаған пішіні жасалады.
- Түтікшелер фритюрде дайындалады.



## ЕТТАРТҚЫШТЫҢ КҮТІМІ

- Жұмысты аяқтағаннан кейін ауыстырып-қосқышты (7) «OFF» күйіне орнатып еттартқышты өшіру керек және желілік шнур ашасын розеткадан суыру керек.
- Шнекті еттартқыш бастиегінен (5) шығарыңыз.
- Бұранданы (12) бұрап алыңыз, торларды (10 немесе 11), крест тәрізді пышақты (9) шнектен (8) шешіңіз.
- Шнекті (8) еттартқыш бастиегінен (3) шығарыңыз.
- Шнектен (8) тамақ өнімдерінің қалдықтарын жойыңыз.
- Еттартқыштың детальдарды (1, 2, 3, 8, 9, 10 немесе 11, 12, 13, 14) бейтарап жуу құралы қосылған жылы сумен жуып жіберіңіз, шайыңыз және жинау алдында мұқият құрғатыңыз.
- Еттартқыштың корпусын (6) ылғал матамен сүртіңіз, одан кейін құрғатып сүртіңіз.
- Еттартқыш корпусын (6) тазалау үшін еріткіштерді немесе қажайтын тазалағыш заттарды пайдалануға тыйым салынады.
- Еттартқыш корпусының ішіне сұйықтықтың тиюіне жол бермеңіз.
- Кепкен жабдықтарды сақтауға алып қойғанға дейін, торшаларды (10, 11) және пышақты (9) өсімдік майымен жағыңыз – осылайша олар тотығудан қорғалатын болады.

## САҚТАЛУЫ

- Еттартқышты сақтауға қойғанға дейін, еттартқыш корпусы мен барлық шешілмелі бөлшектер таза және құрғақ екеніне көз жеткізіңіз.
- Құрылғыны құрғақ салқын, балалардың және мүмкіндіктері шектеулі адамдардың қолы жетпейтін жерде сақтаңыз.

## ЖЕТКІЗУ ЖИЫНТЫҒЫ

Еттартқыш – 1 дн.

Итергіш – 1 дн.

Тамақ өнімдеріне арналған астауша – 1 дн.

Торшалар – 2 дн.

Шұжықшаларды толтыруға арналған

қондырма – 1 дн.

«Кеббе» әзірлеуге арналған қондырмалар

жинағы – 1 дн.

Пайдалану бойынша нұсқаулық – 1 дн.

## ТЕХНИКАЛЫҚ СИПАТТАМА

Электрлік қуаттандыруы: 220-240 В ~ 50 Гц

Номиналдық тұтыну қуаты: 250 Вт

Максималдық қуаттылығы: 1700 Вт

## ҚАЙТА ӨНДЕУ



Қоршаған ортаны қорғау мақсатында, аспаптың және қуаттандыру элементтерінің (егер жинақтың құрамына кірсе) қызмет ету мерзімі аяқталғаннан кейін, оларды күнделікті тұрмыстық қалдықтармен бірге тастауға болмайды, аспап пен қуаттандыру элементтерін ары қарай көдеге асыру үшін мамандандырылған орындарға өткізу керек. Бұйымдарды қайта өңдеу кезінде пайда болатын қалдықтар белгіленген тәртіп бойынша келесі қайта өңделетін міндетті жинауға жатады. Берілген өнімді қайта өңдеу туралы қосымша ақпаратты алу үшін жергілікті муниципалитетке, тұрмыстық қалдықтарды қайта өңдеу қызметіне немесе берілген өнімді Сіз сатып алған дүкенге хабарласыңыз.

*Дайындаушы аспапты жақсарту мақсатында, алдын-ала хабарламай, аспаптың дизайнын, конструкциясы және оның жұмыс қағидатына әсер етпейтін техникалық сипаттарын өзгерту құқығын өзіне қалдырады, соған байланысты нұсқаулық пен бұйымның арасында кейбір айырмашылықтар болуы мүмкін. Егер пайдаланушы осындай сәйкессіздіктерді анықтаса, нұсқаулықтың жаңартылған нұсқасын алу үшін сәйкессіздік туралы [info@vitek.ru](mailto:info@vitek.ru) электрондық поштасына хабарлауыңызды сұраймыз.*

## Құрылғының қызмет ету мерзімі – 3 жыл

### Гарантиялық міндеттілігі

Гарантиялық жағдайдағы қаралып жатқан бөлшектер дилерден тек сатып алынған адамға ғана беріледі. Осы гарантиялық міндеттілігіндегі шағымдалған жағдайда төлеген чек немесе квитанциясын көрсетуі қажет.

**ЕАС**

# УКРАЇНЬСКА

## М'ЯСОРУБКА VT-3636

М'ясорубка призначена для перероблення продуктів та приготування домашніх напівфабрикатів.

### ОПИС

1. Штовхач
2. Лоток для продуктів
3. Корпус головки м'ясорубки
4. Місце установлення головки м'ясорубки
5. Кнопка фіксатора головки м'ясорубки
6. Корпус м'ясорубки
7. Перемикач режимів роботи (ON/OFF/R)
8. Шнек
9. Хрестоподібний ніж
10. Решітка для дрібного рубання
11. Решітка для крупного рубання
12. Гайка головки м'ясорубки
13. Насадка для набивання ковбасок
14. Насадка для кеббе

### ЗАПОБІЖНІ ЗАХОДИ

Перед використанням пристрою уважно прочитайте інструкцію з експлуатації і зберігайте її протягом всього терміну експлуатації. Неправильне поводження з пристроєм може привести до його поломки, спричинення шкоди користувачеві або його майну. Для зниження ризику пожежі, для запобігання ураженню електричним струмом та для захисту від інших травм під час роботи з електричною м'ясорубкою необхідно дотримуватися наведених нижче запобіжних заходів.

- Перед першим вмиканням переконайтеся в тому, що напруга в електричній мережі відповідає робочій напрузі пристрою.
- Використовуйте тільки ті аксесуари, які входять до комплекту постачання.
- Щоб уникнути ураження електричним струмом, **НІКОЛИ НЕ ЗАНУРЮЙТЕ** пристрій, мережний шнур і вилку мережного шнура у воду або будь-які інші рідини.
- Для чищення корпусу м'ясорубки використовуйте злегка вологу тканину, після чого витріть корпус досуха.
- Ніколи не залишайте працюючу м'ясорубку без нагляду.
- Перед складанням, розбиранням, а також перед чищенням м'ясорубки слід її вимкнути і вийняти вилку мережного шнура з електричної розетки.

- Встановлюйте прилад на рівній стійкій поверхні, далеко від джерел тепла, відкритого полум'я, вологи і прямих сонячних променів.
- Забороняється встановлювати пристрій на гарячій поверхні або в безпосередній близькості від неї (наприклад, поруч з газовою, електричною плитою або нагрітою духовкою або варильною поверхнею).
- Акуратно поводьтеся з мережним шнуром, не допускайте його багаторазового перекручування, періодично розпрямляйте мережний шнур.
- Забороняється використовувати мережний шнур в якості ручки для перенесення м'ясорубки.
- Не допускайте, щоб мережний шнур звішувався зі столу, та стежте, щоб він не торкався гострих кромek меблів і гарячих поверхонь.
- Для від'єднання вилки мережного шнура від електричної розетки слід триматися за вилку мережного шнура, а не за сам шнур.
- Не підмикайте, не роз'єднуйте і не беріться за мережний шнур або вилку мережного шнура мокрими руками, це може призвести до ураження електричним струмом.
- Цей пристрій не призначений для використання дітьми.
- Не дозволяйте дітям використовувати прилад як іграшку та не дозволяйте дітям торкатися корпусу пристрою та мережного шнура під час роботи.
- Встановлюйте пристрій під час роботи і у перервах між робочими циклами у місцях, недоступних для дітей.
- Пристрій не призначений для використання особами (включаючи дітей) зі зниженими фізичними, психічними і розумовими здібностями або при відсутності у них досвіду або знань, якщо вони не знаходяться під контролем або не проінструктовані щодо використання пристрою особою, відповідальною за їх безпеку.
- З міркувань безпеки дітей не залишайте поліетиленові пакети, використовувані в якості упаковки, без нагляду.

**Увага!** Не дозволяйте дітям грати з поліетиленовими пакетами або пакувальною плівкою. *Загроза ядухи!*

- При пошкодженні шнура живлення його заміну, щоб уникнути небезпеки, мають робити виробник, сервісна служба або подібний кваліфікований персонал.
- Забороняється самостійно ремонтувати прилад. Не розбирайте пристрій самостійно, при виникненні будь-яких несправностей, а також після падіння пристрою вимкніть пристрій з електричної розетки та зверніться до будь-якого авторизованого (уповноваженого) сервісного центру за контактними адресами, вказаними у гарантійному талоні та на сайті [www.vitek.ru](http://www.vitek.ru).
- Щоб уникнути пошкоджень, перевозьте пристрій тільки у заводській упаковці.
- Зберігайте пристрій у місцях, недоступних для дітей та людей з обмеженими можливостями.

*ПРИСТРІЙ ПРИЗНАЧЕНИЙ ТІЛЬКИ ДЛЯ ПОВУТОВОГО ВИКОРИСТАННЯ У ЖИТЛОВИХ ПРИМІЩЕННЯХ, ЗАБОРОНЯЄТЬСЯ КОМЕРЦІЙНЕ ВИКОРИСТАННЯ ТА ВИКОРИСТАННЯ ПРИСТРОЮ У ВИРОБНИЧИХ ЗОНАХ ТА РОБОЧИХ ПРИМІЩЕННЯХ.*

## УВАГА!

- Перед початком рубки м'яса обов'язково переконайтеся в тому, що всі кістки і надлишки жиру вилучені.
- Забороняється проштовхувати продукти якими-небудь сторонніми предметами або пальцями рук, орукуйте тільки штовхачем (1), який входить до комплекту поставлення.
- Ні в якому разі не занурюйте корпус м'ясорубки, мережний шнур або вилку мережного шнура у воду або в будь-які інші рідини.
- Не намагайтеся переробляти м'ясорубкою харчові продукти з твердими волокнами (наприклад, імбир або хрін).
- Щоб уникнути утворення затворів, не застосовуйте надмірних зусиль, проштовхуючи м'ясо штовхачем (1).
- Якщо який-небудь застряглий твердий шматок приводить до зупинки обертання шнека і ножа, негайно вимкніть пристрій і, перш ніж продовжити роботу, видалите затвор, використовуючи функцію включення зворотного обертання шнека «R» (реверс).

## ФУНКЦІЯ АВТОМАТИЧНОГО ВИМКНЕННЯ

- М'ясорубка оснащена функцією автоматичного вимкнення при перегріванні електромотора.
- При перегріванні електромотора спрацює автоматичний термозапобіжник, і м'ясорубка вимкнеться.
- У цьому випадку негайно витягніть вилку мережного шнура з електричної розетки.
- Дайте м'ясорубці остигнути протягом приблизно 50-60 хвилин (при підвищеній температурі у приміщенні може знадобитися більше часу для остигання електромотора), перш ніж увімкнути її знов.
- Підімкніть м'ясорубку до електричної мережі та увімкніть її, якщо м'ясорубка не вмикається, це може означати, що в неї є інші пошкодження. В цьому випадку звернутися до авторизованого (уповноваженого) сервісного центру за контактними адресами, вказаними у гарантійному талоні та на сайті [www.vitek.ru](http://www.vitek.ru).

## ПІДГОТОВКА М'ЯСОРУБКИ ДО ЕКСПЛУАТАЦІЇ

*Після транспортування або зберігання пристрою при зниженій температурі необхідно витримати його при кімнатній температурі не менше трьох годин.*

- Витягніть м'ясорубку і видалите всі пакувальні матеріали, протріть корпус вологою тканиною, після чого витріть його досуха.
- Всі знімні деталі (1, 2, 3, 8, 9, 10, 11, 12, 13, 14) протріть теплою водою з нейтральним мийним засобом, ополосніть та перед складанням ретельно просушіть.
- Перед першим вмиканням переконайтеся, що напруга в електричній мережі відповідає робочій напрузі пристрою.

## ОСНОВНІ ПРИНЦИПИ РОБОТИ З М'ЯСОРУБКОЮ

- М'ясорубка призначена для переробки м'яса без кісток (тільки в домашніх умовах).
- Зберіть пристрій і встановіть його на рівню суху поверхню.
- Переконайтеся в тому, що вентиляційні отвори на корпусі не заблоковані.
- Вставте вилку мережного шнура в електричну розетку.

# УКРАЇНЬСКА

- Поставте під головку м'ясорубки (3) відповідний посуд.
- Переконайтеся в тому, що м'ясо повністю відтануло, видаліть надлишки жиру і кістки, поріжте м'ясо на кубики або смужки такого розміру, щоб вони вільно проходили в отвір лотка (2).
- Увімкніть пристрій, встановивши перемикач (7) в положення «ON».
- Не поспішаючи, проштовхуйте м'ясо в розтруб голівки м'ясорубки (3) за допомогою штовхача (1). Під час роботи використовуйте штовхач (1), який входить в комплект поставки.
- Забороняється використовувати для проштовхування м'яса будь-які предмети, ні в якому разі не проштовхуйте м'ясо руками.
- Не докладайте надмірних зусиль для проштовхування м'яса або інших продуктів.
- У ході рубання м'яса може утворитися затор, для усунення утвореного затору слід скористатися функцією зворотного обертання шнека «REV». Для перемикачання в режим зворотного обертання шнека (REVERSE) вимкніть м'ясорубку, встановивши перемикач (7) в положення «OFF», потім натисніть і утримуйте перемикач (7) в положенні «R».
- Час безперервної роботи пристрою по переробленню продуктів не має перевищувати 10 хвилин.
- Після 10 хвилин безперервної роботи слід вимкнути пристрій і дати йому охолонути протягом 15-20 хвилин, після чого можна продовжити роботу.
- Як тільки ви закінчите роботу, вимкніть м'ясорубку, встановивши перемикач (7) у положення «OFF», вимкніть м'ясорубку з електромережі і тільки після цього починайте її розбирання.

## ПЕРЕРОБЛЕННЯ М'ЯСА

- Вставте головку м'ясорубки (3) в місце установки (4) і оберніть головку м'ясорубки (3) проти годинникової стрілки до фіксації (мал. 1, 2)
- Вставте шнек (8) у корпус головки м'ясорубки (3) (мал. 3).
- Встановіть хрестоподібний ніж (9) (мал. 4)
- Виберіть одну необхідну решітку (10 або 11) і встановіть її поверх ножа, поєднавши виступи на решітці з пазами в корпусі

голівки м'ясорубки (3), затягніть гайку (12) (мал. 5, 6)

### Увага!

- **Встановлюйте ніж ріжучим боком у напрямку до решітки. Якщо ніж буде встановлений неправильно, він не виконуватиме функцію рубання.**
- **Решітка з крупнішими отворами (11) пасує до перероблення сирого м'яса, овочів, сухофруктів, сиру, риби і т.ін.**
- **Решітка з дрібними отворами (10) пасує до перероблення як сирого, так і приготовленого м'яса, риби і т.ін.**
- На розтруб голівки м'ясорубки (3) встановіть лоток для продуктів (2).
- Увімкніть м'ясорубку, встановивши перемикач (7) у положення «ON».
- Під час роботи користуйтеся тільки штовхачем (1) (мал. 7).

### Примітки:

- Для поліпшення процесу перероблення м'яса нарізайте його стрічками або кубиками. Заморожене м'ясо необхідно повністю розморозити.
- Використовуйте під час роботи штовхач (1), який входить до комплекту постачання; забороняється використовувати для проштовхування м'яса будь-які предмети, ні в якому разі не проштовхуйте м'ясо руками.
- Як тільки ви закінчите роботу, вимкніть м'ясорубку, встановивши перемикач (7) в положення «OFF», і відключите її від мережі, і лише після цього приступайте до її розбирання.
- Для зняття головки м'ясорубки (3) натисніть на кнопку фіксатора (5), поверніть головку м'ясорубки (3) за годинниковою стрілкою і зніміть її.
- Для розбирання головки м'ясорубки відкрутіть гайку (12) і витягніть з корпусу головки м'ясорубки встановлену решітку (10 або 11), хрестоподібний ніж (9) і шнек (8).

## Набивання ковбасок

- Приготуйте фарш.
- Установіть головку м'ясорубки (3) у місце установлення (4).
- Установіть шнек (8) у корпус головки м'ясорубки (3), установіть на шнек (8) хрестоподібний ніж (9), одну з сіток (10 або 11), насадку для набивання ковбасок (13) (мал. 8), потім затягніть гайку (12).

- Установіть лоток для продуктів (2).
- Викладіть готовий фарш на лоток для продуктів (2).
- Використовуйте для приготування ковбасок натуральну оболонку, попередньо помістивши її в посудину з теплою водою на 10 хвилин.
- Натягніть розм'якшену оболонку на насадку (13) та зав'яжіть на кінці оболонки вузол.
- Вставте мережну вилку в електричну розетку.
- Увімкніть м'ясорубку, встановивши перемикач (7) у положення «**ON**» (увімкнено).
- Для подачі готового фаршу використовуйте штовхач (1) (мал. 8), у міру заповнення оболонки зсувайте її з насадки (13), по мірі висихання оболонки змочуйте її водою.
- Як тільки ви закінчите роботу, вимкніть м'ясорубку, встановивши перемикач (7) у положення «**OFF**» (вимкнено), вимкніть її з електричної мережі і тільки після цього починайте її розбирання.
- Для зняття головки м'ясорубки натисніть на кнопку фіксатора (5), поверніть головку (3) за годинниковою стрілкою і зніміть її.
- Відверніть гайку (12) і розберіть головку м'ясорубки (3).

## Використання насадки «кеббе»

Кеббе – традиційне близькосхідне блюдо, яке готують з м'яса ягняти, пшеничного борошна і спецій, які рубаються разом, щоб отримати основу для виготовлення порожнистих трубочок. Трубочки наповнюються начинкою і обсмажуються у фритюрі. Експериментуючи з начинкою для трубочок, можна готувати різні делікатеси. Приготуйте основу для оболонки.

- Установіть головку м'ясорубки (3) у місце установлення (4).
- Встановіть шнек (8) в корпус головки м'ясорубки (3), встановіть на шнек насадку «кеббе» (14); стежте за тим, щоб виступи на насадці (14) збіглися з пазами в корпусі головки м'ясорубки (мал. 9), і закрутіть гайку (12) (мал. 10).
- Установіть лоток для продуктів (2).
- Викладіть готову основу для оболонки на лоток для продуктів (2).

- Вставте мережну вилку в електричну розетку.
- Увімкніть м'ясорубку, встановивши перемикач (7) у положення «**ON**» (увімкнено).
- Для подачі основи для оболонки використовуйте штовхач (1) (мал. 11).
- Відрізуйте готові трубочки необхідної довжини.
- Як тільки ви закінчите роботу, вимкніть м'ясорубку, встановивши перемикач (7) у положення «**OFF**» (вимкнено), та вимкніть її з електричної мережі, і тільки після цього можна починати її розбирання.
- Для зняття головки м'ясорубки (3) натисніть кнопку фіксатора (5), поверніть головку (3) за годинниковою стрілкою і зніміть її.
- Відверніть гайку (12) і розберіть головку м'ясорубки.

## РЕЦЕПТ

### Начинка

*Баранина 100 г*

*Оливкова олія 1,5 столові ложки*

*Ріпчаста цибуля (дрібно нашаткований)*

*1,5 столові ложки*

*Прянощі за смаком*

*Сіль 1/4 чайної ложки*

*Борошно 1 столова ложка або 1/2 столової ложки*

- Баранину необхідно подрібнити в м'ясорубці один або два рази.
- Ріпчасту цибулю обсмажують в олії до золотистого кольору, потім додають рубану баранину, всі прянощі, сіль і борошно.

### Оболонка

*Пісне м'ясо 450 г*

*Борошно 150-200 г*

*Прянощі 1 чайна ложка (за смаком)*

*Мускатний горіх 1 шт.*

*Червоний мелений перець (за смаком)*

*Перець (за смаком)*

- М'ясо подрібнюють у м'ясорубці три рази, подрібнюється також мускатний горіх, потім змішують всі компоненти.
- Більша кількість м'яса і менша кількість борошна в зовнішній оболонці забезпечують кращу консистенцію і смак готового виробу.

# УКРАЇНЬСКА

- Готові трубочки наповнюються начинкою, затискаються по краях, трубочкам надається бажана форма.
- Готуються трубочки у фритюрі.

## ДОГЛЯД ЗА М'ЯСОРУБКОЮ

- Після закінчення роботи слід вимкнути м'ясорубку, встановивши перемикач (7) у положення «OFF», і вийняти вилку мережевого шнура з електричної розетки.
- Натисніть кнопку фіксатора (5), поверніть головку м'ясорубки за годинниковою стрілкою і зніміть її.
- Відкрутіть гайку (12) і зніміть решітки (10 або 11), хрестоподібний ніж (9) з шнека (8).
- Вийміть шнек (8) з головки м'ясорубки (3).
- Видаліть зі шнека (8) залишки продуктів.
- Промийте деталі м'ясорубки (1, 2, 3, 8, 9, 10 або 11, 12, 13, 14) у теплій воді з нейтральним мийним засобом, ополосніть їх та перед складанням ретельно просушіть.
- Протріть корпус м'ясорубки (6) злегка вологою тканиною, після чого витріть досуха.
- Для чищення корпусу м'ясорубки (6) забороняється використовувати розчинники або абразивні чистячі засоби.
- Не допускайте потрапляння рідини всередину корпусу м'ясорубки.
- Перед тим як прибрати просохлі приладдя на зберігання, змастіть решітки (10, 11) і хрестоподібний ніж (9) рослинним маслом – так вони будуть захищені від окислення.

## ЗБЕРІГАННЯ

- Перед тим, як забрати м'ясорубку на зберігання, переконайтеся у тому, що корпус м'ясорубки та всі знімні деталі чисті та сухі.
- Зберігайте пристрій у сухому прохолодному місці, недоступному для дітей та людей з обмеженими можливостями.

## КОМПЛЕКТ ПОСТАЧАННЯ

М'ясорубка – 1 шт.  
Штовхач – 1 шт.  
Лоток для продуктів – 1 шт.  
Решітки – 2 шт.  
Насадка для набивання ковбасок – 1 шт.  
Комплект насадок для приготування «кеббе» – 1 шт.  
Інструкція з експлуатації – 1 шт.

## ТЕХНІЧНІ ХАРАКТЕРИСТИКИ

Електроживлення: 220-240 В ~ 50 Гц  
Номінальна споживана потужність: 250 Вт  
Максимальна потужність: 1700 Вт

## УТИЛІЗАЦІЯ



Для захисту навколишнього середовища після закінчення терміну служби пристрою та елементів живлення (якщо входять до комплекту) не викидайте їх разом зі звичайними побутовими відходами, передайте пристрій та елементи живлення у спеціалізовані пункти для подальшої утилізації.

Відходи, що утворюються при утилізації виробів, підлягають обов'язковому збору з подальшою утилізацією установленим порядком.

Для отримання додаткової інформації про утилізацію даного продукту зверніться до місцевого муніципалітету, служби утилізації побутових відходів або до крамниці, де Ви придбали цей продукт.

*Виробник зберігає за собою право змінювати дизайн, конструкцію та технічні характеристики, які не впливають на загальні принципи роботи пристрою, без попереднього повідомлення, через що між інструкцією та виробом можуть спостерігатися незначні відмінності. Якщо користувач виявив такі невідповідності, просимо повідомити про це по електронній пошті [info@vitek.ru](mailto:info@vitek.ru) для отримання оновленої версії інструкції.*

**Термін служби пристрою – 3 роки**

## Гарантія

Докладні умови гарантії можна отримати в дилера, що продав дану апаратуру. При пред'явленні будь-якої претензії протягом терміну дії даної гарантії варто пред'явити чек або квитанцію про покупку.



*Даний продукт відповідає вимогам Директиви 2014/30/ЄС щодо електромагнітної сумісності та Директиви 2014/35/ЄС щодо низьковольтного обладнання.*

## ЭТ ТУУРАГЫЧ VT-3636

Эт туурагыч азыктарды шарттарында иштетүү, үй шартында чала фабрикактарды жасоо үчүн арналган.

### СЫПАТТАМА

1. Түрткүч
2. Азыктарды салуучу идиши
3. Эт туурагычтын бөркүнүн корпусу
4. Эт туурагычтын бөркүнүн орнотуу жайы
5. Эт туурагычтын бөркүнүн бекитме баскычы
6. Эт туурагычтын корпусу
7. (ON/OFF/R) иштөө режимдердин которгучу
8. Шнек
9. Крест сыяктуу бычак
10. Майда кесе турган панжарасы
11. Чоң-чоң кесе турган панжарасы
12. Эт туурагычтын бөркүнүн гайкасы
13. Колбаскаларды толтуруу насадкасы
14. Кеббе жасоо үчүн насадкасы

### КООПСУЗДУК ЧАРАЛАРЫ

Электр шайманды пайдалануудан мурун колдонмону көңүл коюп окуп-үйрөнүңүз, бүткүл кызмат мөөнөтүнө сактап алыңыз. Шайманды туура эмес пайдалануу анын бузулуусуна, колдонуучуга же колдонуучунун мүлкүнө зыян келтирүүгө алып келиши мүмкүн.

Электр эт майдалагычты колдонгон учурда өрт коркунучун жоюу, ток уруу же башка жаракат алуудан сакталуу үчүн төмөнкүдөгү коопсуздук чараларды сактоо зарыл.

- Шайманды биринчи иштеткенде чыңалуусу электр тармагынын чыңалуусуна ылайык болгонун текшерип алыңыз.
- Жабдыктын жыйынтыгына кирген аксессуарларын гана колдонуңуз.
- Ток урбас үчүн кубаттуучу сайгычын, электр шнурун же шаймандын өзүн ЭЧ КАЧАН сууга же башка суюктуктарга САЛБАҢЫЗ.
- Эт майдалагычтын корпусун тазалоо үчүн аны бир аз нымдуу чүпүрөк менен сүртүп, андан кийин кургатып сүртүңүз.
- Иштеп турган эт майдалагычты эч качан кароосуз таштабаңыз.
- Эт майдалагычты куратыруу, ажыратуу же тазалоонун алдында аны өчүрүп, кубаттуучу сайгычын розеткасынан суруу зарыл.
- Шайманды тегиз, туруктуу беттин үстүнө, нымдуулук, тике күн нурлары жана ачык от булактарынан алыс жеринде орнотуңуз.

- Шайманды ысык беттин үстүнө же анын тикеден-тике жакынчылыгында (мисалы үчүн, газ же электр мештин, ысып турган демдеме мештин же бышыргыч беттин жанында) орнотууга тыюу салынат.
- Электр шнурун акырындык менен колдонуңуз, анын көп жолу чыйратылганына жол бербей, мезгилдүү түрдө түздөтүп туруңуз.
- Электр эт туурагычты көтөрүп ташуу үчүн туткасы катары электр шнурун колдонууга тыюу салынат.
- Электр шнуру столдун кырынан салаңдап кетүүсүнө, анын ысык беттерге же ашкана эмеректин учтуу кырларына тийүүсүнө жол бербениз.
- Кубаттуучу сайгычын электр розеткасынан сурганда шнурду кармап эч качан тартпаңыз, сайгычынан кармаңыз.
- Электр шнурун же кубаттуучу сайгычын суу колунуз менен сайбаңыз, сурбаңыз да тийбеңиз, бул ток урууга алып келүү мүмкүн.
- Бул шайман балдар колдонгону үчүн арналган эмес.
- Шайманды оюнчук катары колдонууга, ал иштеп турган учурунда корпусун, электр шнурун тийүүгө балдарга уруксат бербениз.
- Шайман иштеп турган учурунда же иштөө циклдердин арасында аны балдардын колу жетпеген жеринде орнотуңуз.
- Бул шайман дене күчү, сезими же акыл-эси жагынан жөндөмдүүлүгү төмөн (ошонун ичинде балдар да) адамдар же колдонуу боюнча тажрыйбасы же билими жок болгон адамдар, эгерде алардын коопсуздугуна жооптуу адам аларды көзөмөлдөп же инструкциялаган болбосо колдонуу үчүн ылайыкташтырылбаган.
- Балдардын коопсуздугу үчүн таңгак катары колдонулган полиэтилен баштыктарды кароосуз таштабаңыз.

**Көңүл буруңуз! Полиэтилен баштыктар же таңгак пленкасы менен ойногонго балдарга уруксат бербениз. Тумчуктуруунун коркунучу бар!**

- Электр шнуру бузук болгондо коопчулуктарга жол бербегени үчүн аны өнүктүрүүчү, тейлөө кызмат же аларга окшогон дасыккан кызматкерлер алмаштырууга тийиш.
- Шайманды өз алдынча оңдогонго тыюу салынат. Шайманды өз алдынча ажыратпай, ар кыл бузулуулар пайда болгон же шай-

# КЫРГЫЗ

ман кулап түшкөн учурларда аны розеткадан суруп, кепилдик талонундагы же [www.vitek.ru](http://www.vitek.ru) сайтындагы тизмесине кирген автордоштурулган (ыйгарым укуктуу) тейлөө борборуна кайрылыңыз.

- Бузулуулар пайда болбогону үчүн шайманды заводдук таңгагында гана транспорттоо зарыл.
- Шайманды балдардын жана жөндөмдүүлүгү төмн адамдардын колу жетпеген жерде сактаңыз.

*АСПАП ТУРАК ЖАЙЛАРДА ТУРМУШ-ТИРИЧИЛИК КОЛДОНУУГА ГАНА АРНАЛГАН, КОММЕРЦИЯЛЫК КОЛДОНУУГА, ӨНӨР ЖАЙ ЗОНАЛАРЫНДА ЖЕ ЖУМУШ ИМАРАТТАРДА КОЛДОНУУГА ТЫЮУ САЛЫНАТ.*

## КӨҢҮЛ БУРУҢУЗ!

- Эtti туурап баштагандын алдында сөөктөрү жана ашыкча майы алынганын текшерип алыңыз.
- Азыктарды башкача буюмдар менен же колунузду бармактары менен түртүүгө тыюу салынат, ал үчүн жабдыктын жыйынтыгына кирген түрткүчтү (1) гана колдонуңуз.
- Эт туурагычтын корпусун, электр шнуру менен кубаттуучу сайгычын эч качан сууга же башка суюктуктарга салбаңыз.
- Катуу талчалары бар (мисалы, имбирь же хрен) азыктарды эт туурагычында иштетүүгө аракет кылбаңыз.
- Эт тыгылып калбас үчүн аны түрткүч (1) менен түрткөндө ашыкча күч салбаңыз
- Тыгылып калган ар кыл катуу кесим шнектин же бычактын айлануусун басаңдатып же токтотуп калса, шайманды токтоосуз өчүрүп, иштетүүнү улантуунун алдында шнектин тескери айлануу «R» (реверс) функциясынын жардамы менен тыгылган жерин бошо-туп алыңыз.

## АВТОМАТИКАЛЫК ТҮРДӨ ӨЧҮҮ ФУНКЦИЯСЫ

- Эт туурагыч электр мотору ашыкча ысып кеткенде автоматтык түрдө өчүү функциясы менен жабдылган.
- Электр мотору өтө ысып кеткенде автоматикалык термосактагычы иштеп, эт туурагыч өчөт.
- Ошол учурда кубаттуучу сайгычын токтоосуз розеткасынан чыгарыңыз.

- Эт туурагыч муздаганына 50-60 минутага жакын (имараттын ичиндеги температурасы жогору болсо, электр мотору муздаганына көбүрөөк убакыт кетет) убакыт берип, андан кийин гана кайра иштетиңиз.
- Эт туурагычты электр тармагына кошуп, иштетиңиз, эт туурагыч иштебей турса, бул башка бузулуулары пайда болгонун белгилегени мүмкүн. Ошол учурда эт туурагычты өңдөтүү максатында кепилдик талонундагы же [www.vitek.ru](http://www.vitek.ru) сайтындагы тизмесине кирген автордоштурулган (ыйгарым укуктуу) тейлөө борборуна кайрылыңыз.

## ЭТ ТУУРАГЫЧТЫ ИШТЕТҮҮГӨ ДАЯРДОО

*Төмөндөгөн температурада шайманды транспорттоодон же сактоодон кийин аны үй сааттан кем эмес мөөнөткө үй температурасында сактоо зарыл.*

- Электр эт туурагычты таңгактан чыгарып, болгон таңгак материалдарын алып салып, корпусун нымдуу чүпүрөк менен сүртүп, андан кийин кургатып сүртүңүз.
- Болгон чечилме бөлүктөрүн (1, 2, 3, 8, 9, 10, 11, 12, 13, 14) нейтралдуу жуучу каражат менен жылуу сууга жууп, чайкап, кураштыруунун алдында жакшылап кургатып алыңыз.
- Шайманды биринчи иштеткенде чыңалуусу электр тармагынын чыңалуусуна ылайык болгонун текшерип алыңыз.

## ЭТ ТУУРАГЫЧТЫ ИШЕТҮҮНҮН НЕГИЗГИ ПРИНЦИПТЕРИ

- Эт туурагыч сөөгү жок этти турмуш-тирилик шарттарында гана иштетүүгө арналган.
- Шайманды куратырып, тегиз кургак беттин үстүнө орнотуңуз.
- Корпусундагы аба тешиктери тосулбаганын текшерип алыңыз.
- Кубаттуучу сайгычын электр розеткасына сайыңыз.
- Эт туурагычтын бөркүнүн (3) астына ылайыктуу идишти коюңуз.
- Эт толугу менен эригенин текшерип, болгон сөөктөрү менен ашыкча майын алып салып, этти азыктар үчүн идиштин (2) тешигине бош кире турган өлчөмүндөгү кубиктерге же узун кесимдерине кесип алыңыз.
- Которгучун (7) «ON» абалына коюп, шайманды иштетиңиз.



- Эtti эт туурагычтын бөркүнүн (3) оозуна түрткүчтүн (1) жардамы менен шашпай түртүп туруңуз. Шайманды иштетүү учурунда жабдыктын жыйынтыгына кирген түрткүчтү (1) гана колдонуңуз
- Азыктарды башкача буюмдар менен түртүүгө тыюу салынат, эtti бармагыңыз менен эч качан түртпөңүз.
- Эtti же башка азыктарды түрткөндө ашыкча күч салбаңыз.
- Эtti туураган мезгилде ал тыгылып калышы мүмкүн, тыгылган жерин бошотуу үчүн шнектин тескери айлануу функциясын пайдаланыңыз. Шнектин тескери айлануу режимин иштетүү үчүн которгучун (7) «OFF» абалына коюп эт туурагычты өчүрүп, андан кийин которгучун (7) «R» абалына бурап кармап туруңуз.
- Азыктарды токтоосуз иштетүү мөөнөтү 10 минутадан ашырбаганы зарыл.
- Эт туурагыч 10 минутанын ичинде токтоосуз иштегенинен кийин аны өчүрүп, муздаганына 15-20 минута мөөнөтүн берип, андан кийин иштетүүнү улантсаңыз болот.
- Иштетип бүткөндөн кийин которгучун (7) «OFF» абалына коюп, эт туурагычты электр тармагынан суруп, андан кийин гана ажыратып баштасаңыз болот.

## ЭТТИ ИШТЕТҮҮ

- Эт туурагычтын бөркүн (3) коюлуучу жайына (4) орнотуп, бөркүн (3) саат жебесинин багытына каршы бекитилгенине чейин бурап салыңыз (сүрөт 1, 2).
- Шнекти (8) эт туурагычтын бөркүнүн корпусуна (3) орнотуңуз (сүрөт 3).
- Крест сыяктуу бычакты (9) орнотуңуз (сүрөт 4).
- Панжаралардын керектүүсүн (10 же 11) таңдап, панжарадагы чыгып турган жерлерин эт туурагычтын бөркүнүн корпусундагы (3) оюктары менен дал келтирип аны бычактын үстүнө орнотуп, гайканы (12) бекитип салыңыз (сүрөт 5, 6).

## Көңүл буруңуз!

- **Бычакты кесүүчү жагын панжарага каратып орнотуңуз. Бычак туура эмес орнотулган болсо, ал тууроо функциясын аткарбайт.**
- **Чоңураак тешиктери бар панжарасы (11) чийки эт, жашылча-жемиш, курга-**

**тылган мөмө-жемиштерди, быштакты, балыкты ж.б. иштетүүгө ылайык.**

- **Майда тешиктери бар панжара (10) чийки же бышкан этти, балыкты ж.б. иштетүүгө ылайык.**

- Эtti эт туурагычтын бөркүнүн (3) оозуна азыктарды салуучу идишин (2) орнотуңуз.
- Которгучту (7) «ON» абалына коюп шайманды иштетиңиз.
- Шайманды иштетүү мезгилинде түрткүчтү (1) гана колдонуңуз (сүр. 7).

## Эскертүү:

- *Эtti иштетүү процессин жакшыртуу үчүн аны кубиктерге же узун кесимдерине туурап алыңыз. Тоңдурулган этти толугу менен эритүү зарыл.*
- *Шайманды иштетүү учурунда жабдыктын жыйынтыгына кирген түрткүчтү (1) гана колдонуңуз; азыктарды башкача буюмдар менен түртүүгө тыюу салынат, эtti бармагыңыз менен эч качан түртпөңүз.*
- Эт туурагычты иштетип бүткөндөн кийин которгучун (7) «OFF» абалына коюп, кубаттуучу сайгычын электр тармагынан суруп, андан кийин гана аны ажыратып баштасаңыз болот.
- Эт туурагычтын бөркүн (3) чечүү үчүн бекитме баскычын (5) басып, эт туурагычтын бөркүн (3) саат жебесинин багыты боюнча бурап, чечип салыңыз.
- Эт туурагычтын бөркүн ажыратуу үчүн гайканы (12) бурап бошотуп, коюлган панжарасын (10 же 11), бычагын (9) жана шнегин (8) чыгарыңыз.

## Колбаскаларды толтуруу

- Фаршты даярдап алыңыз.
- Эт туурагычтын бөркүн (3) коюлуучу жайына (4) орнотуңуз.
- Шнекти (8) эт туурагычынын бөркүнүн корпусуна (3) орнотуп, шнекке (8) крест сыяктуу бычакты (9), панжаралардын бирин (10 же 11), колбаскаларды толтуруу үчүн саптаманы (13) орнотуңуз (сүр. 8), андан соң гайканы (12) бурап бекитиңиз.
- Азыктар салуучу идишин (2) орнотуңуз.
- Даяр фаршты азыктар салуучу идиштин (2) ичине салыңыз.
- Колбаскаларды даярдоо үчүн табигый сыртын гана колдонуп, аны 10 минутага жылуу сууга алдын ала салып пайдаланыңыз.

# КЫРГЫЗ

- Жумушарган сыртын насадкасына (13) кийгизип, учун байлап алыңыз.
- Кубаттуучу сайгычын электр розеткасына сайыңыз.
- Которгучту (7) «ON» (иштетүү) абалына коюп шайманды иштетиңиз.
- Даяр фаршты берүү үчүн түрткүчтү колдонуңуз (1) (сүрөт 8), сырты толтурулуп турганына карата аны насадкасынан (13) жылдырып туруңуз, сырты кургап калган учурунда аны суугарып туруңуз.
- Эт туурагычты иштетип бүткөндөн кийин которгучун (7) «OFF» абалына коюп, кубаттуучу сайгычын электр тармагынан суруп, андан кийин гана аны ажыратып баштасаңыз болот.
- Эт туурагычтын бөркүн (3) чечүү үчүн бекитме баскычын (5) басып, эт туурагычтын бөркүн (3) саат жебесинин багыты боюнча бурап, чечип салыңыз.
- Гайканы (12) бошотуп, эт туурагычтын бөркүн (3) ажыратып салыңыз.

## «Кеббе» насадкасын колдонуу

Кеббе – ичи бош болгон түтүкчөлөрдүн негизин жасоо үчүн чогуу тууралган жаш коюдун этинен, буудай унунан, курчутмалардан жасалган Жакын Чыгыштагы салттуу тамагы. Түтүкчөлөр бир нерсе менен толтурулуп ысык майга кууруп бышырылат.

Түтүкчөлөрдү ар кандай нерселери менен толтуруп, башкача чүйгүндөрдү жасасаңыз болот.

Сырттын негизин даярданыңыз.

- Эт туурагычтын бөркүн (3) коюлуучу жайына (4) орнотуңуз.
- Эт туурагычтын корпусунун бөркүнө (3) шнекти (8) орнотуп, шнегине (8) «кеббе» насадкасын (14) орнотуңуз; насадкасындагы (14) чыгып турган жайлары эт туурагычтын корпусунун бөркүндөгү оюктары менен дал келтириңиз (сүрөт 9), гайканы (12) бурап бекитип салыңыз (сүрөт 10).
- Азыктар салуучу идишин (2) орнотуңуз.
- Даяр сырттын негизин азыктар салуучу идиштин (2) ичине салыңыз.
- Кубаттуучу сайгычын электр розеткасына сайыңыз.
- Которгучту (7) «ON» (иштетүү) абалына коюп шайманды иштетиңиз.
- Сырттын негизин берүү үчүн түрткүчтү колдонуңуз (1) (сүрөт 11).

- Түтүкчөлөрүн узундугу керектүү кылып кесип алыңыз.
- Эт туурагычты иштетип бүткөндөн кийин которгучун (7) «OFF» абалына коюп, кубаттуучу сайгычын электр тармагынан суруп, андан кийин гана аны ажыратып баштасаңыз болот.
- Эт туурагычтын бөркүн (3) чечүү үчүн бекитме баскычын (5) басып, эт туурагычтын бөркүн (3) саат жебесинин багыты боюнча бурап, чечип салыңыз.
- Гайканы (12) бошотуп, эт туурагычтын бөркүн ажыратып салыңыз.

## РЕЦЕПТ

### Ичине салуучу нерсе

*Кой эти 100 г*

*Зайтун майы 1,5 чоң кашык*

*Баш пияз (майда тууралган) 1,5 чоң кашык*

*Сиз жактырган курчутмалар*

*Туз 1/4 чай кашык*

*Ун 1 оң кашык же 1/2 чоң кашык*

- Кой этин эт туурагычтын жардамы менен бир же эки жолу майдалатуу зарыл.
- Баш пиязды саргарганына чейин майга кууруп бышырып, андан кийин майдаланган кой этин, курчутма, туз менен унду кошушат.

### Сырты

*Майсыз эт 450 г*

*Ун 150-200 г*

*Курчутмалар 1 чай кашык (жакканыңыздай)*

*Мускат жаңаагы 1 даана*

*Майдаланган кызыл мурч (жакканыңыздай)*

*Калемпир (жакканыңыздай)*

- Этти эт туурагычы менен үч жолу майдалатышат, мускат жаңаагын да майдалатып, болгон ингредиенттерин кошуп аралаштырышат.
- Сыртына көбүрөөк эт жана азыраак ун кошсо, бул даяр тамактын консистенциясы менен даамын жакшыртат.
- Даяр түтүкчөлөр толтурулуп, чекелери бекирилип, аларга керектүү формасы берилет.
- Түтүкчөлөр ысык майга кууруп бышырылат.

## ЭТ ТУУРАГЫЧТЫ КАРОО

- Эт туурагычты иштетип бүткөндөн кийин которгучун (7) «OFF» абалына коюп, кубаттуучу сайгычын электр тармагынан суруңуз.
- Бекитме баскычын (5) басып, эт туурагычтын бөркүн саат жебесинин багыты боюнча бурап, чечип салыңыз.

- Гайканы (12) бурап бошотуп, коюлган панжарасын (10 же 11), бычагын (9) жана шнегинен (8) чечиңиз.
- Шнекти (8) эт туурагычтын бөркүнөн (3) чыгарыңыз.
- Шнектен (8) азыктардын калдыктарын алып салыңыз.
- Болгон чечилме бөлүктөрүн (1, 2, 3, 8, 9, 10 же 11, 12, 13, 14) нейтралдуу жуучу каражат менен жылуу сууга жууп, чайкап, кураштыруунун алдында жакшылап кургатып алыңыз.
- Эт туурагычтын корпусун (6) бир аз нымдуу чүпүрөк менен сүртүп, андан кийин кургатып сүртүңүз.
- Эт туурагычтын корпусун (6) тазалоо үчүн абразивдүү жуучу каражаттарды же ар кыл эриткичтерди колдонууга тыюу салынат.
- Ар кыл суюктуктардын эт туурагычтын корпусунун ичине куюлуусуна жол бербейиз.
- Кургатылган бөлүктөрүн сактоо үчүн алып салуунун алдында панжаралары (10, 11) менен крест сыяктуу бычагын (9) өсүмдүк май менен майлап салыңыз – ошентип алар кычкылдануудан сак болот.

## САКТОО

- Эт туурагычты сактоого алып салуунун алдында анын корпусу менен болгон чечилме бөлүктөрү таза жана кургак болгонун текшерип алыңыз.
- Түзмөктү балдар жана жөндөмдүүлүгү чектелген адамдар колу жетпеген жерлерде сактаңыз.

## ЖАБДЫКТЫН ЖЫЙЫНТЫГЫ

Эт туурагыч – 1 даана.

Түрткүч – 1 даана.

Азыктарды салуучу идиши – 1 даана.

Панжаралары – 2 даана.

Колбаскаларды толтуруу насадкасы – 1 даана.

“Кеббе” жасоо үчүн насадкасы – 1 даана.

Колдонмо – 1 даана.

## ТЕХНИКАЛЫК МҮНӨЗДӨМӨСҮ

Азыктандыруу чыңалуусу: 220-240 В ~ 50 Гц  
Номиналдуу иштетүү кубаттуулугу: 250 Вт  
Максималдуу кубаттуулугу: 1700 Вт

## УТИЛИЗАЦИЯЛОО



Айлана чөйрөөнү коргоо максатында шайман менен азыктандыруучу элементтердин (эгерде топтомго кирсе) кызмат мөөнөтү бүткөндөн кийин турмуш-тиричилик калдыктары менен бирге таштабаңыз, шайман менен азыктандыруучу элементти андан ары утилизациялоо үчүн адистештирилген пункттарга бериңиз.

Шаймандарды утилизациялоодон пайда болгон калдыктарды милдеттүү түрдө чогултуп, андан соң белгиленген жолунда утилизациялоо зарыл. Бул шайманды утилизациялоо жөнүндө кошумча маалымат алуу үчүн жергиликтүү өкмөткө, турмуш-тиричилик калдыктарды утилизациялоо кызматына же бул шайманды алган дүкөнгө кайрылыңыз.

*Өңдүрүүчү шаймандардын жалпы иштөө принциптерине таасир этпеген дизайнерин, конструкциясын жана техникалык мүнөздөмөлөрүн алдын ала эскертпей өзгөртүү укугун сактайт, ошол себептен колдонмо менен шаймандын маанилүү эмес айырмачылыктар болуу мүмкүн. Колдонуучу ушундай келишпегендиктерди тапса, ал жөнүндө [info@vitek.ru](mailto:info@vitek.ru) электрондук почтасына жазып, шаймандын жаңырланган версиясын алса болот.*

## Шаймандын кызмат мөөнөтү – 3 жыл

### Кепилдик

Кепилдик берүү шарттары тууралуу толук маалыматтар буюмду саткан сатуучудан алууга болот. Кепилдик шарттарына ылайык талап кылып сатылган товарга чек же дүмүрчөктү көрсөтүү керек.

# ЕАС

**GB**

A production date of the item is indicated in the serial number on the technical data plate. A serial number is an eleven-unit number, with the first four figures indicating the production date. For example, serial number 0606xxxxxxx means that the item was manufactured in June (the sixth month) 2006.

**RUS**

Дата производства изделия указана в серийном номере на табличке с техническими данными. Серийный номер представляет собой одиннадцатизначное число, первые четыре цифры которого обозначают дату производства. Например, серийный номер 0606xxxxxxx означает, что изделие было произведено в июне (шестой месяц) 2006 года.

**KZ**

Бұйымның шығарылған мерзімі техникалық деректері бар кестедегі сериялық нөмірде көрсетілген. Сериялық нөмір он бір саннан тұрады, оның бірінші төрт саны шығару мерзімін білдіреді. Мысалы, сериялық нөмір 0606xxxxxxx болса, бұл бұйым 2006 жылдың маусым айында (алтыншы ай) жасалғанын білдіреді.

**UA**

Дата виробництва виробу вказана в серійному номері на табличці з технічними даними. Серійний номер представляє собою одинадцятизначне число, перші чотири цифри якого означають дату виробництва. Наприклад, серійний номер 0606xxxxxxx означає, що виріб був виготовлений в червні (шостий місяць) 2006 року.

**KG**

Буюм иштеп чыгарылган датасы сериялык номурунда техникалык маалыматтар жадыбалында көрсөтүлгөн. Сериялык номуру он бир орундуу сан болот, анын биринчи төрт саны өндүрүш датасын көрсөтөт. Мисалы, сериялык номуру 0606xxxxxxx болгон буюм 2006 жылдын июнинде (алтынчы айында) өндүрүлгөн.



ЗАПРЕЩЕНО УТИЛИЗИРОВАТЬ  
С БЫТОВЫМ МУСОРОМ.  
ОБРАТИТЕСЬ НА СООТВЕТСТВУЮЩИЙ  
ПУНКТ ПЕРЕРАБОТКИ ЭЛЕКТРИЧЕСКОГО  
И ЭЛЕКТРОННОГО ОБОРУДОВАНИЯ.